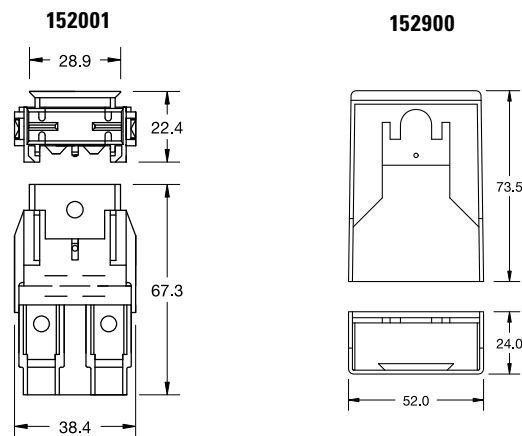


Blade Fuseholders - Fuseholder for MAXI™ Style Blade Fuse

RoHS



Dimensions in mm / Maße in mm



The In-Line Fuseholder provides an efficient, simple installation method for MAXI/ FK3-Style Fuse applications.

Der In-Line-Sicherungshalter ermöglicht eine effiziente, einfache Installation von MAXI/ FK3-Style -Sicherungen.

Part Number Artikel-Nr.	Description Beschreibung	Fuse Rating Sicherungs- Nennstrom
01520001TXN940	Assortiment: Fuseholder with screws and terminals - 10 pcs.	60 A
01520001TXN941	Assortiment: Fuseholder, Cover with screws and terminals - 10 pcs.	60 A

MAXI™ Components

Part Number Artikel-Nr.	Description Beschreibung	Fuse Rating Sicherungs-Nennstrom
01520001_	Fuse holder	60 A
01520900_	Cover	–
09130653_	Terminals for wire Ø 2.5 - 6 mm ²	–
09130654_	Terminals for wire Ø 5 - 10 mm ²	–
09130550_	Screws Ø 5.3 mm, M 5x8	–

Last figure of part number = packaging code, see Section "Packaging Index," pg. 157.