



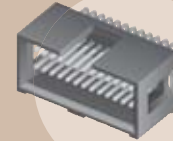
(1,27mm) .050"

TML SERIES



TML-125-02-G-D

TML-113-02-G-D-RA



TML-110-01-G-D

SHROUDED MICRO HEADER

SPECIFICATIONS

For complete specifications and recommended PCB layouts see www.samtec.com?TML

Insulator Material:

Black Liquid Crystal Polymer



Insulation Resistance:

5000 MΩ min

Terminal Material:

Phosphor Bronze



Plating:

Au or Sn over 50μ" (1,27μm) Ni

Current Rating:

1A

Operating Temp Range:

-55°C to +105°C with Tin; -55°C to +125°C with Gold

RoHS Compliant:

Yes

Processing:

Lead-Free Solderable:

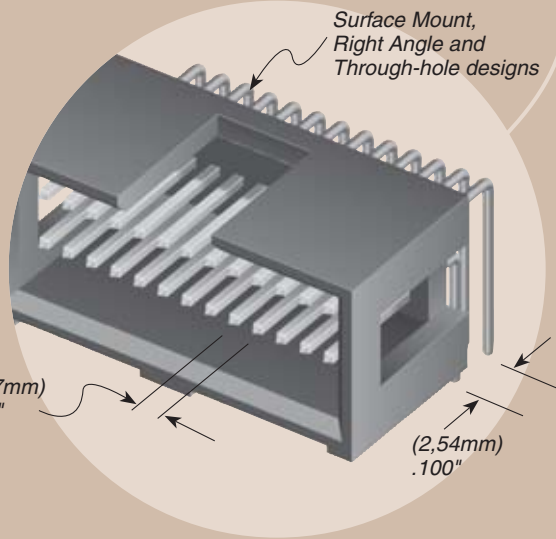
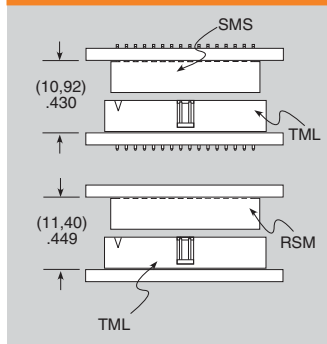
Yes

SMT Lead Coplanarity:

(0,15mm) .006" max

Mates with:
SMS, RSM

APPLICATIONS



TML	1	NO. PINS PER ROW	LEAD STYLE	PLATING OPTION	D	TAIL OPTION	OTHER OPTION								
			Specify LEAD STYLE from chart	<p>-L = 10μ" (0,25μm) Gold on post, Matte Tin on tail</p> <p>-G = 10μ" (0,25μm) Gold on post, Gold flash on tail</p>		<p>-RA = Right Angle</p> <p>-SM = Surface Mount (For locking clip add -LC)</p>	<p>- "XXX" = Polarized position (Specify position of omitted pin)</p>								
		<p>-05, -08, -10, -13, -17, -20, -25, -30, -32, -36, -40 (Call Samtec for other sizes)</p>		<p>Note: Other Gold plating options available. Contact Samtec.</p> <table border="1"> <thead> <tr> <th>LEAD STYLE</th> <th>POST HEIGHT (A)</th> </tr> </thead> <tbody> <tr> <td>-01</td> <td>(3,05) .120</td> </tr> <tr> <td>-02</td> <td>(5,84) .230</td> </tr> <tr> <td>-03</td> <td>(4,32) .170</td> </tr> </tbody> </table>	LEAD STYLE	POST HEIGHT (A)	-01	(3,05) .120	-02	(5,84) .230	-03	(4,32) .170		<p>Surface Mount</p> <p>Through-Hole</p> <p>Right Angle</p>	
LEAD STYLE	POST HEIGHT (A)														
-01	(3,05) .120														
-02	(5,84) .230														
-03	(4,32) .170														

Note: Some sizes, styles and options are non-standard, non-returnable.

Due to technical progress, all designs, specifications and components are subject to change without notice.

WWW.SAMTEC.COM