

# LED Dimmable Drivers

- Low & High Current *Programmable* LED Drivers
- 10~20W Power Rating

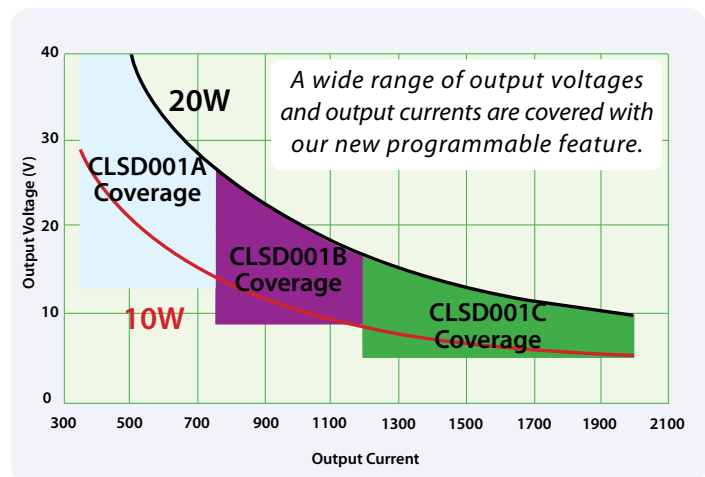
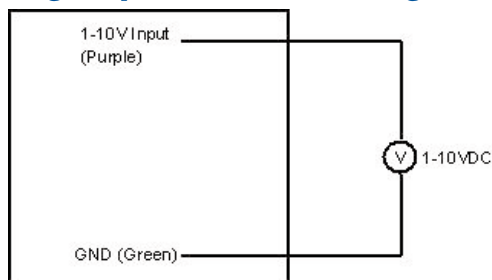
## Features:

- Programmable current and voltage levels can be adjusted prior to installation
- 0~10 Low Voltage Dimming Function
- Comprehensive protection against short-circuit, overvoltage, overload and over temperature
- IP66 rating for use in environments where dust or moisture is a concern
- High Efficiency



**Satisfying market requirements** for a single driver that would cover a wide range of currents and voltages, NMB Lighting introduces a new standard series of low and high current, LED dimmable programmable drivers. The new CLSD Series of LED drivers provides the unique ability to program the output current for your desired application. The flexible nature of the CLSD Series design platform facilitates rapid modification for a wide variety of customer specific applications. Additionally, current levels can be preset, adjusted during the development of the application, or prior to installation.

## Dimming Implementation Diagram



**NMB**  
LIGHTING

[www.nmbtc.com/lighting](http://www.nmbtc.com/lighting)

## LED Driver Programmable Output Current Coverage

LOW & HIGH CURRENT LED DRIVER - 10W~20W POWER RATING				
PART NUMBER	DC Voltage Output [Vdc]		Current Output [mA]	
	Min.	Max.	Min.	Max.
CLSD001A	13.3	42	350	750
CLSD001B	8.3	25	750	1200
CLSD001C	5	16	1200	2000

ELECTRICAL SPECIFICATIONS	
Input Voltage	90-277 (Typical 120 VAC/240 VAC)
Input Frequency	50/60Hz
Inrush Current	50A (Max)
Leakage Current	0.05mA (Max)
Input Power at No Load	3W (Max)
Input Power at Full Load	28W (Max)
Efficiency at Full Load	85%

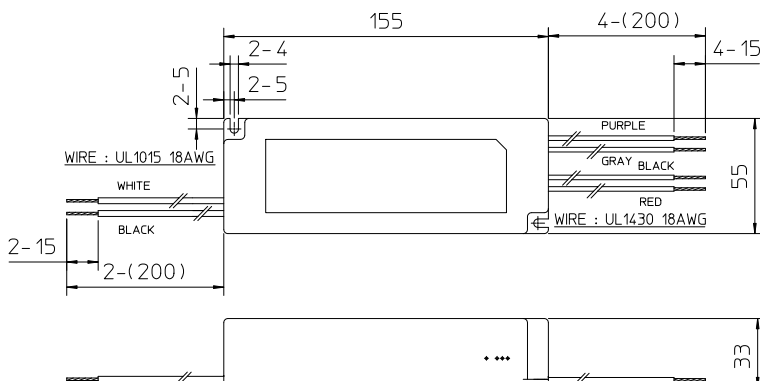
  

CONTROL & PROTECTION	
Current Limit	Programmable
Protection	Short Circuit / Overvoltage / Overtemperature

ENVIRONMENTAL, SAFETY & MECHANICAL SPECIFICATIONS		
CRITERIA	SPECIFICATION	REFERENCE
Power Factor	>0.9	
Harmonics	Class C	IEC 61000-3-2
Isolation Voltage	1500VAC	Minimum
Surge Immunity	Level 3	IEC 6100-4-5
Temperature (around case)	-20°C to 60°C	Operating
Storage Temperature	-40°C to 85°C	Non-Operating
Lifetime (hours)	40,000	Minimum
Weight	500g	Maximum
Ingress Protection	IP66	
Safety: UL	1310	Approved
CSA	C22.2 No. 223	Approved
EN	61347-1/61347-2-13	Approved
EMC	FCC Part 15 Class B / EN55015 / EN61547 / EN61000-3-2 / EN61000-3-3	Compliant
CE	EN55015 / EN61000-3-2 / EN61000-3-3 / EN61547	Compliant

### Mechanical Drawing



# NMB

## LIGHTING

NMB Technologies Corporation  
 A Minebea Group Company  
 Corporate Headquarters  
 9730 Independence Avenue  
 Chatsworth, California 91311  
 Tel: 818-341-3355 • Fax: 818-341-8207  
[lighting@nmbtc.com](mailto:lighting@nmbtc.com)  
[www.nmbtc.com](http://www.nmbtc.com)