



RM48 Hercules™ ARM® Safety MCU Development Kit (HDK)

USER GUIDE

Table of Contents

1.	Introduction	5
1.1	Scope of Document	5
1.2	RM48 HERCULES Development Kit (HDK) Features	5
1.3	HDK Board Block Diagram	6
1.4	RM48 HDK Contents	6
1.5	HDK Specifications	7
1.6	Basic Operation	7
1.7	Memory Map	7
1.8	Power Supply	8
2.	Physical Description	9
2.1	Board Layout	9
2.2	Connectors	9
2.2.1	20Pin ARM JTAG Header	10
2.2.2	Ethernet Interface	10
2.2.3	CAN Interface	11
2.2.4	J19, MIPI ETM Connector	12
2.2.5	J7, XDS100V2 USB JTAG Interface	13
2.2.6	P1, +12V Input	14
2.2.7	J18, USB Host Connector	14
2.2.8	J16, USB Device Connector	14
2.2.9	SCI Interface	15
2.2.10	Daughter Card Interface	15
2.3	LEDs	19
2.4	S2 DIP Switch	20
2.5	Jumpers	21
2.6	S4, Power On Reset Switch	21
2.7	S3, System Reset Switch	21
	Appendix A	22
	Schematics	22
	This appendix contains the schematics for the RM48 HDK board.	22
	Appendix B	37
	Operation Notices	37
1	Support Resources	37

Figure 1, RM48 HDK Board Block Diagram	6
Figure 2, RM48 HDK Board, Interfaces Top Side	9
Figure 3, J2, J3 Screw Terminal Block	11
Figure 4, J19, 60pin MIPI ETM Header	12
Figure 5, +12 Volt Input Jack	14
Figure 6, DIP Switch Settings	20

Table 1, RM48 Memory Map.....	7
Table 2, Power Test Points	8
Table 3, Connectors on HDK Board.....	10
Table 4, 20pin ARM JTAG Header.....	10
Table 5; J1, Ethernet Interface.....	11
Table 6, J19, MIPI Connector Signal Mapping.....	12
Table 7, J7, XDS100V2 USB JTAG Interface	13
Table 8, J14, USB Host Connector	14
Table 9, J16, USB Device Connector	14
Table 10, Expansion Connector P2 (J10, Right, TopView).....	15
Table 11, Expansion Connector P1 (J9, Left, TopView).....	16
Table 12, Expansion Connector P3 (J11, Bottom One, TopView).....	17
Table 13, Demo LEDs	19
Table 14, Other LEDs as Indicator	20
Table 15, S2 DIP Switch Functions.....	20
Table 16, Jumpers	21

About This Manual

This document describes the board level operations of the RM48 **Hercules Development Kit** (HDK). The HDK is based on the Texas Instruments RM48 Microcontroller. The RM48 HDK is a table top card that allows engineers and software developers to evaluate certain characteristics of the RM48 microcontroller to determine if the microcontroller meets the designer's application requirements as well as begin early application development. Evaluators can create software to execute on board or expand the system in a variety of ways.

Notational Conventions

This document uses the following conventions:

The RM48 HDK will sometimes be referred to as the RM48L HDK or HDK.

Program listings, program examples, and interactive displays are shown in a special italic typeface. Here is a sample program listing.

```
equations  
!rd = !strobe&rw;
```

Information About Cautions

This book may contain cautions.

This is an example of a caution statement.

A caution statement describes a situation that could potentially damage your software, or hardware, or other equipment. The information in a caution is provided for your protection. Please read each caution carefully.

Related Documents, Application Notes and User Guides

Information regarding this device can be found at the following Texas Instruments website:

<http://www.ti.com/hercules>

1. Introduction

This development kit provides a product-ready hardware and software platform for evaluating the functionality of the Texas Instruments RM48 microcontroller family. Schematics, list of materials, and PCB layout are available to ease hardware development and reduce time to market.

1.1 Scope of Document

This user guide will list the contents of the development kit, point out the features of the major components, and provide the instructions necessary to verify your development kit is in working order. Any additional usage instructions or details fall outside the scope of this document. Additional resources will be listed at the end of this user guide.

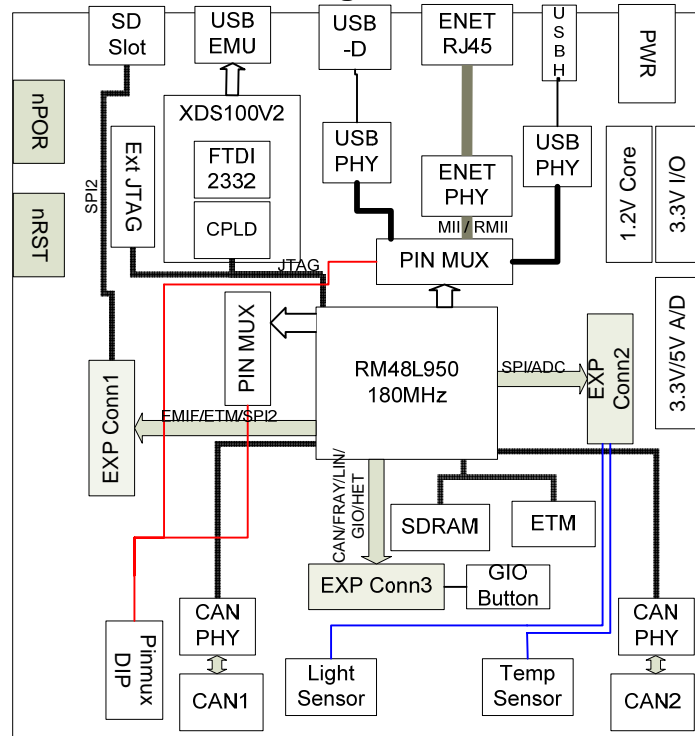
1.2 RM48 HERCULES Development Kit (HDK) Features

The HDK comes with a full complement of on board devices that suit a wide variety of application environments. Key features include:

- A Texas Instruments RM48L950 337-pin BGA microcontroller
- *On board* USB XDS100v2 JTAG emulator
- ARM 20-pin JTAG debug header for *external* JTAG emulator
- External emulator detection circuit
- 10/100 Mbps Ethernet interface
- One USB host, and one USB device
- Two DCAN Transceivers and screw terminal blocks
- One ambient light sensor
- One ambient temperature sensor
- SCI accessible through a USB Virtual Port (VCP)
- One 8MB SDRAM
- Eight user programmable LEDs (2 tri-color LEDs, and 6 white LEDs)
- One user programmable pushbutton
- Three expansion connectors for hardware prototyping and daughter card use
- Reset pushbuttons (nPOR and nRST)
- One SD card slot (SPI mode)
- Embedded trace macrocell (ETM) debug interface via MIPI connector
- Configurable pin mux options
- 5V and 3.3V ADC option jumper (configured 5V by default)
- Current measurement capability for 3.3V IO, 1.2V Core, 1.2V PLL, 3.3V or 5V ADC, and 3.3V VCCP.
- Power supply supporting 5V to 12V DC input

1.3 HDK Board Block Diagram

Figure 1 RM48 HDK Board Block Diagram



1.4 RM48 HDK Contents

The kit contains everything needed to develop and run applications for RM48 microcontrollers including:

Board

- RM48 Card

Cables and Accessories

- 12 volt power supply with power adapters for US, or Europe
- Type A to mini B USB cable for using on board XDS100V2 JTAG emulator
- Category-5 Ethernet cable
- Flashlight for light sensor demo

DVD Containing

- Texas Instruments' Code Composer Studio™ IDE (CCS)
- nowFlash™ Flash Programming Tools
- nowECC™ ECC Tool
- HALCoGen GUI-based device configuration and driver examples

- HET Co-Processor Assembler and Debug Environment (HET IDE)
- Quickstart application source code (blinky example CCS project)
- Complete documentation

1.5 HDK Specifications

- Board supply voltage: 5V–12V Vdc
- Board supply current: 130mA typ (fully active, CPU at 180 MHz)
- Dimensions: 4.90" x 4.30" x 0.85" (LxWxH)
- RoHS status: Compliant
- CE and FCC status: Compliant

1.6 Basic Operation

The HDK is designed to work with TI's Code Composer Studio and other ARM IDE development tools. The IDE communicates with the board through the embedded emulator or an external JTAG emulator. To start, follow the instructions in the Quick Start Guide to install Code Composer. This process will install all of the necessary development tools, documentation and drivers.

1.7 Memory Map

The RM48 family of MCUs have a large byte addressable address space. The memory map table shows the address space of a RM48 microcontroller on the left with specific details of how each region is used by the HDK on the right. By default, the internal memory sits at the beginning of the address space.

The SDRAM is mapped into CS0 space on the EMIF. CS2/3/4 are used for synchronous memory for example SRAM, NOR flash, NAND flash etc.

Table 1, RM48 Memory Map

Start Address	End Address	HDK
0x0000 0000	0x002F FFFF	Flash
0x0800 0000	0x0803 FFFF	RAM
0x0840 0000	0x0843 FFFF	RAM-ECC
0x6000 0000	0x63FF FFFF	CS2 Async RAM
0x6400 0000	0x67FF FFFF	CS3 Async RAM
0x6800 0000	0x7BFF FFFF	CS4 Async RAM
0x8000 0000	0x87FF FFFF	CS0 Sync SDRAM

1.8 Power Supply

The HDK board operates from a single +12V external power supply connected to the main power input (P1), a 2.5 mm, barrel-type plug. Internally, the +12V input is converted into +1.2V, +3.3V and +5.0V using Texas Instruments swift voltage regulators and PTH power module. The +1.2V supply is used for the MCU core while the +3.3V supply is used for the MCU's I/O buffers and other module on the board. The +5.0 volt supply is used for ADC power (2nd option) and USB VBUS.

There are multiple power test points on the HDK board. The three main test point pairs provide a convenient mechanism to check the HDK's current for each supply. The table below shows the voltages for each test point and what the supply is used for.

Table 2, Power Test Points

Test Point Pair	Voltage	Voltage Use
TP14 and TP15	1.2V	MCU core
TP16 and TP17	3.3V	MCU IO and logic
TP18 and TP19	1.2V	MCU PLL
TP20 and TP21	3.3V	MCU Flash pump
TP22 and TP23	3.3V or 5.0V (J8 to enable 5V)	MCU MibADC, and ADREFHI

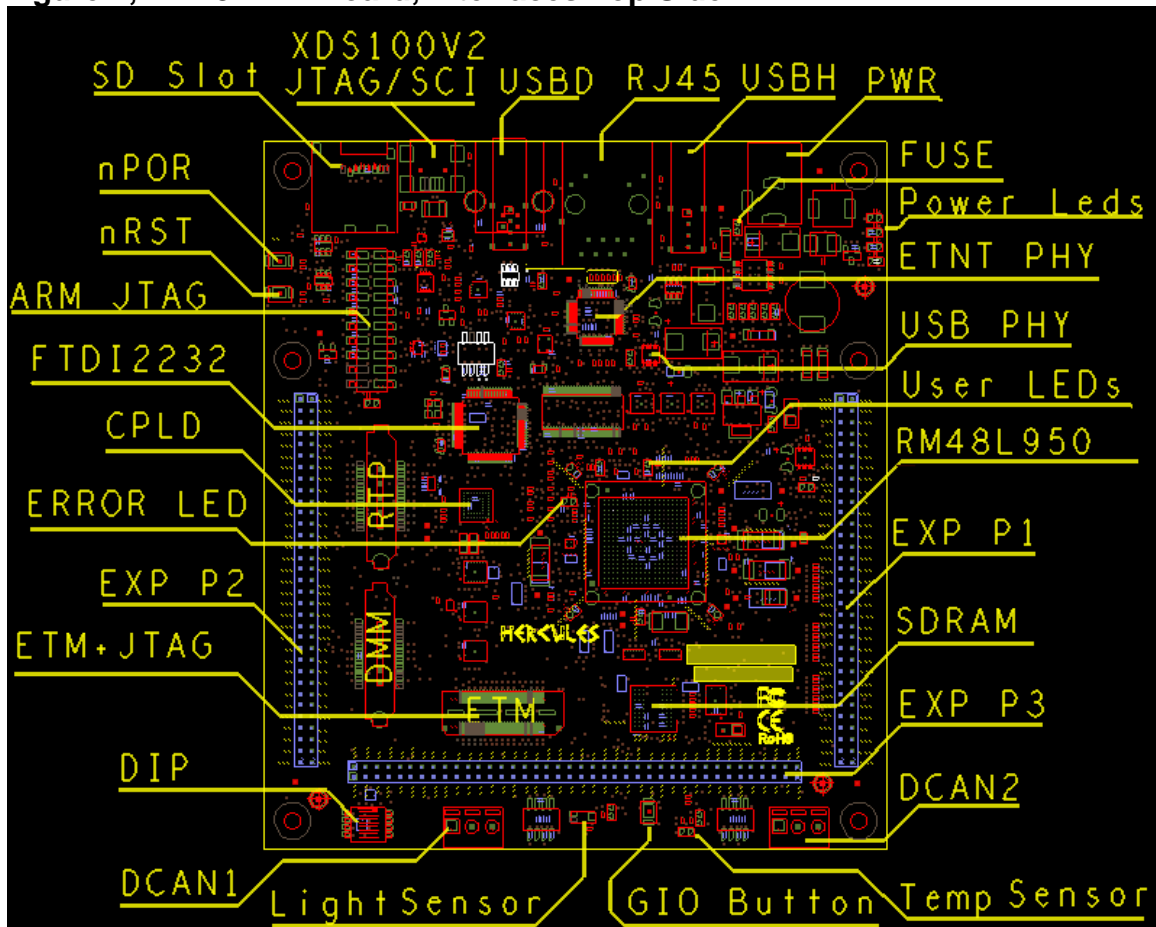
2. Physical Description

This chapter describes the physical layout of the RM48 HDK board and its interfaces.

2.1 Board Layout

The RM48 HDK board is a 4.9 x 4.3 inch (125 x 109 mm.) eight (8) layer printed circuit board which is powered by an external +12 volt only power supply. Figure 2 shows the layout of the RM48 HDK board.

Figure 2, RM48 HDK Board, Interfaces Top Side



2.2 Connectors

The HDK board has twenty nine (29) interfaces to various peripherals. These interfaces are described in the following sections.

Table 3, Connectors on HDK Board

Connector	Size	Function
J1	RJ45	Ethernet
J2	3 terminal, 2.54mm	DCAN1
J3	3 terminal, 2.54mm	DCAN2
J4	10x2, 2.54mm	ARM 20pin JTAG header
J6	19x2, mictor	RTP
J7	4pin, Mini-B USB	XDS100V2 USB
J9	33x2, 2mm	Exp P1, SPI1, SPI5, ADC
J10	33x2, 2mm	EXP P2, SPI2, EMIF, ECLK
J11	40x2, 2mm	EXP P3, SPI3, GIO, NHET, DCAN, LIN
J12	19x2, mictor	DMM
J15		SD card
J16	4pin, Type B	USB Device
J18	4pin, Type A	USB Host
J19	30x2, MIPI	ETM MIPI Header
P1	2.5mm	+12V In

2.2.1 20Pin ARM JTAG Header

In addition to on board XDS100V2 JTAG. One 20pin ARM JTAG header is added for using external emulator. This is the standard interface used by JTAG emulators to interface to ARM microcontrollers. The pinout for the connector is shown in the figure.

Table 4, 20pin ARM JTAG Header

Signal Name	Pin#	Pin#	Signal Name
Vref	1	2	VCC
nTRST	3	4	GND
TDI	5	6	GND
TMS	7	8	GND
TCK	9	10	GND
RTCK	11	12	GND
TDO	13	14	GND
nRST	15	16	GND
NC	17	18	GND
NC	19	20	GND

2.2.2 Ethernet Interface

Several configurations of the RM48 series integrate an Ethernet MAC on chip. Please consult the family datasheets for availability. This interface is routed to the on board PHY via CBT switches. The board uses a DP83640 PHY. The interface is isolated and brought out to an RJ-45 connector with integrated magnetics, J1. The pinmux control DIP S2 is used to control the CBT FET switch for RMI, MII or other functions.

The J1 connector is used to provide a 10/100 Mbps Ethernet interface. This is a standard RJ-45 connector. The cable end pinout for the J1 connector is shown in the table below.

Table 5; J1, Ethernet Interface

Pin #	Signal	Pin #	Signal
1	D0+	2	D0-
3	D1-	4	D2+
5	D2-	6	D1-
7	D3+	8	D3-

Two LEDs are embedded into the connector to report link status (green LED) and transmit/receive status of the PHY (yellow LED).

2.2.3 CAN Interface

The RM48 has up to three DCAN interfaces which provide a high speed serial interface. Two 3 pin screw terminal blocks, J2, J3, are used to interface to the DCAN bus. The pinouts for this connector are shown in the figure below. H means CAN High (CAN H), and L means CAN Low (CAN L).

Figure 3, J2, J3 Screw Terminal Block



2.2.4 J19, MIPI ETM Connector

The following figure and table show the 60 pin MIPI header.

Figure 4, J19, 60pin MIPI ETM Header

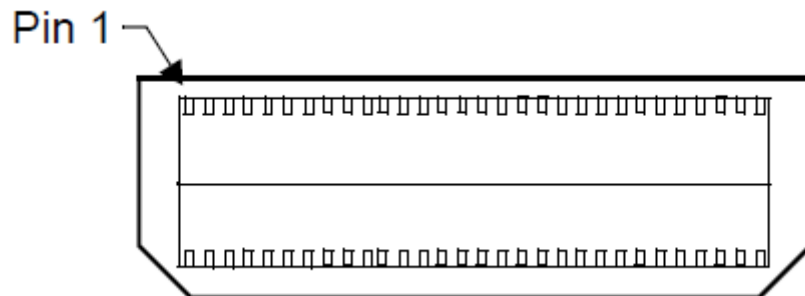


Table 6, J19, MIPI Connector Signal Mapping

MCU Signals	Pin#	Pin#	MCU Signals
3.3V	1	2	TMS
TCK	3	4	TDO
TDI	5	6	System reset
RTCK	7	8	nTRST
NC	9	10	NC
NC	11	12	3.3V
ETMTACECLKOUT	13	14	NC
To GND thru 0 W	15	16	GND
EMTTRACECTL	17	18	ETMDATA[19]
ETMDATA[0]	19	20	ETMDATA[20]
ETMDATA[1]	21	22	ETMDATA[21]
ETMDATA[2]	23	24	ETMDATA[22]
ETMDATA[3]	25	26	ETMDATA[23]
ETMDATA[4]	27	28	ETMDATA[24]
ETMDATA[5]	29	30	ETMDATA[25]
ETMDATA[6]	31	32	ETMDATA[26]
ETMDATA[7]	33	34	ETMDATA[27]
ETMDATA[8]	35	36	ETMDATA[28]
ETMDATA[9]	37	38	ETMDATA[29]

ETMDATA[10]	39	40	ETMDATA[30]
ETMDATA[11]	41	42	ETMDATA[31]
ETMDATA[12]	43	44	NC
ETMDATA[13]	45	46	NC
ETMDATA[14]	47	48	NC
ETMDATA[15]	49	50	NC
ETMDATA[16]	51	52	NC
ETMDATA[17]	53	54	NC
ETMDATA[18]	55	56	NC
GND	57	58	GND
NC	59	60	NC

2.2.5 J7, XDS100V2 USB JTAG Interface

The USB connector J7 is used to connect to the host development system which is running the software development IDE (CCS). The signals on this connector are shown in the table below.

Table 7, J7, XDS100V2 USB JTAG Interface

Pin #	Signal Name
1	USBVDD
2	D-
3	D+
4	NC
5	USBVSS

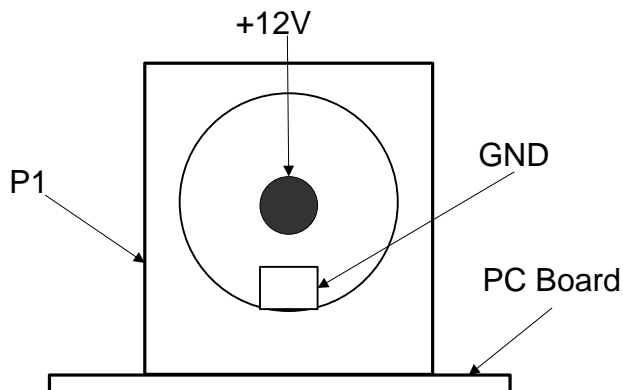
Before the board is shipped, the FTDI port1 is configured as JTAG, and port2 is configured as SCI. The CPLD is also programmed to route FTDI JTAG to MCU JTAG.

The HDK features circuitry to detect the external JTAG emulator. If a device is plugged onto the header J4 and J19, the DS1 LED will be turned on, and XDS100V2 JTAG is disabled.

2.2.6 P1, +12V Input

Connector P1 is the input power connector. This connector brings in +12 volts to the HDK Board. This is a 2.5 mm. jack. The figure below shows this connector as viewed from the card edge.

Figure 5, +12 Volt Input Jack



2.2.7 J18, USB Host Connector

Connector J18 is a type-A USB host connector. RM48 device supports two OHCI ports. OHCI0 signals are pinmuxed with SPI, NHET, and GIO etc. To use OHCI0, the channel 1 of dip switch S2 has to be set to “ON”. OHCI provides 5V VBUS through power switch U12.

Table 8, J14, USB Host Connector

Pins	Signal
1	USB_VBUS
2	USB_DM
3	USB_DP
4	GND

2.2.8 J16, USB Device Connector

Connector J16 is a type-B USB device connector. RM48 device has 1 W2FC module. To use W2FC, the channel 3 of dip switch S2 has to be set to “ON”.

Table 9, J16, USB Device Connector

Pins	Signal
1	USB_VBUS
2	USB_DM
3	USB_DP
4	GND

2.2.9 SCI Interface

The internal SCI on the RM48 device is routed to the 2nd port of FTDI chip. The FTDI USB driver makes the FT2232H 2nd channel appear as a virtual COM port (VCP). This allows the user to also have standard PC serial communications with the HDK using the same USB interface as the on-board emulator

2.2.10 Daughter Card Interface

The HDK provides expansion connectors that can be used to accept plug-in daughter cards. The daughter card allows users to build on their EVM platform to extend its capabilities and provide customer and application specific I/O. The expansion connectors are for all major interfaces including asynchronous memory, peripherals, and A/D expansion.

The pin outs for this interface are documented in Chapter 3. There are three daughter card interfaces, J9, J10, J11. These connectors are described in the table below.

Table 10, Expansion Connector P2 (J10, Right, TopView)

Signal Name	Pin#	No.		Pin#	Signal Name
EXP_12V		1	2		GND
EXP_12V		3	4		GND
MibSPI1ENA	G19	5	6	F18	MibSPI1CLK
MibSPI1CS[1]	F3	7	8	R2	MibSPI1CS[0]
MibSPI1CS[3]	J3	9	10	G3	MibSPI1CS[2]
MibSPI1SIMO	F19	11	12	G18	MibSPI1SOMI
GND		13	14		GND
MibSPI5ENA	H18	15	16	H19	MibSPI5CLK
MibSPI5CS[1]	B6	17	18	E19	MibSPI5CS[0]
MibSPI5CS[3]	T12	19	20	W6	MibSPI5CS[2]
MibSPI5SIMO[0]	J19	21	22		MibSPI5SOMI[0]
MibSPI5SIMO[1]	E16	23	24	E17	MibSPI5SOMI[1]
MibSPI5SIMO[2]	H17	25	26	H16	MibSPI5SOMI[2]
MibSPI5SIMO[3]	G17	27	28	G16	MibSPI5SOMI[3]
GND		29	30		GND

Signal Name	Pin#	No.		Pin#	Signal Name
AD1IN[1]	V17	31	32	W14	AD1IN[0]
AD1IN[3]	T17	33	34	V18	AD1IN[2]
AD1IN[5]	R17	35	36	U18	AD1IN[4]
AD1IN[7]	V14	37	38	T19	AD1IN[6]
GND		39	40		GND
AD2IN[1]	U13	41	42	V13	AD2IN[0]
AD2IN[3]	U16	43	44	U14	AD2IN[2]
AD2IN[5]	T15	45	46	U15	AD2IN[4]
AD2IN[7]	R16	47	48	R19	AD2IN[6]
AGND		49	50		GND
AD1IN[9]	W17	51	52	P18	AD1IN[8]
AD1IN[11]	U19	53	54	U17	AD1IN[10]
AD1IN[13]	T18	55	56	T16	AD1IN[12]
AD1IN[15]	P19	57	58	R18	AD1IN[14]
GND		59	60		POR_RSTn
ADREFHI	V15	61	62	V16	ADREFLO
AD1EVT	N19	63	64	V10	AD2EVT
EXP_12V		65	66		GND

Table 11, Expansion Connector P1 (J9, Left, TopView)

Signal Name	Pin#	No.		Pin#	Signal Name
EXP_12V		1	2		GND
ECLK	A12	3	4	B14	ERRORn
RST		5	6	M17	EMIF_CS[4]
EMIF_ADDR[21]	C17	7	8	C16	EMIF_ADDR[20]
EMIF_ADDR[19]	C15	9	10	D15	EMIF_ADDR[18]
EMIF_ADDR[17]	C14	11	12	D14	EMIF_ADDR[16]
EMIF_ADDR[15]	C13	13	14	C12	EMIF_ADDR[14]
EMIF_ADDR[13]	C11	15	16	C10	EMIF_ADDR[12]
EMIF_ADDR[11]	C9	17	18	C8	EMIF_ADDR[10]

Signal Name	Pin#	No.		Pin#	Signal Name
EMIF_ADDR[9]	C7	19	20	C6	EMIF_ADDR[8]
EMIF_ADDR[7]	C5	21	22	C4	EMIF_ADDR[6]
EMIF_ADDR[5]	D9	23	24	D8	EMIF_ADDR[4]
EMIF_ADDR[3]	D7	25	26	D6	EMIF_ADDR[2]
EMIF_ADDR[1]	D5	27	28	D4	EMIF_ADDR[0]
GND		29	30		GND
EMIF_Wen	D17	31	32	K17	EMIF_CS[3]
EMIF_Oen	D12	33	34	L17	EMIF_CS[2]
EMIF_BA[1]	D16	35	36	D11	EMIF_DQMn[1]
EMIF_BA[0]	D13	37	38	D10	EMIF_DQMn[0]
GND		39	40		GND
EMIFDATA[1]	L16	41	42	K16	EMIFDATA[0]
EMIFDATA[3]	N16	43	44	M16	EMIFDATA[2]
EMIFDATA[5]	F4	45	46	E4	EMIFDATA[4]
EMIFDATA[7]	K4	47	48	G4	EMIFDATA[6]
EMIFDATA[9]	M4	49	50	L4	EMIFDATA[8]
EMIFDATA[11]	P4	51	52	N4	EMIFDATA[10]
EMIFDATA[13]	T6	53	54	T5	EMIFDATA[12]
EMIFDATA[15]	T8	55	56	T7	EMIFDATA[14]
GND		57	58		GND
SPI2_SOMI	D2	59	60	P3	EMIF_nWAIT
SPI2_SIMO	D1	61	62	D3	SPI2_CS1
SPI2_CS0	N3	63	64	E2	SPI2_CLK
EXP_12V		65	66		GND

Table 12, Expansion Connector P3 (J11, Bottom One, TopView)

Signal Name	Pin#	No.	No.	Pin#	Signal Name
EXP_12V		1	2		GND
EXP_12V		3	4		GND
LINRX	A7	5	6	B7	LINTX

Signal Name	Pin#	No.	No.	Pin#	Signal Name
CAN1RX	B10	7	8	A10	CAN1TX
CAN2RX	H1	9	10	H2	CAN2TX
CAN3RX	M19	11	12	M18	CAN3TX
Reserved	A15	13	14	A8	Reserved
Reserved	B15	15	16	B8	Reserved
Reserved	B16	17	18	B9	Reserved
GIOA[1]	C2	19	20	A5	GIOA[0]
GIOA[3]	E1	21	22	C1	GIOA[2]
GIOA[5]	B5	23	24	A6	GIOA[4]
GIOA[7]	M1	25	26	H3	GIOA[6]
GIOB[1]	K2	27	28	M2	GIOB[0]
GIOB[3]	W10	29	30	F2	GIOB[2]
GIOB[5]	G2	31	32	G1	GIOB[4]
GIOB[7]	F1	33	34	J2	GIOB[6]
GND		35	36		GND
NHET1[1]	V2	37	38	K18	NHET1[0]
NHET1[3]	U1	39	40	W5	NHET1[2]
NHET1[5]	V6	41	42	B12	NHET1[4]
NHET1[7]	T1	43	44	W3	NHET1[6]
NHET1[9]	V7	45	46	E18	NHET1[8]
NHET1[11]	E3	47	48	D19	NHET1[10]
NHET1[13]	N2	49	50	B4	NHET1[12]
NHET1[15]	N1	51	52	A11	NHET1[14]
NHET1[17]	A13	53	54	A4	NHET1[16]
NHET1[19]	B13	55	56	J1	NHET1[18]
NHET1[21]	H4	57	58	P2	NHET1[20]
NHET1[23]	J4	59	60	B3	NHET1[22]
NHET1[25]	M3	61	62	P1	NHET1[24]
NHET1[27]	A9	63	64	A14	NHET1[26]
NHET1[29]	A3	65	66	K19	NHET1[28]

Signal Name	Pin#	No.	No.	Pin#	Signal Name
NHET1[31]	J17	67	68	B11	NHET1[30]
GND		69	70		GND
MibSPI3CS[3]	C3	71	72	B2	MibSPI3CS[2]
MibSPI3SIMO	W8	73	74	V8	MibSPI3SOMI
MibSPI3CS[1]	V5	75	76	V10	MibSPI3CS[0]
MibSPI3ENA	W9	77	78	V9	MibSPI3CLK
EXP_12V		79	80		GND

2.3 LEDs

The RM48 HDK board has nineteen (19) LEDs. Eight of these LEDs (Table 13) are under user control: seventeen are white LEDs and two are tri-color LEDs. Those LEDs are controlled and programmed by NHET signals.

LEDs DS2, DS3, DS4, and DS5 indicate the presence of the power (+1.2V, +5V, 3.3V, and 12V) s on the board. The LED functions are summarized in the table below.

Table 13, Demo LEDs

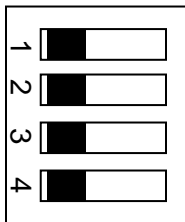
LED#	Location	Signals	Color
D3	Left Top	NHET1[17]	White
D4	Top	NHET1[31]	White
D5	Right Top	NHET1[0]	White
D6	Right Bottom	NHET1[25]	White
D7	Bottom	NHET1[18]	White
D8	Left bottom	NHET1[29]	White
LED1 (Tri-color)	Left	NHET1[16] NHET1[27] NHET1[04]	Red Blue Green
LED2 (Tri-color)	Right	NHET1[20] NHET1[05] NHET1[02]	Red Blue Green

Table 14, Other LEDs as Indicator

Num	LED	Color
D1	nERROR	RED
D10	XDS100V2 SCI RX	Blue
D11	XDS100V2 SCI TX	Blue
D12	XDS100V2 PWRENn	Blue
D2	JTAG TDI	Blue
D9	Ethernet Speed	Blue
DS1	ARM JTAG Plugin	Blue
DS2	VCC_1V2	Blue
DS3	VCC_5V	Blue
DS4	VCC_3V3	Blue
DS5	VCC_12V	Blue

2.4 S2 DIP Switch

There is one 4-position DIP switches located on the left-bottom corner at reference designator S2. By default, all of the switches are set to the “OFF” position and should remain in that position when completing the steps in this user guide.

Figure 6, DIP Switch Settings

The S2 DIP switch is reserved for user applications. Table 15 describes the function of each channel on S2.

Table 15, S2 DIP Switch Functions

Switch	OFF Position	ON Position
S2:1*	USB Host0 Disabled	USB Host0 Enabled
S2:2	USB Host1 Disabled	USB Host1 Enabled
S2:3	USB Device Disabled	USB Device Enabled
S2:4	Ethernet Disabled	Ethernet Enabled

*Note: S2:1 indicates slide 1 on the S2 DIP switch, S2:2 indicates slide 2 on the S2 DIP switch, and so on.

2.5 Jumpers

HDK board has two (2) jumpers which are used to enable/disable the on-board SDRAM and select 5V or 3.3V ADC as such:

Table 16, Jumpers

Jumper #	Off	On
J8	5V ADC	3.3V ADC
J13	SDRAM on	SDRAM Off

2.6 S4, Power On Reset Switch

Switch S4 is a momentary switch that asserts power on reset to the RM48 device. The POR condition is intended to reset all logic on the device including the test/emulation circuitry.

RM48 MCU has two resets: Warm Reset (nRST) and Power On Reset (nPORRST). The POR can be invoked by pushing POR_RESET button, or by RESET signals from XDS100 CPLD, ARM JTAG SREST, or MIPI connector.

2.7 S3, System Reset Switch

Switch S3 to assert a warm reset the RM48 device. However, a warm reset does not reset any on-chip test or emulation logic. The reset signal from the windowed watchdog will also assert a warm reset to MCU.

Appendix A

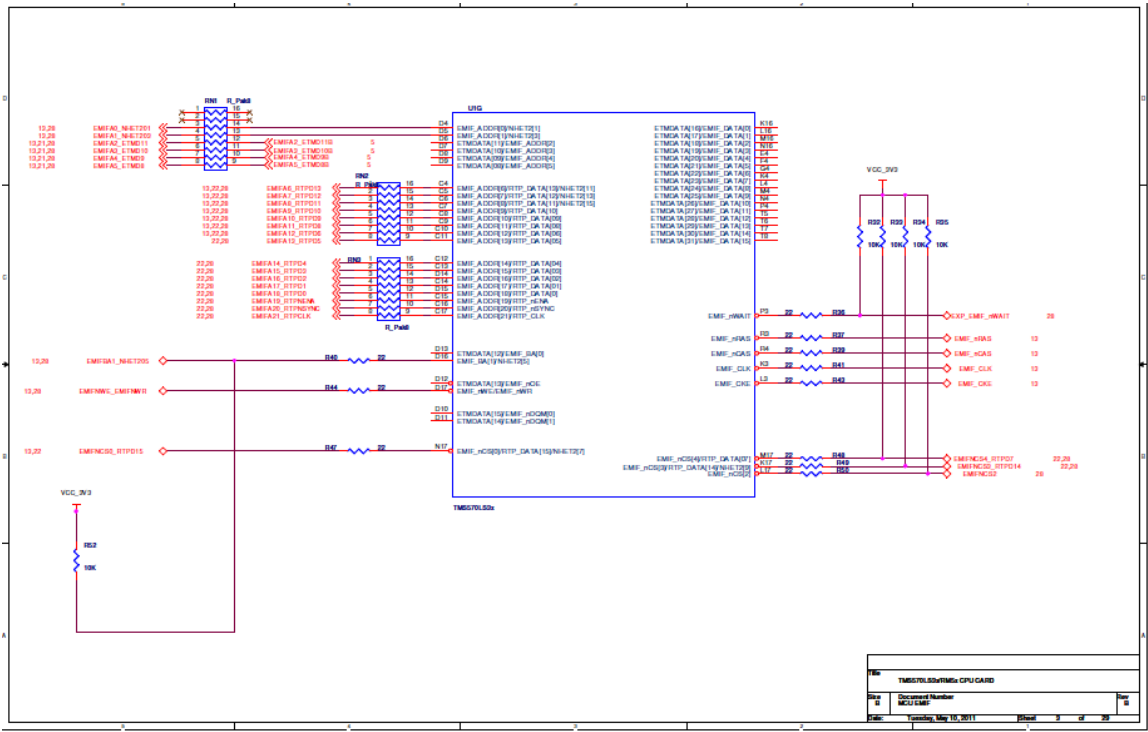
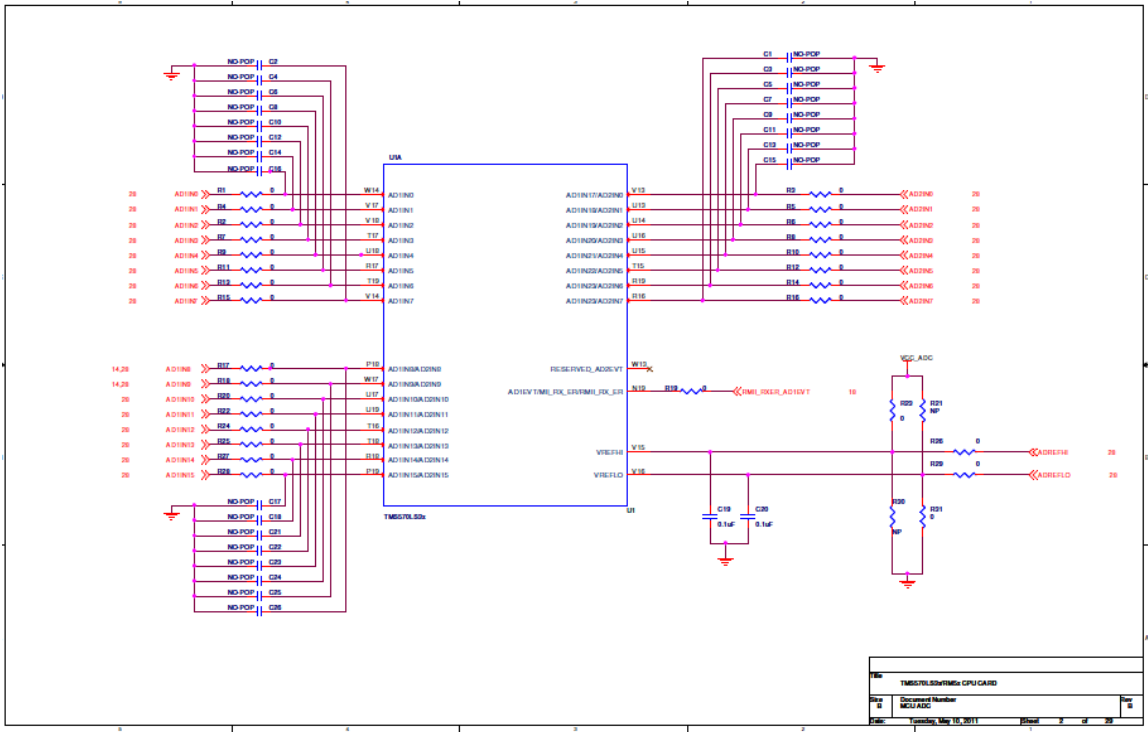
Schematics

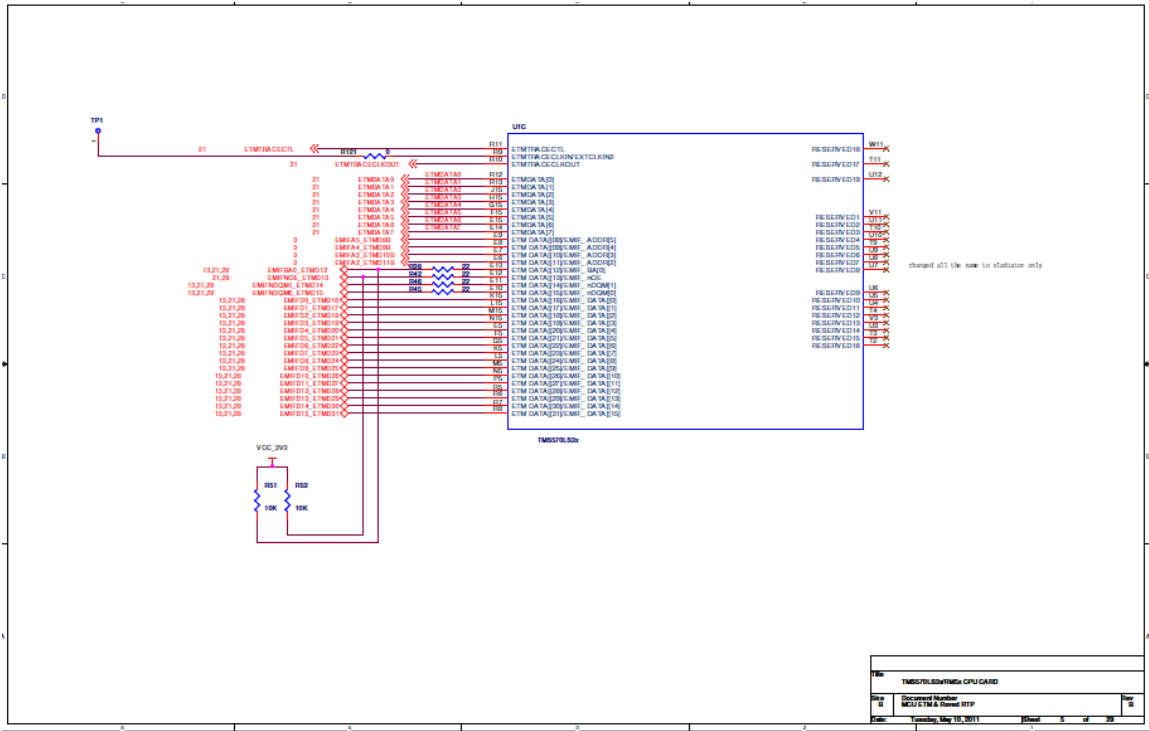
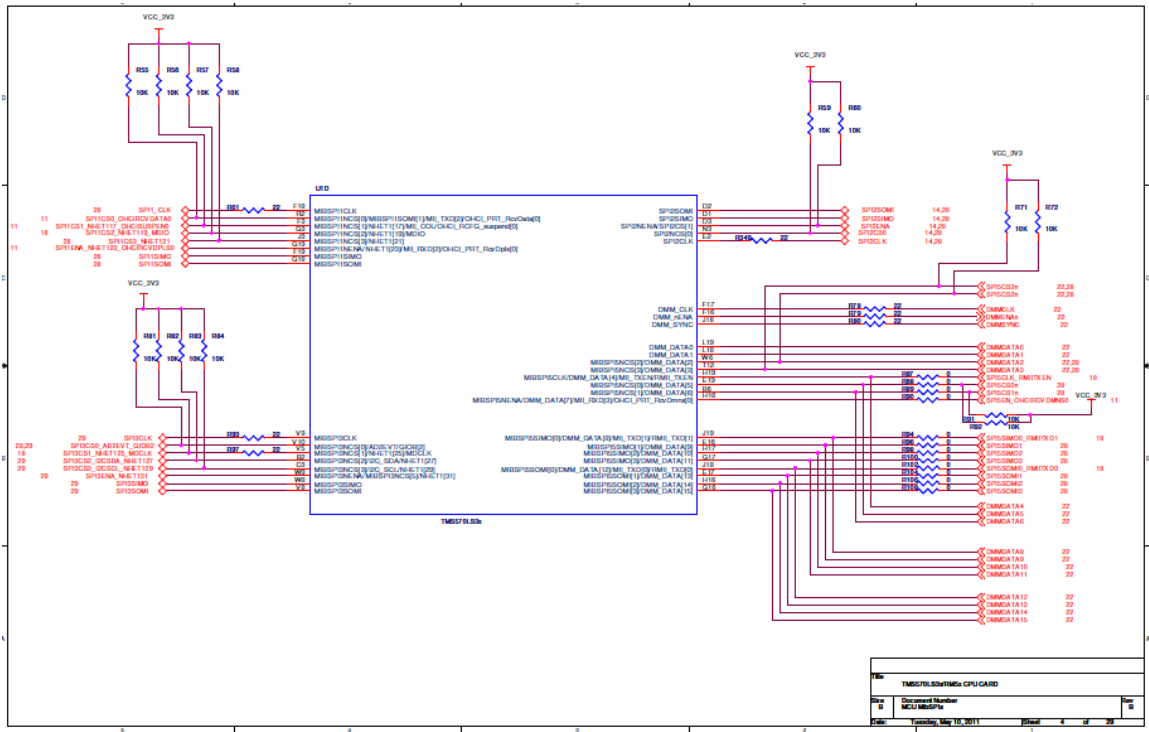
This appendix contains the schematics for the RM48 HDK board.

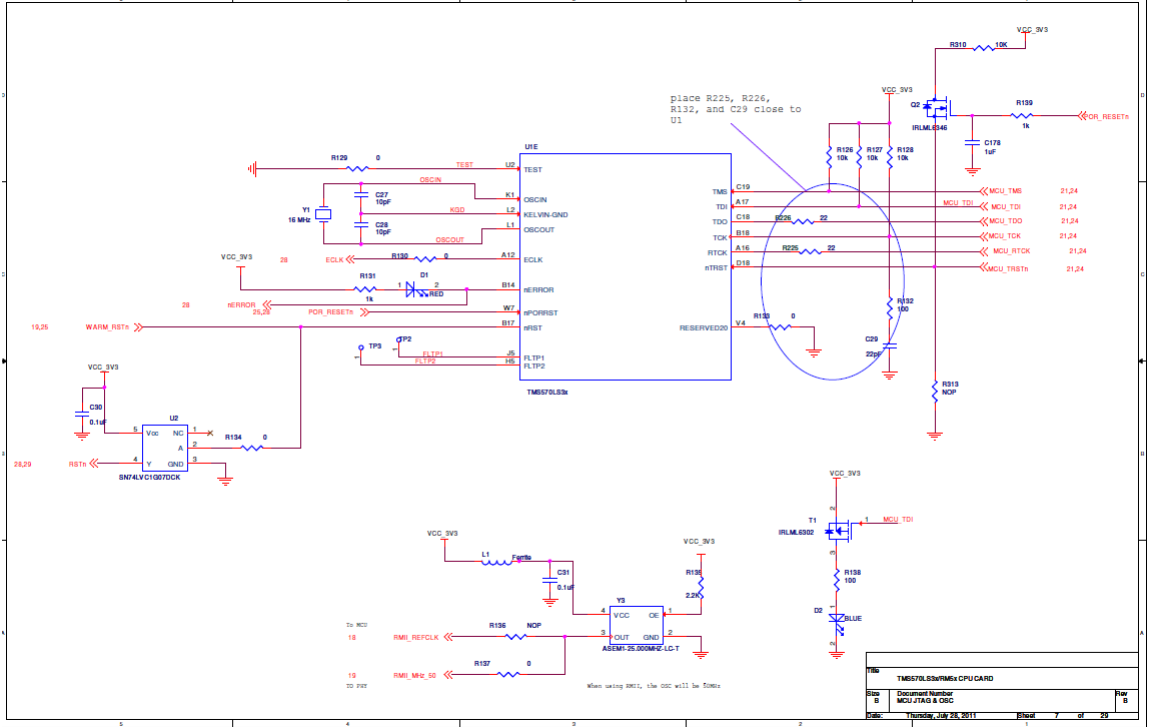
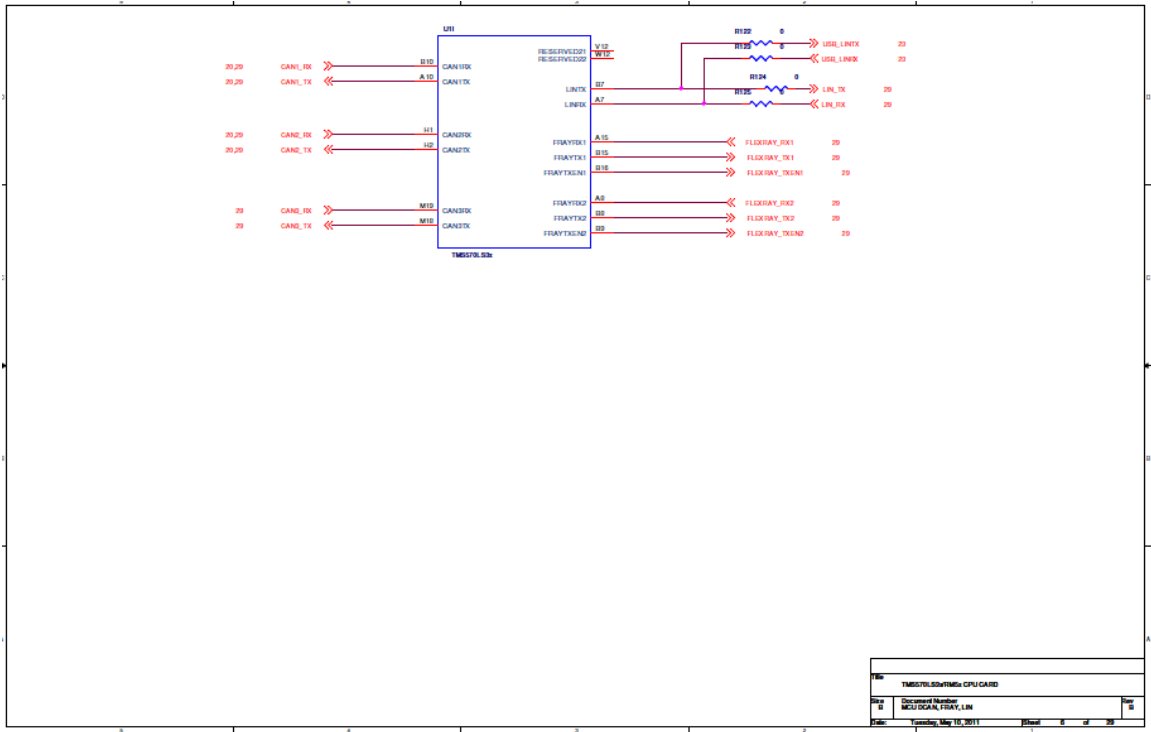
NOTES, UNLESS OTHERWISE SPECIFIED:		SCHEMATIC CONTENTS	
1.	RESISTANCE VALUES IN OHMS.	01	TITLE SHEET
2.	CAPACITANCE VALUES IN MICROFARADS.	02	MCU ADC
3.	REFERENCE DESIGNATORS USED:	03	MCU EMIF
4.	ALL 0.1 uF AND 0.01uF CAPACITORS ARE DECOUPLING CAPS UNLESS OTHERWISE NOTED. THEY ARE SHOWN ON THE PAGE WITH THE INTEGRATED CIRCUITS THEY SHOULD BE PLACED NEAR.	04	MCU SPI
5.	NHET1xx means NHET1_[xx].	05	MCU ETM
6.	OBSERVE THE LAYOUT NOTES IN SCHEMATIC.	06	MCU DCAN, FLEXRAY, and LIN
		07	MCU JTAG and OSC
		08	MCU NHET
		09	MCU GPIO
		10	MCU Power & GND
		11	FETSwitches for 1st USB
		12	EMIF Addr/ETM/RTP
		13	SDRAM
		14	Sensors, LEDs, and Pushbutton
		15	FET Switches for 2nd USB
		16	USB 1st OHCI Host
		17	USB device and 2nd OHCI Host
		18	FET Switch for RMII and DIP Switch
		19	Ethernet PHY & Connector
		20	CAN Transceivers
		21	JTAG and MIPI ETM Connector
		22	DMM and RTP Mictor Connectors
		23	XD100V2 FTDI2232
		24	XDS100V2 CPLD
		25	RESET
		26	Power Supply
		27	Power Inut
		28	EXP P1 and EXP P2
		29	EXP P3

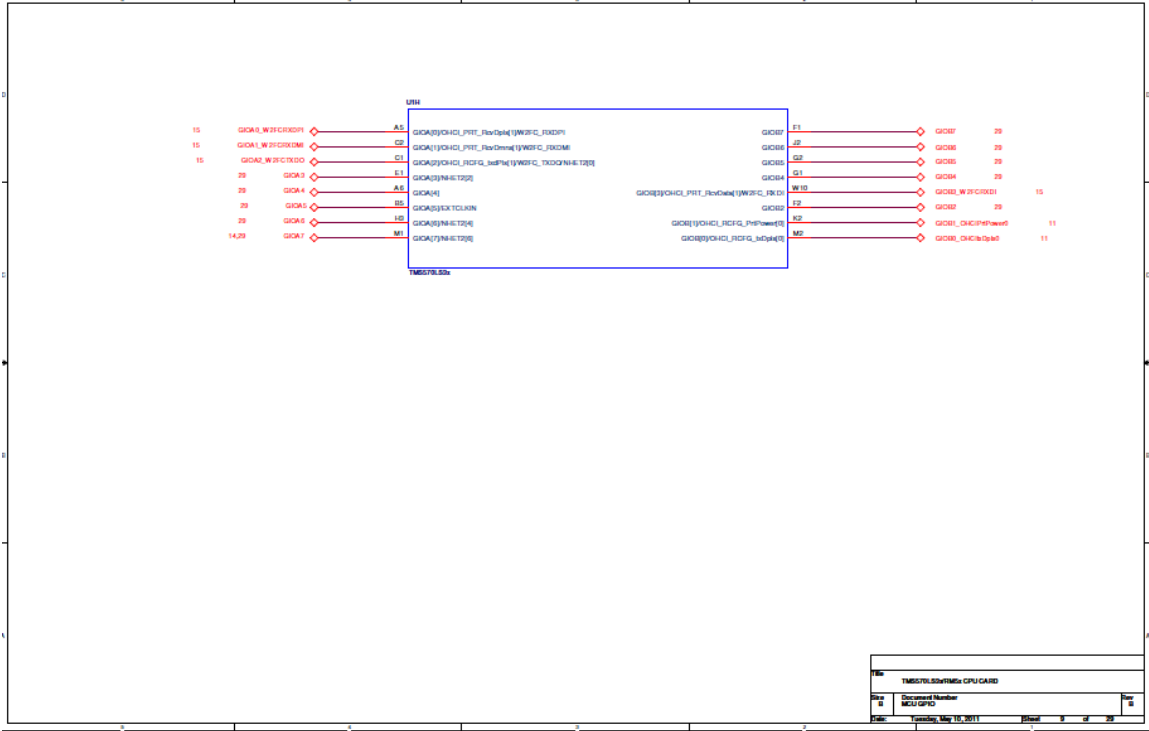
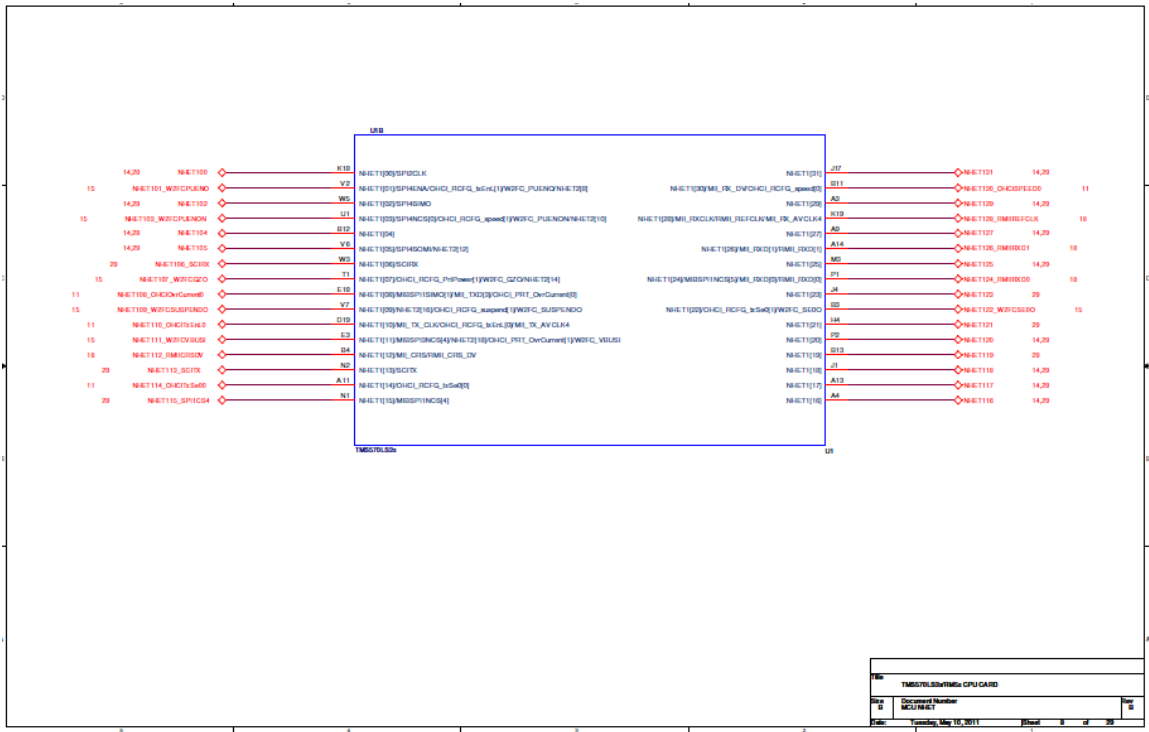
Proprietary & Confidential

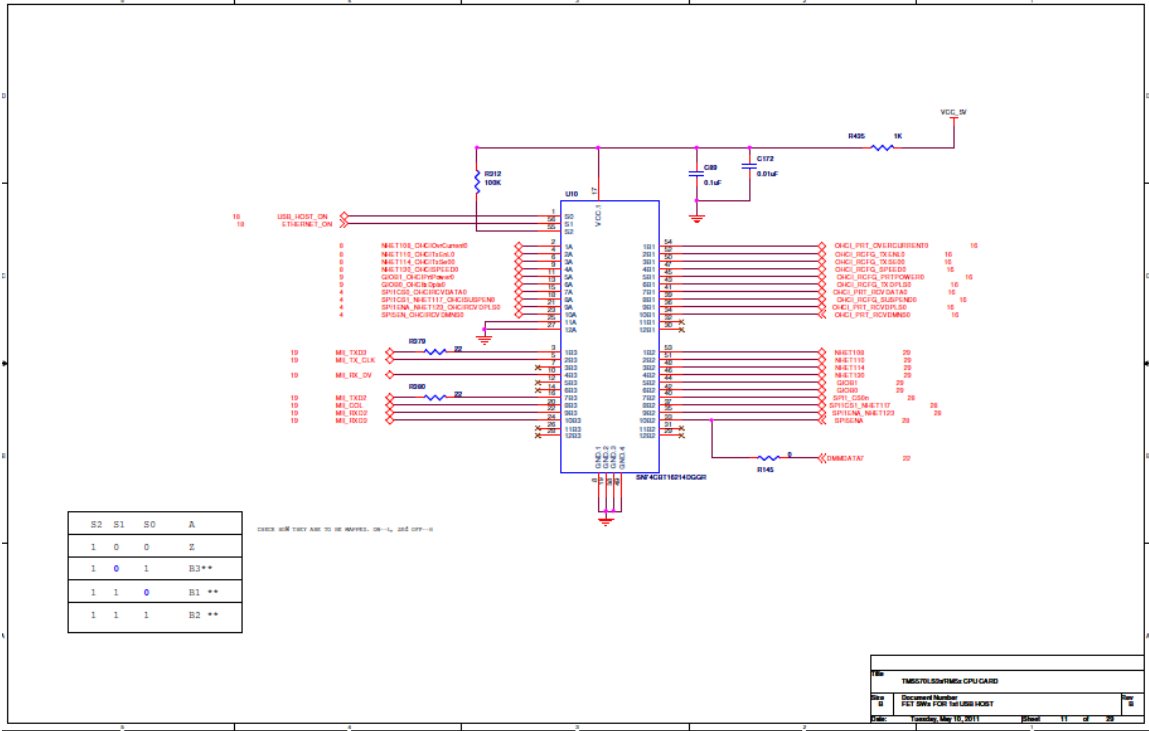
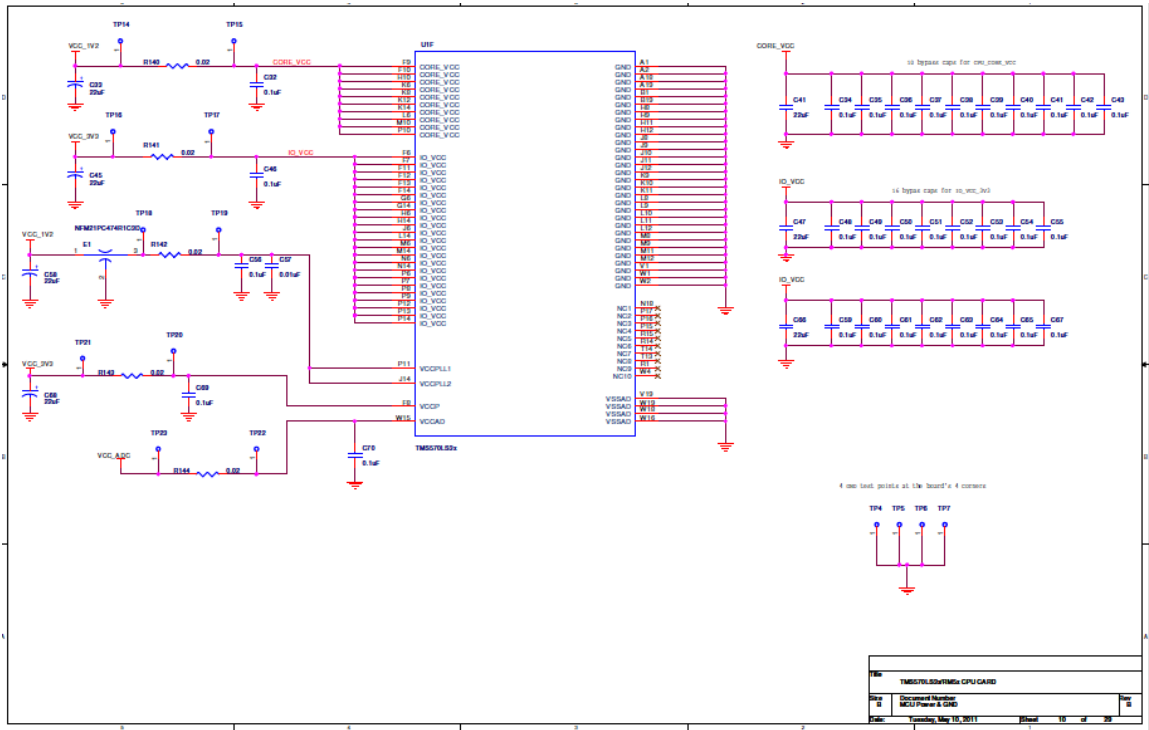
Texas Instruments Inc			
Title	TMS570L33x/RM48x CPU CARD		
Size	Document Number	Rev	
A	TITLE	B	
Date:	Tuesday, May 10, 2011	Sheet	1 of 29

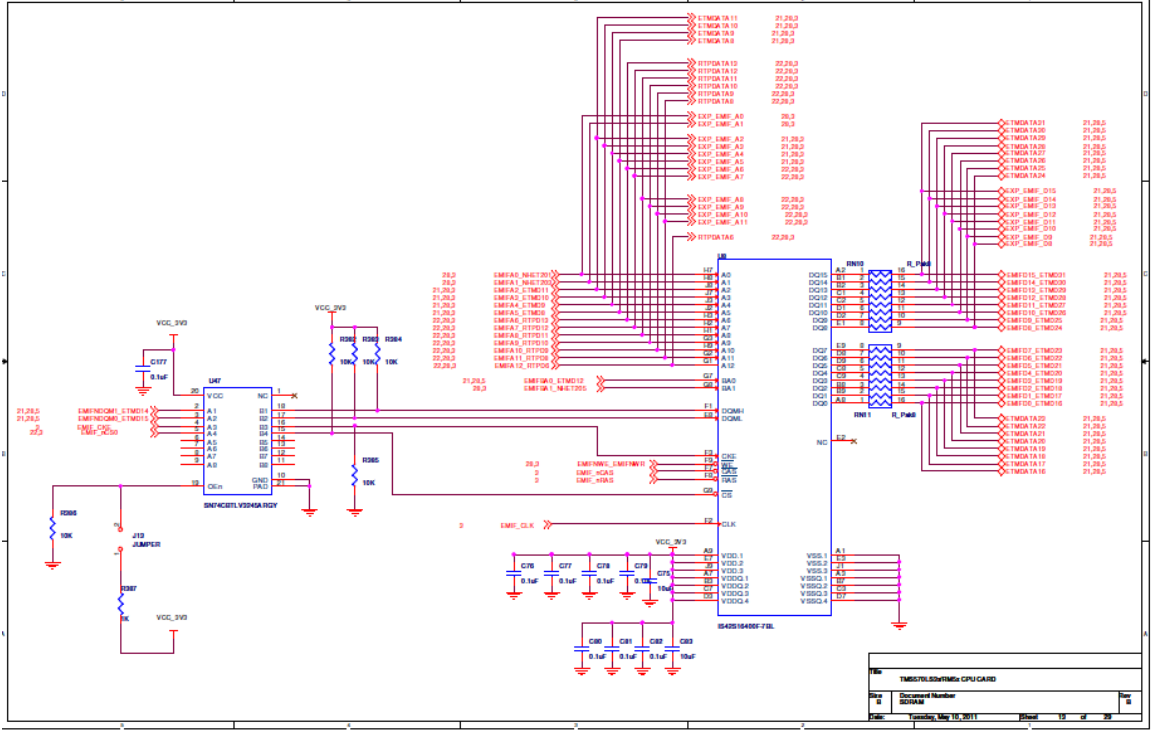
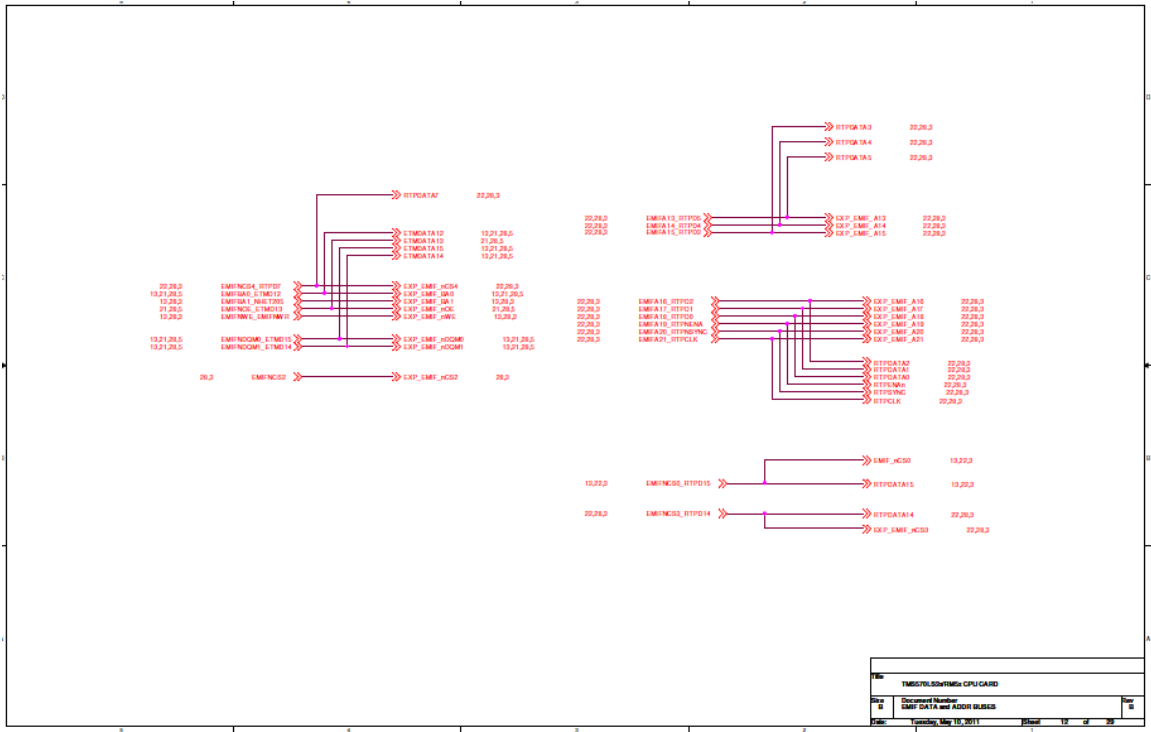


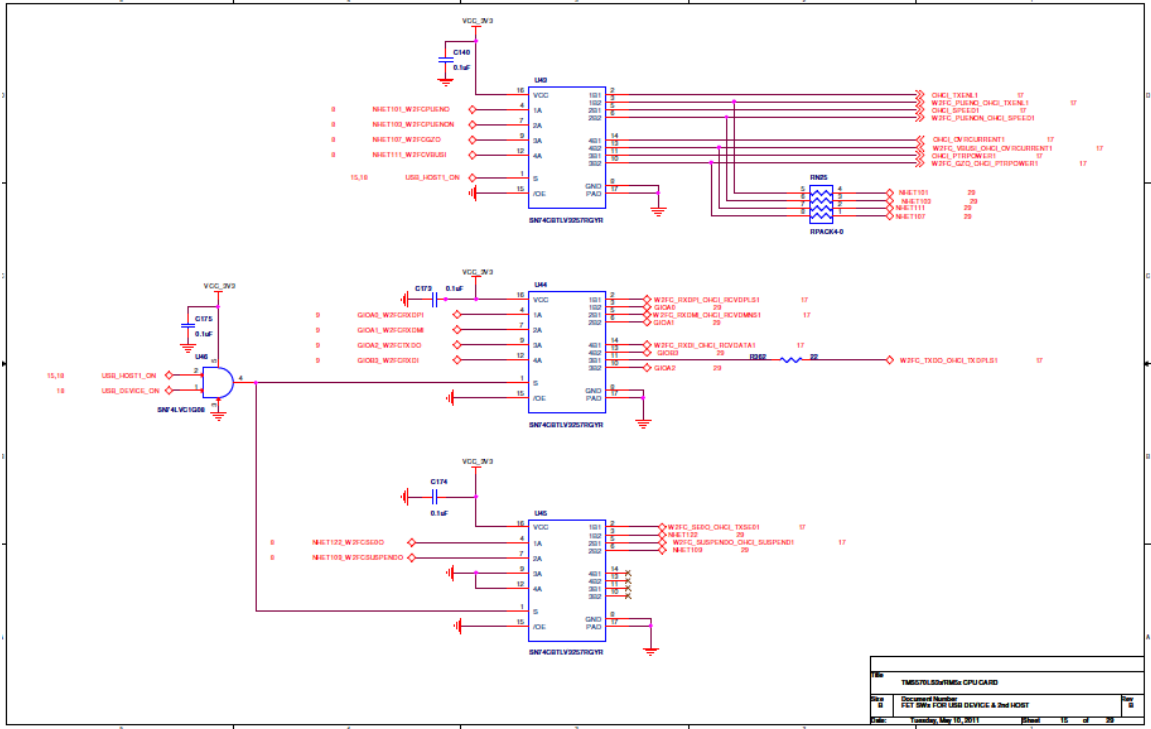
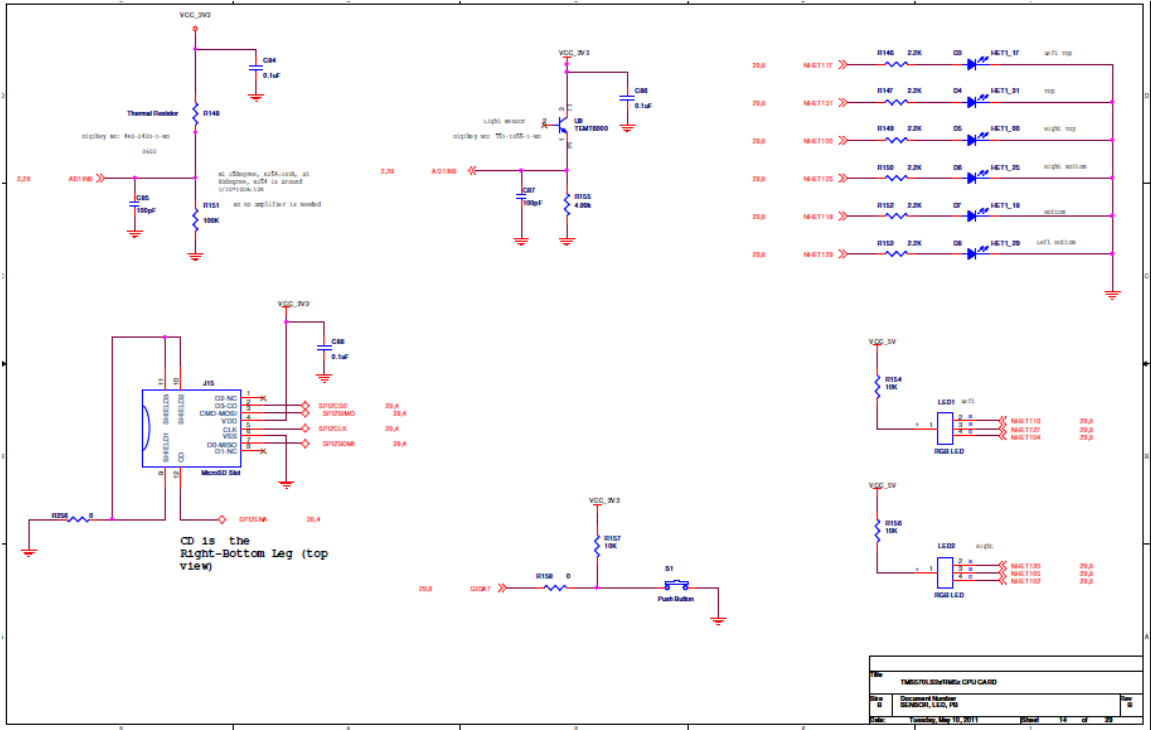


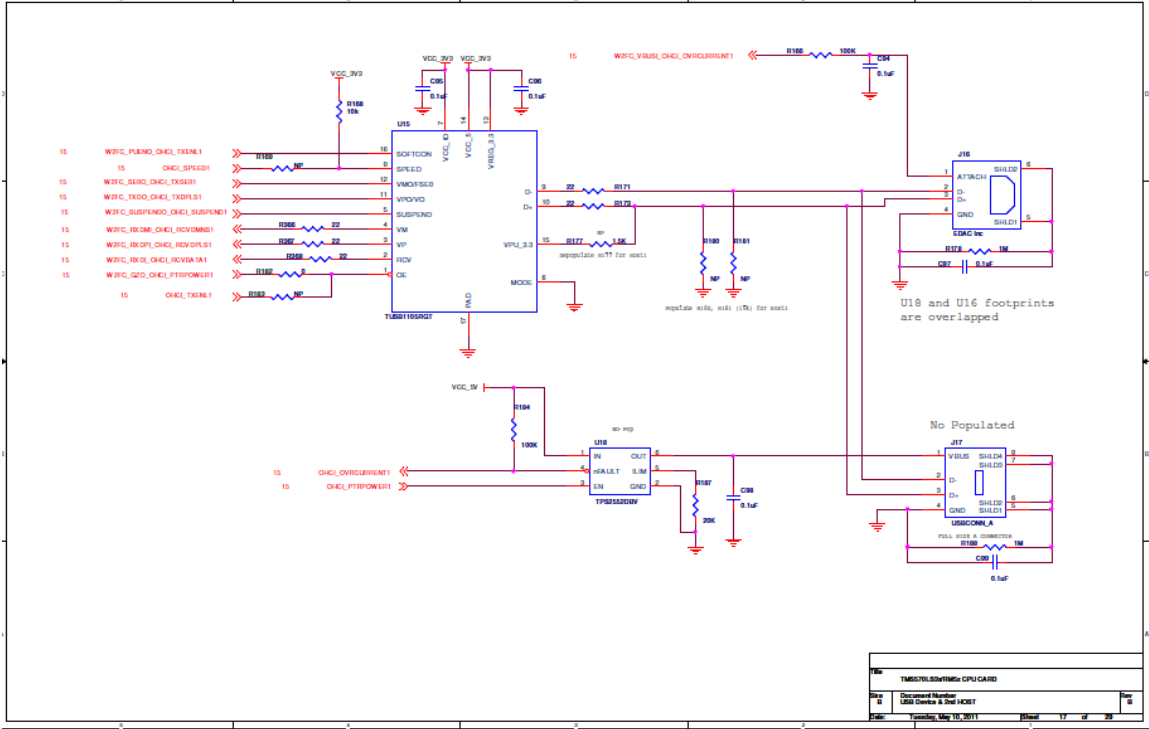
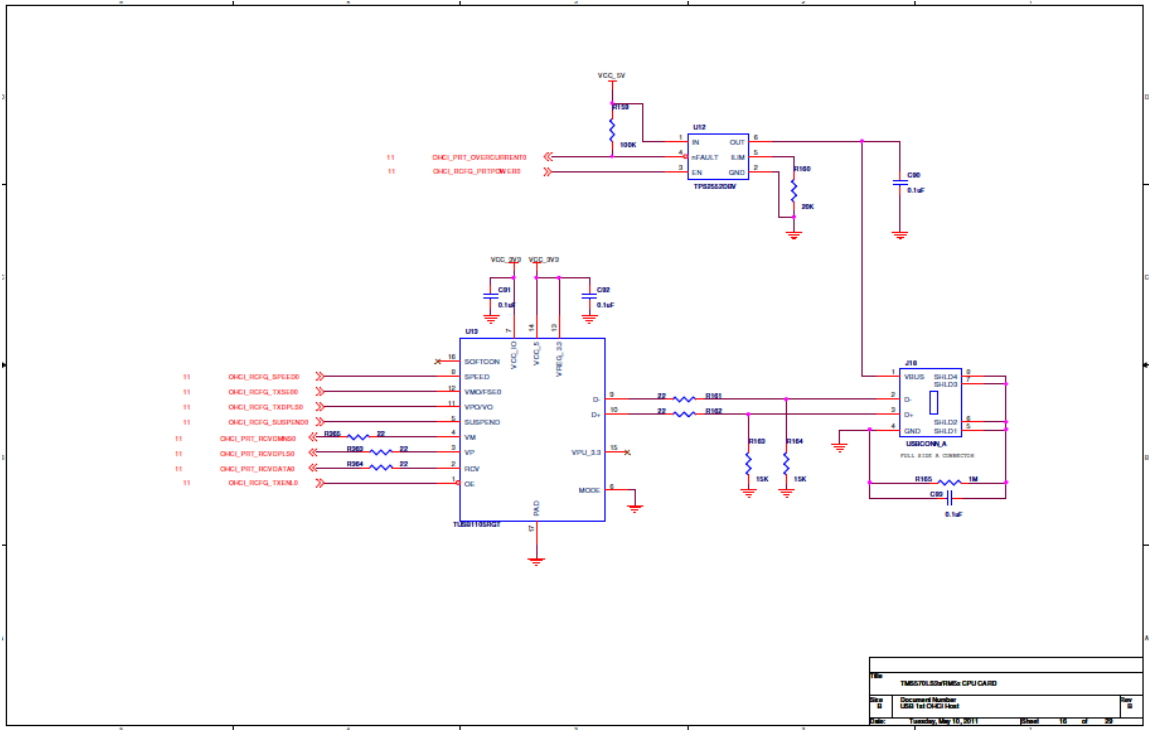


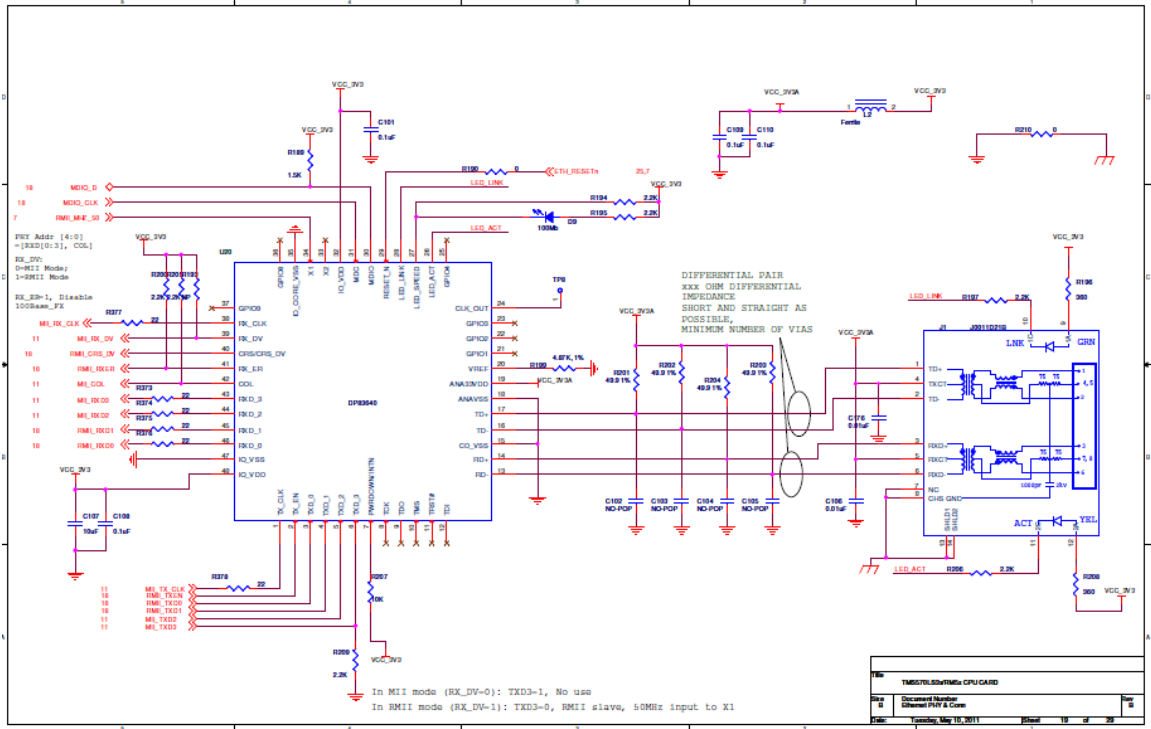
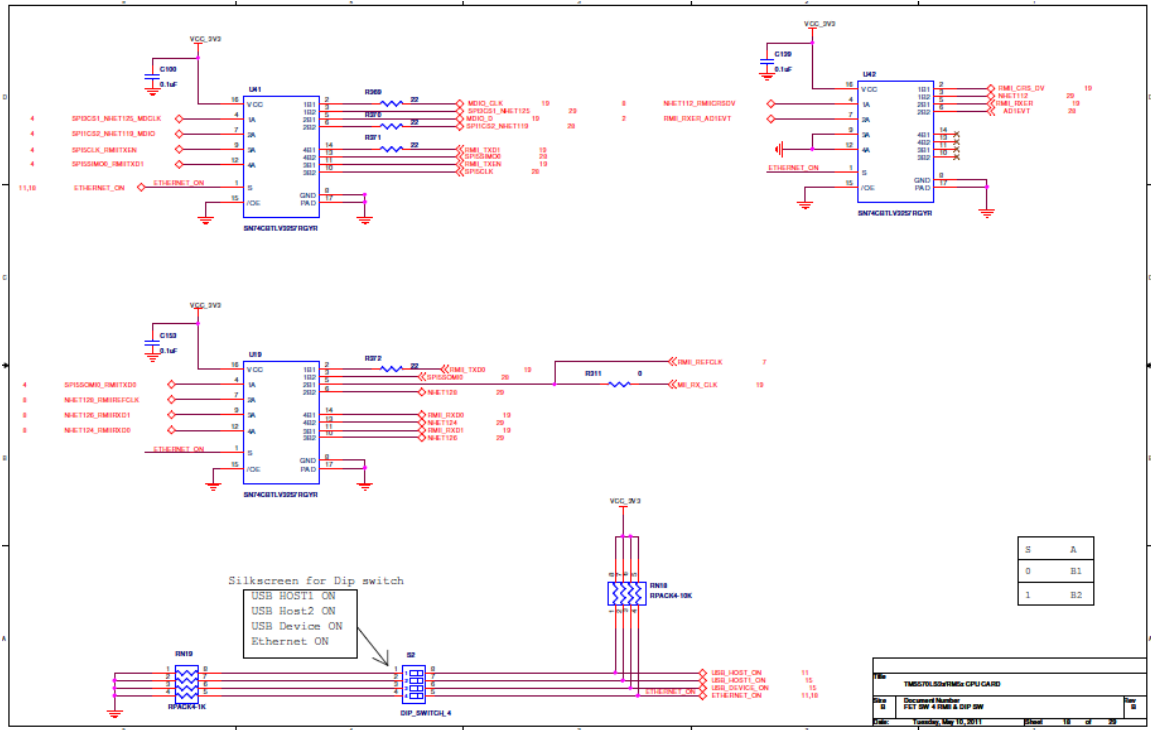


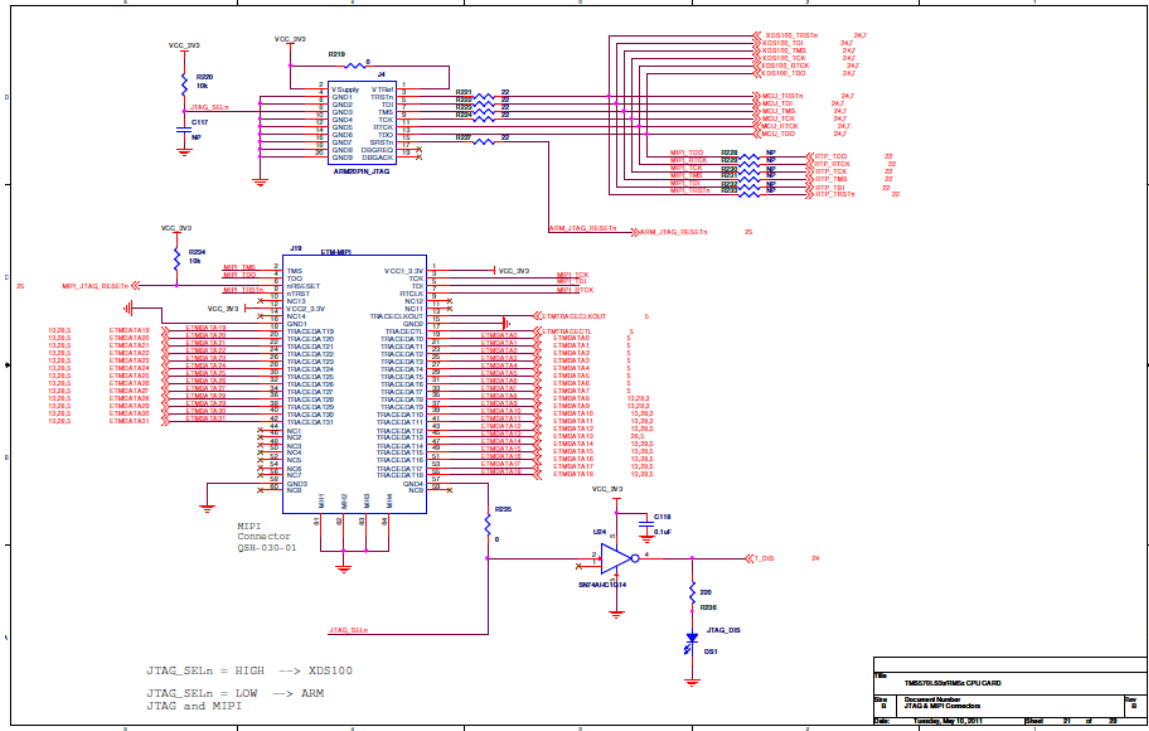
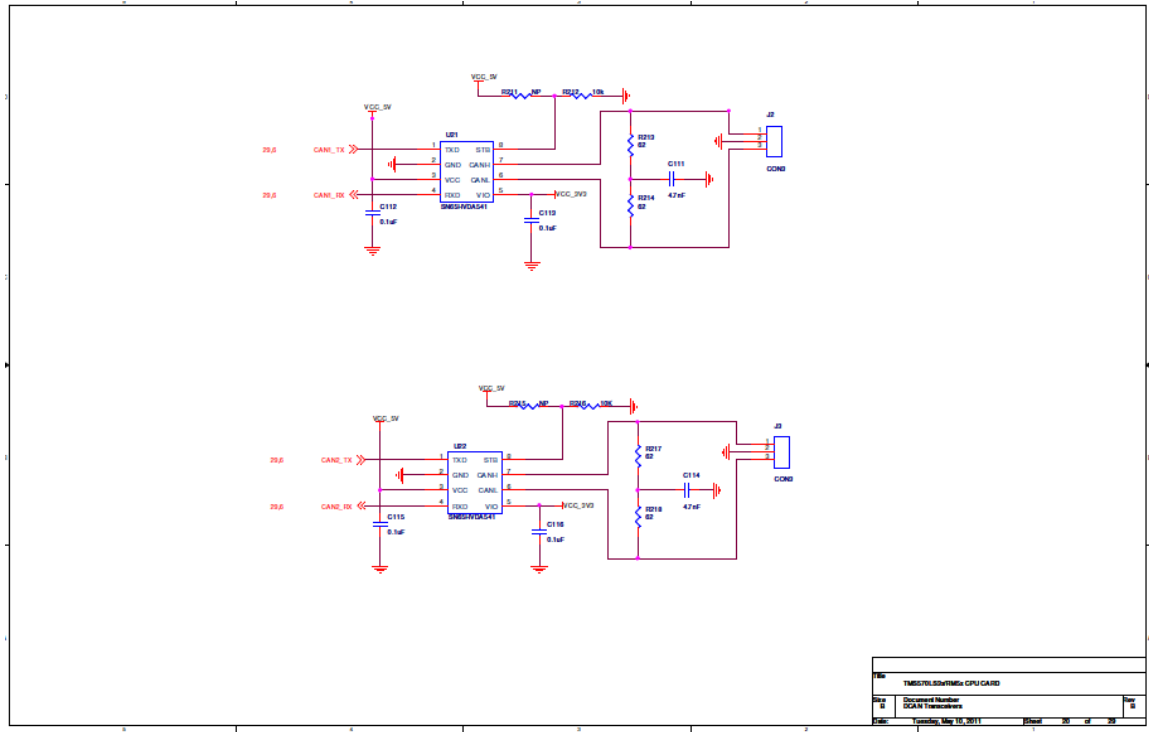


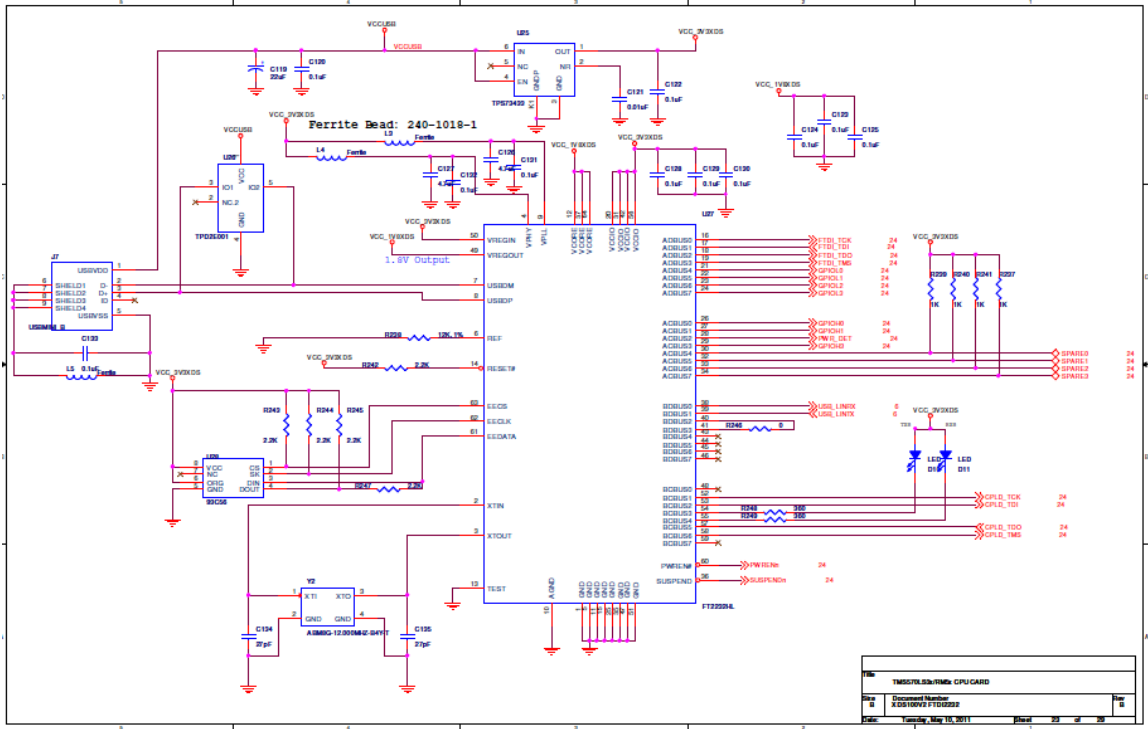
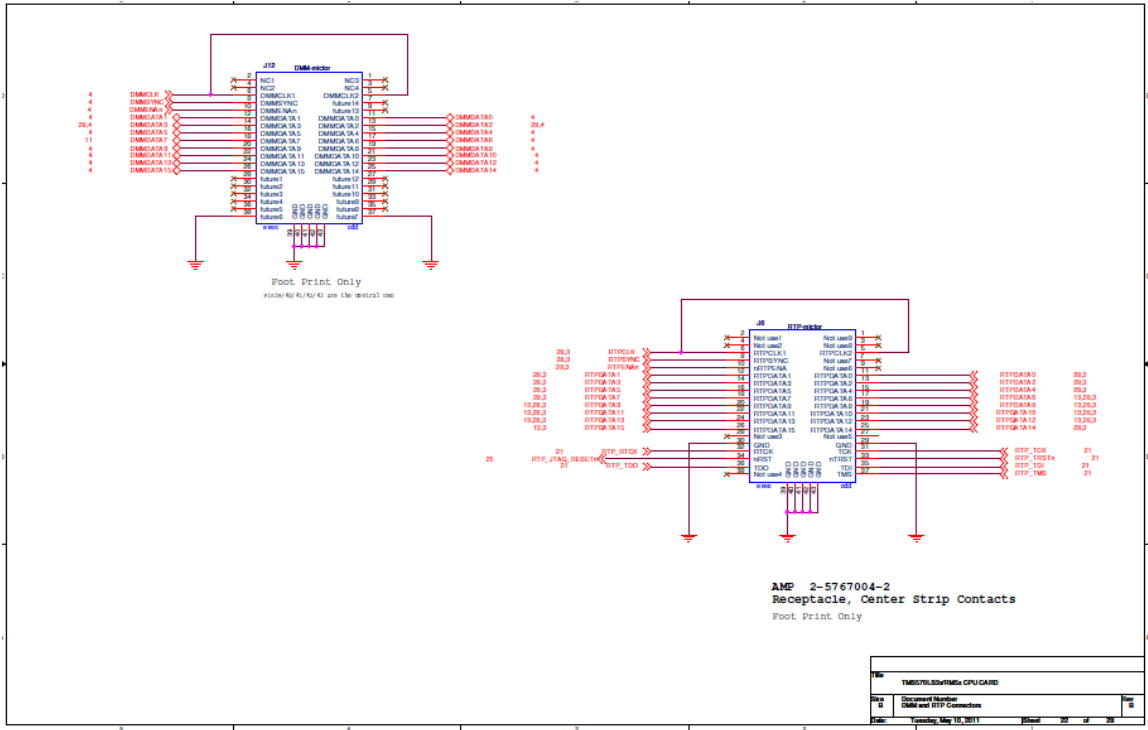


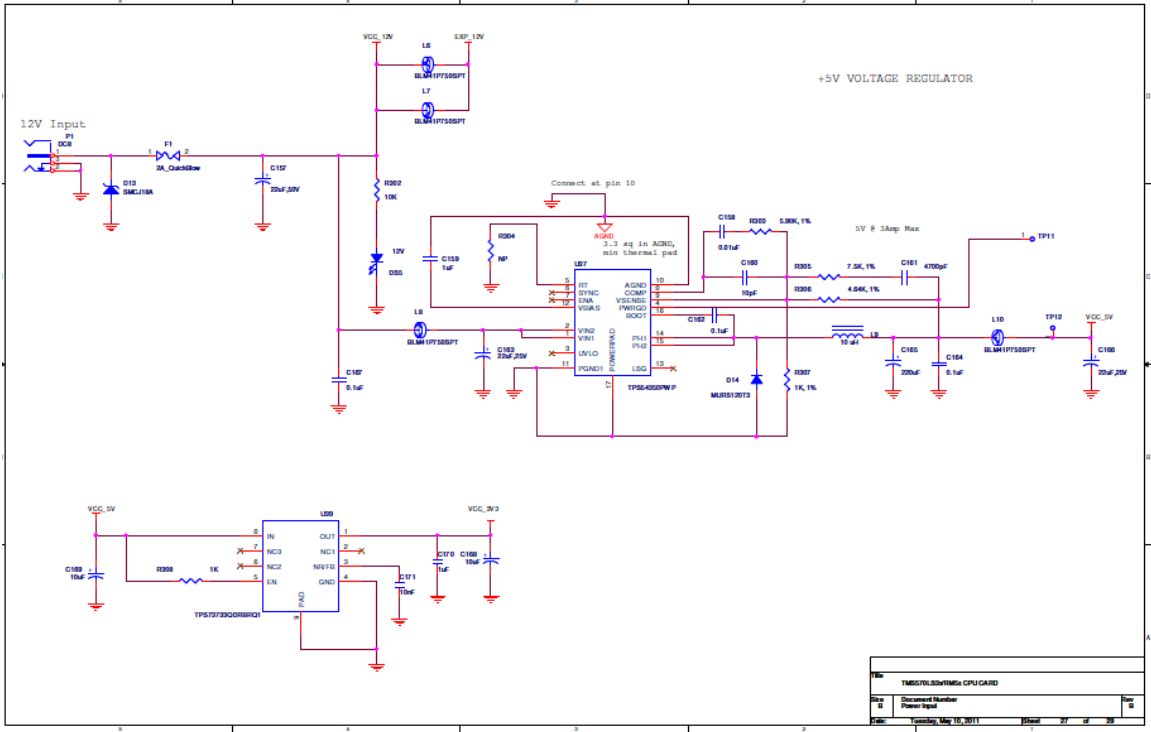
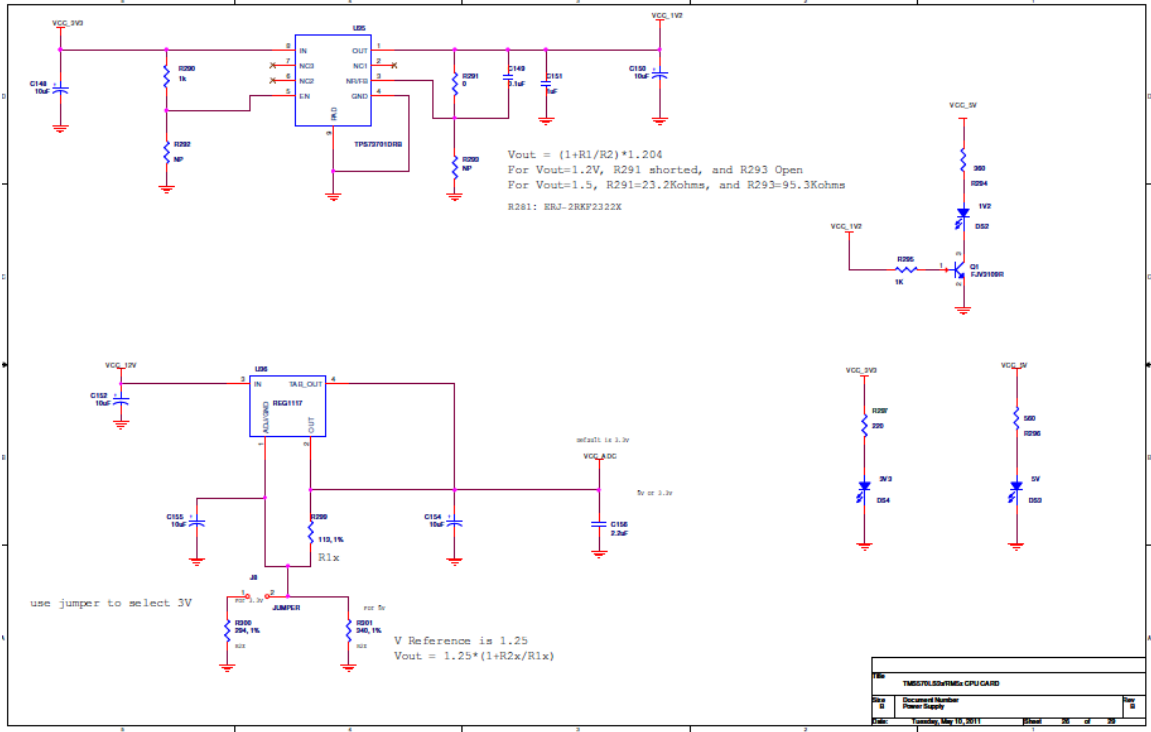


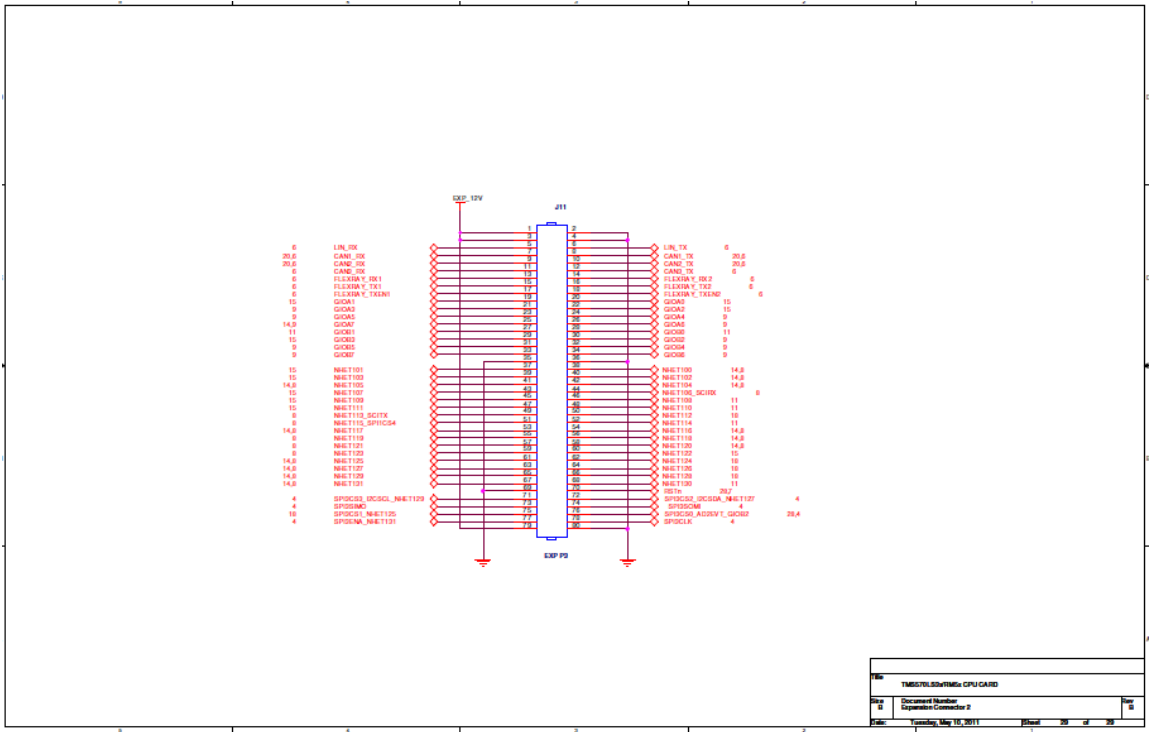
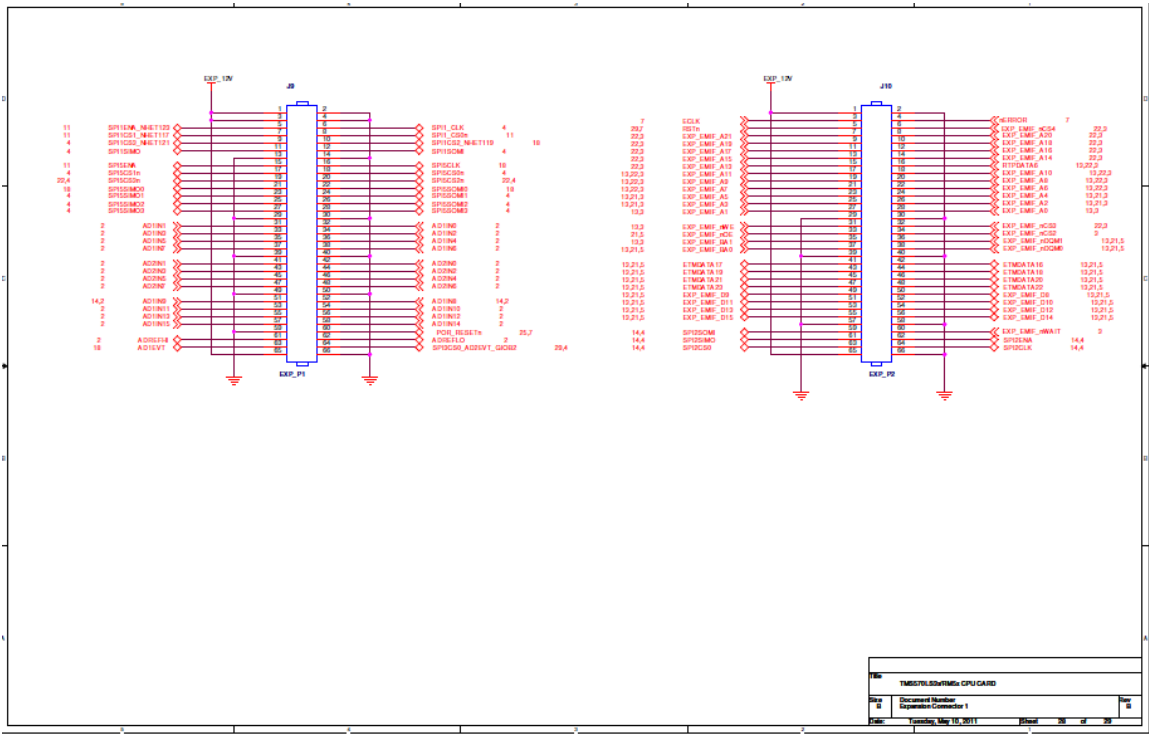












Appendix B

Operation Notices

The user assumes all responsibility and liability for proper and safe handling of the boards. It is the user's responsibility to take any and all appropriate precautions with regard to electrostatic discharge.

Support Resources

1. If you have problems or need additional information regarding the embedded emulation please refer to the XDS100 USB wiki on the TI web site. The URL for this site is:
<http://tiexpressdsp.com/index.php?title=XDS100>
2. Code Composer Studio support is available via a forum at:
<http://community.ti.com/forums/138.aspx>
3. Hercules Processor and Kit Support is available at:
<http://www.ti.com/hercules-support>

IMPORTANT NOTICE

Texas Instruments Incorporated and its subsidiaries (TI) reserve the right to make corrections, modifications, enhancements, improvements, and other changes to its products and services at any time and to discontinue any product or service without notice. Customers should obtain the latest relevant information before placing orders and should verify that such information is current and complete. All products are sold subject to TI's terms and conditions of sale supplied at the time of order acknowledgment.

TI warrants performance of its hardware products to the specifications applicable at the time of sale in accordance with TI's standard warranty. Testing and other quality control techniques are used to the extent TI deems necessary to support this warranty. Except where mandated by government requirements, testing of all parameters of each product is not necessarily performed.

TI assumes no liability for applications assistance or customer product design. Customers are responsible for their products and applications using TI components. To minimize the risks associated with customer products and applications, customers should provide adequate design and operating safeguards.

TI does not warrant or represent that any license, either express or implied, is granted under any TI patent right, copyright, mask work right, or other TI intellectual property right relating to any combination, machine, or process in which TI products or services are used. Information published by TI regarding third-party products or services does not constitute a license from TI to use such products or services or a warranty or endorsement thereof. Use of such information may require a license from a third party under the patents or other intellectual property of the third party, or a license from TI under the patents or other intellectual property of TI.

Reproduction of TI information in TI data books or data sheets is permissible only if reproduction is without alteration and is accompanied by all associated warranties, conditions, limitations, and notices. Reproduction of this information with alteration is an unfair and deceptive business practice. TI is not responsible or liable for such altered documentation. Information of third parties may be subject to additional restrictions.

Resale of TI products or services with statements different from or beyond the parameters stated by TI for that product or service voids all express and any implied warranties for the associated TI product or service and is an unfair and deceptive business practice. TI is not responsible or liable for any such statements.

TI products are not authorized for use in safety-critical applications (such as life support) where a failure of the TI product would reasonably be expected to cause severe personal injury or death, unless officers of the parties have executed an agreement specifically governing such use. Buyers represent that they have all necessary expertise in the safety and regulatory ramifications of their applications, and acknowledge and agree that they are solely responsible for all legal, regulatory and safety-related requirements concerning their products and any use of TI products in such safety-critical applications, notwithstanding any applications-related information or support that may be provided by TI. Further, Buyers must fully indemnify TI and its representatives against any damages arising out of the use of TI products in such safety-critical applications.

TI products are neither designed nor intended for use in military/aerospace applications or environments unless the TI products are specifically designated by TI as military-grade or "enhanced plastic." Only products designated by TI as military-grade meet military specifications. Buyers acknowledge and agree that any such use of TI products which TI has not designated as military-grade is solely at the Buyer's risk, and that they are solely responsible for compliance with all legal and regulatory requirements in connection with such use.

TI products are neither designed nor intended for use in automotive applications or environments unless the specific TI products are designated by TI as compliant with ISO/TS 16949 requirements. Buyers acknowledge and agree that, if they use any non-designated products in automotive applications, TI will not be responsible for any failure to meet such requirements.

Following are URLs where you can obtain information on other Texas Instruments products and application solutions:

Products

Audio	www.ti.com/audio
Amplifiers	amplifier.ti.com
Data Converters	dataconverter.ti.com
DLP® Products	www.dlp.com
DSP	dsp.ti.com
Clocks and Timers	www.ti.com/clocks
Interface	interface.ti.com
Logic	logic.ti.com
Power Mgmt	power.ti.com
Microcontrollers	microcontroller.ti.com
RFID	www.ti-rfid.com
OMAP Mobile Processors	www.ti.com/omap
Wireless Connectivity	www.ti.com/wirelessconnectivity

Applications

Communications and Telecom	www.ti.com/communications
Computers and Peripherals	www.ti.com/computers
Consumer Electronics	www.ti.com/consumer-apps
Energy and Lighting	www.ti.com/energy
Industrial	www.ti.com/industrial
Medical	www.ti.com/medical
Security	www.ti.com/security
Space, Avionics and Defense	www.ti.com/space-avionics-defense
Transportation and Automotive	www.ti.com/automotive
Video and Imaging	www.ti.com/video

TI E2E Community Home Page

e2e.ti.com

Mailing Address: Texas Instruments, Post Office Box 655303, Dallas, Texas 75265
Copyright © 2011, Texas Instruments Incorporated