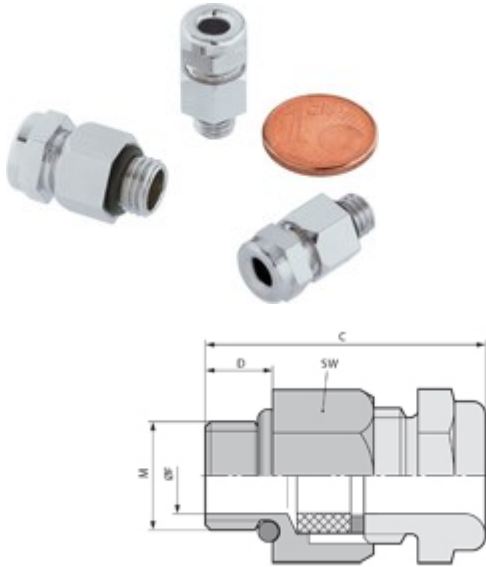


## Product Description

High degree of protection; For smallest conductor sizes; For small assembly space; Gentle cable clamping; High packing density



## Application range

- For use wherever there is limited assembly space.
- Sensors
- Measuring technology

## Benefits

- High degree of protection
- For smallest conductor sizes
- For small assembly space
- Gentle cable clamping
- High packing density



Technical Data

Material

Body: Nickel plated brass Seal: CR/NBR

Range of temperature

-20°C up to +100°C

Degree of protection

IP 68

Article List

Part number	Part designation / size	Clamping range ØF mm	SW mm	Overall length C mm	Thread length D mm	Pieces / PU
SKINDICHT® MINI						
52001860	MINI 6 x 1	2 - 3	9	19,5	5.0	50
52001880	MINI 8 x 1	3,5 - 5,5	11	20,5	5.0	50

Footnote:

Photographs are not to scale and do not represent detailed images of the respective products.