

DATE: 2010/2/23 (YY/MM/DD)

Customer : _____

APPROVAL SHEET

RoHS Compliant

PRODUCT: AC ADAPTOR

MODEL: UI318-12

PART NO. SW3938 (UKR006-95)

V : 100223

Receiver's stamp or signature

PLEASE APPROVE & RETURN BEFORE 2010/3/9
OR WE WOULD REGARD IT BEEN CONFIRMED.

RESPONSIBLE	APPROVED	ISSUED
DAVID	TULIP	TULIP

Revised History

NO.	Revised Date	Description	Approved	Issued
1	2010.02.23	CHANGE LABEL 1	TULIP	TULIP

PowerPax UK LTD

www.powerpax.co.uk

1.INPUT SPECIFICATION

2.OUTPUT SPECIFICATION

3.MECHANICAL

4.RELIABILITY

5.ENVIRONMENT

6.OUTLOOKING

7.SAFETY

8.QC CHECK

9.DIMENSION

10.PACKING

11.LABEL

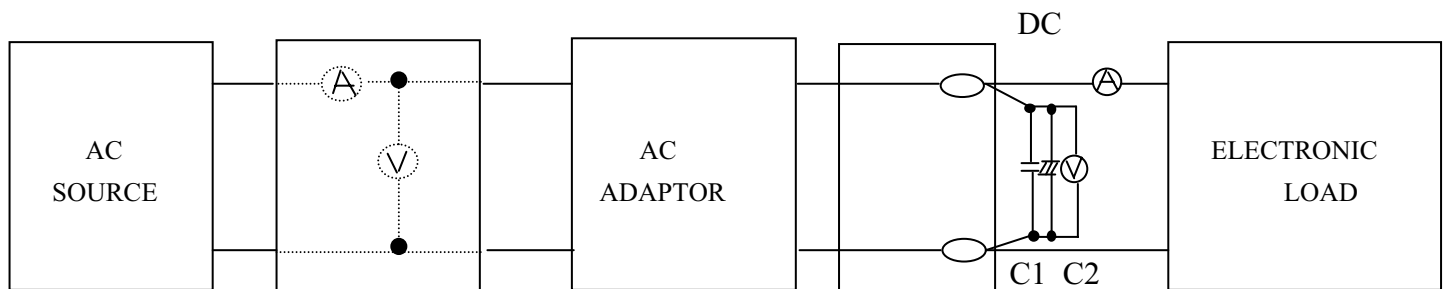
1.INPUT SPECIFICATION

ITEM	SPECIFICATION	MIN	TYPICAL	MAX
AC INPUT VOLTAGE	SINGLE PHASE		100-240Vac	
AC INPUT VOLTAGE RANGE	SINGLE PHASE	90Vac		264Vac
AC INPUT FREQUENCY	SINGLE PHASE	47Hz	50/60Hz	63Hz
AC INPUT CURRENT	TYPICAL INPUT VOLTAGE& OUTPUT AT FULL LOAD.		400mA	480mA
AC INRUSH CURRENT	TYPICAL INPUT VOLTAGE& OUTPUT AT FULL LOAD , 25°C .			50A
CEC EFFICIENCY	THE ADAPTOR SHALL ACCORD WITH THE REQUEST OF CEC LEVEL V	80.29%		
STAND BY CONSUMPTION	THE ADAPTOR SHALL ACCORD WITH THE REQUEST OF CEC LEVEL V			0.3W
LEAKAGE CURRENT	TYPICAL INPUT VOLTAGE& OUTPUT AT FULL LOAD.			0.25mA

UT SPECIFICATION

ITEM	SPECIFICATION	MIN	TYPICAL	MAX
NOMINAL DC OUTPUT VOLTAGE			12Vdc	
DC OUTPUT VOLTAGE RANGE	TYPICAL OUTPUT VOLTAGE $\pm 5\%$	11.4V		12.6V
LOAD CURRENT		0.0A		1.5A
RIPPLE & NOISE	TYPICAL INPUT VOLTAGE , FULL LOAD CURRENT , 25°C			120mV
HOLD-UP TIME	AT TYPICAL INPUT VOLTAGE AND FULL LOAD	10mS		
TURN-ON DELAY	TYPICAL INPUT VOLTAGE AND FULL LOAD CURRENT			2S
OVER CURRENT PROTECTION	AUTO RECOVERY			
SHORT CIRCUIT PROTECTION	THE ADAPTOR SHALL NOT DAMAGE BY SHORT TO THE DC OUTPUT GROUND			
OVER VOLTAGE PROTECTION	AUTO RECOVERY			

*TEST MEASURES

C1: 0.1 μ F CERAMICS CAPACITORC2: 10 μ 50V ALUMINUM CAPACITOR

The bandwidth of Oscilloscope is set with 20MHz

3.MECHANICAL

ITEM	SPECIFICATION OR TEST CONDITION	ACCEPTANCE CRITERIA
BENDING TEST	NORMAL TEMPERATURE THE PLUG SHALL WITHSTAND WEIGHT OF 2.94 N,IT SWINGS FROM LEFT TO RIGHT AT AN ANGLE OF 120 DEG. 500 TIMES MIN.. S/R SHALL WITHSTAND WEIGHT OF 2.94N. IT SWING FROM LEFT TO RIGHT AT AN ANGLE OF 120DEG. 500 TIMES MIN.. BENDING SPEED 40CYCLE/MIN.	NO SHORT CIRCUIT NO BREAKAGE OF THE CORD
VIBRATION	DURATION: 30 MINUTES AMPLITUDE: 0.35mm FREQUENCY RANGE: 10 Hz...55 Hz...10 Hz SWEEP RANGE: APPROXIMATELY 1 OCTAVE / MIN	THERE SHALL BE NO ABNORMALITY ON THE APPEARANCE STRUCTURE AND OPERATING

4.RELIABILITY

ITEM	TEST CONDITION	ACCEPTANCE CRITERIA
TEMPERATURE UP WITH FULL LOAD	TEST AT SURFACE OF THE CASE WITH TYPICAL AC INPUT AND FULL LOAD IN OUTPUT 50/60Hz	TEMPERATURE RISEN MEET SAFETY APPROVALED AT THE SURFACE OF CASE
HI-POT TEST	BETWEEN INPUT&OUTPUT 3000Vac 60 SECONDS 10mA IT IS BASE ON EN60950 5.2.2 TEST PROCEDURE. FOR MASS PRODUCTION, IT IS TESTED BY 3.3KV/1 SECOND.	NO DAMAGE
INSULATION RESISTANCE	INPUT TO OUTPUT ,DC 500V	>100M Ω
MTBF	TYPICAL INPUT & FULL LOAD AT 25 $^{\circ}$ C	100000 HOURS (min)
BURN-IN TEST	AT 30 $^{\circ}$ C (\pm 10 $^{\circ}$ C),TYPICAL INPUT VOLTAGE	2~4 HOURS
IEC61000-4-5 SURGE WITHSTAND	\pm 1KV	NO DAMAGE
IEC61000-4-2 ESD TEST LEVEL2	AIR DISCHARGE \pm 8KV CONTACT DISCHARGE \pm 4KV	NO DAMAGE 1 ROUND/SEC ABOVE

5.ENVIRONMENT

ITEM	SPECIFICATION OR TEST CONDITION	MIN	TYPICAL	MAX
OPERATING TEMPERATURE		0 $^{\circ}$ C		40 $^{\circ}$ C
STORAGE TEMPERATURE		-20 $^{\circ}$ C		65 $^{\circ}$ C
OPERATING HUMIDITY	NON-CONDENSING	5%RH		95%RH
STORAGE HUMIDITY	NON-CONDENSING	5%RH		95%RH

6.OUTLOOKING

DIMENSION :92.2(L)×49.8(W)×26.3(H)mm typ
 WEIGHT :ABOUT 135g
 AC INPUT TYPE :IEC 320 C8
 DC OUTPUT TYPE :5.5*2.1*12



DC OUTPUT CABLE :USE UL 2468 20AWG WIRE
 INDICATION :LABEL
 FLAMMABILITY OF POWER SUPPLY ADAPTER ENCLOSURE IS 94V0
 FLAMMABILITY OF PWB IS 94V0

7.SAFETY

COMPLY SAFETY STANDARDS	STANDARD
CUL	UL60950-1

Manufacturer: PowerPax (SHEN ZHEN) CO., LTD.

Factory Address: #E, Industrial Area of Long Men, Da Tian Yang, Song Gang Town, Baoan, Shen Zhen, China.

EMI
VCCI class B , FCC class B , CISPR 22 class B

8.QC CHECK

ALL OF THE QUANTITY SHALL BE CHECKED BEFORE SHIPMENT,CHECK ITEM AS BELOW:

- (1)DC PLUG POLE CHECK
- (2)DC OUTPUT VOLTAGE CHECK
- (3)HI-POT&INSULATION CHECK
- (4)OUTLOOKING CHECK

STANDARD OF RoHS

NO.	chemical substances group
1	Cadmium
2	Chromium(VI)
3	Lead
4	Mercury
5	Polybrominated biphenyls (PBBs)
6	Polybrominated diphenyl ethers(PBDEs)

FOR ENVIRONMENTAL IMPACT SUBSTANCES CONTAINED IN PARTS. COMPLY WITH "RoHS"

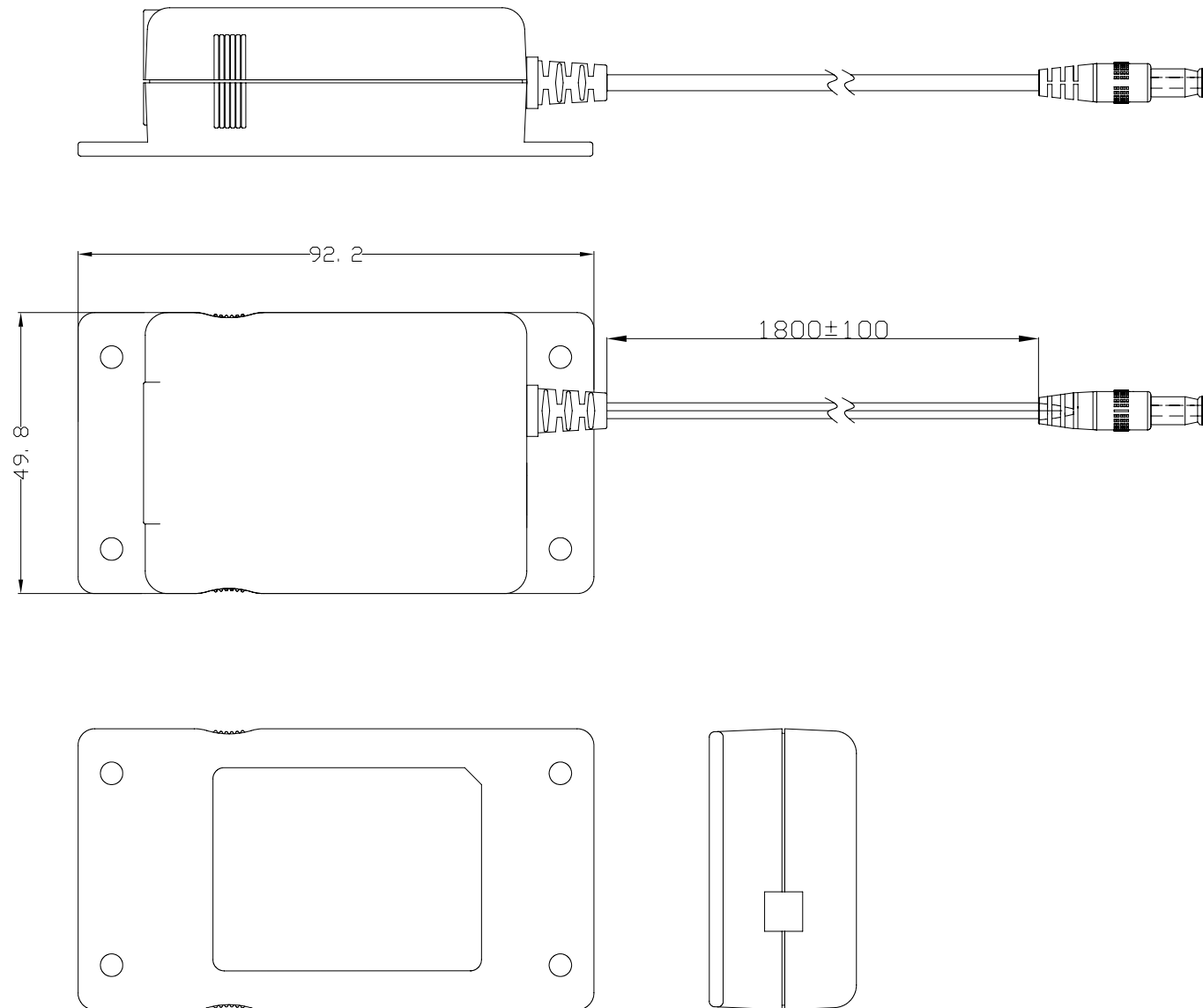
THE EUT HAS BEEN TESTED ACCORDING TO THE FOLLOWING SPECIFICATIONS:

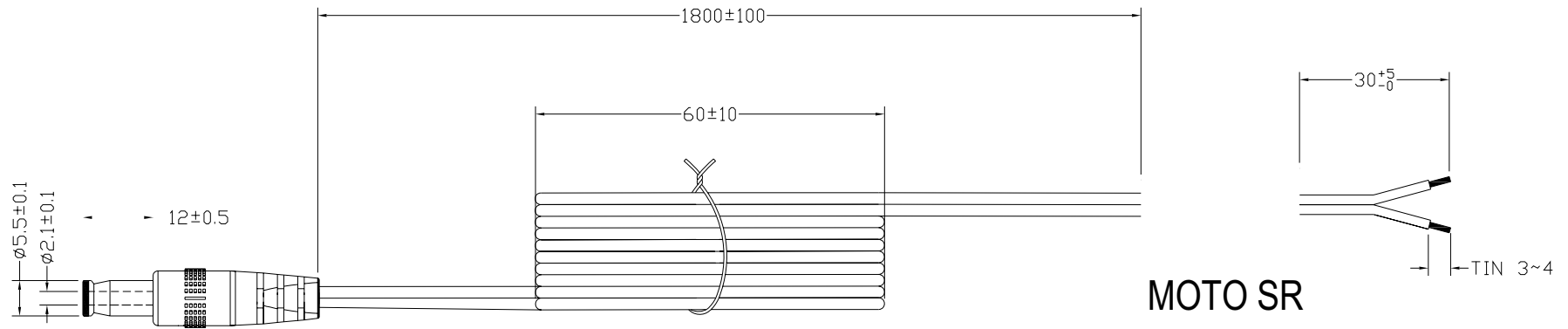
EMISSION			
STANDARD	TEST TYPE	RESULT	REMARKS
EN 55022 : 1998+A1:2000+A2:2003	CONDUCTED TEST	MEET	MEETS CLASS B LIMIT
	RADIATED TEST	MEET	MEETS CLASS B LIMIT
EN61000-3-2: 2000,CLASS D	HARMONIC CURRENT EMISSIONS	MEET	MEETS CLASS D LIMIT
EN61000-3-3: 1995+A1:2001	VOLTAGE FLUCTUATIONS & FLICKER	MEET	MEET THE REQUIREMENTS.

IMMUNITY(EN 55024:1998+A1:2001+A2:2003)			
STANDARD	TEST TYPE	RESULT	REMARKS
EN 61000-4-2: 1995+A1:1998+A2:2001	ELECTROSTATIC DISCHARGE IMMUNITY TEST	MEET	MEETS THE REQUIREMENTS OF PERFORMANCE CRITERION A
EN 61000-4-3:2002	RADIATED,RADIO- FREQUENCY, ELECTROMAGNETIC FIELD IMMUNITY TEST	MEET	MEETS THE REQUIREMENTS OF PERFORMANCE CRITERION A
EN 61000-4-4:2004	ELECTRICAL FAST TRANSIENT / BURST IMMUNITY TEST.	MEET	MEETS THE REQUIREMENTS OF PERFORMANCE CRITERION A
EN 61000-4-5: 1995+A1:2000	SURGE IMMUNITY TEST	MEET	MEETS THE REQUIREMENTS OF PERFORMANCE CRITERION A
EN 61000-4-6:2001	IMMUNITY TO CONDUCTED DISTURBANCES, INDUCED BY RADIO- FREQUENCY FIELDS	MEET	MEETS THE REQUIREMENTS OF PERFORMANCE CRITERION A
EN 61000-4-11:2001	VOLTAGE DIPS,SHORT INTERRUPTIONS AND VOLTAGE VARIATIONS IMMUNITY TESTS	MEET	MEETS THE REQUIREMENTS OF VOLTAGE DIPS: 1.>95% 0.5 CYCLE REDUCTION- PERFORMANCE CRITERION A 2. 30% 25 CYCLE REDUCTION- PERFORMANCE CRITERION A VOLTAGE INTERRUPTIONS: 1.>95% 250 CYCLE REDUCTION- PERFORMANCE CRITERION B

9.DIMENSION

CASE TOLERANCE: ±0.5mm





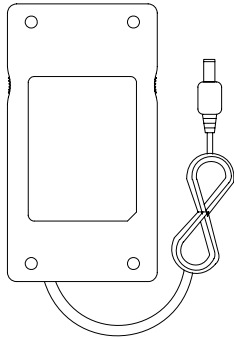
TOOLING NO.:SU-B80035-01

MEMO: Fork insulation with tonometer groove type

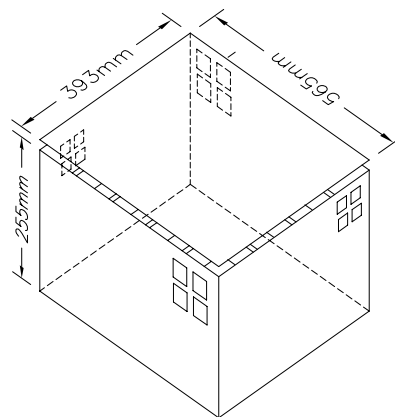
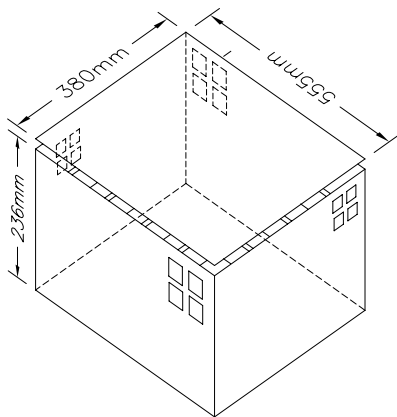
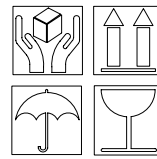
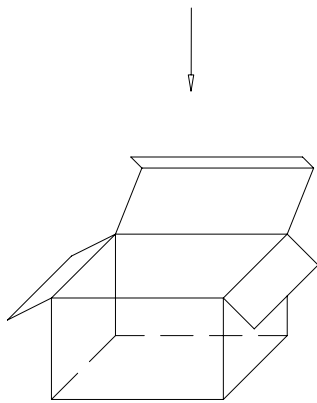
WWW.POWERPAX.CO.UK

	FILE NAME	DC CORD
DRAW	UNIT	
CHECKED	EDITION	1
	SHEET	1/1

10.PACKING



WHITE BOX = 130*35*70 mm
INSIDE CARTON SIZE = 555*380*236mm
OUTSIDE CARTON SIZE = 565*393*255mm
Q'TY: 120pcs




11.LABEL 1: (SILVER WORD ON BLACK BASE)

PowerPax UK


SW3938


Model No: UI318-12
 I / P: AC 100-240V 50/60Hz 0.1A
 O / P: DC 12V 1.5A




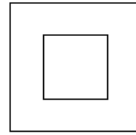
LISTED


I.T.E. POWER SUPPLY
 56EK
 E201955
 LEVEL3












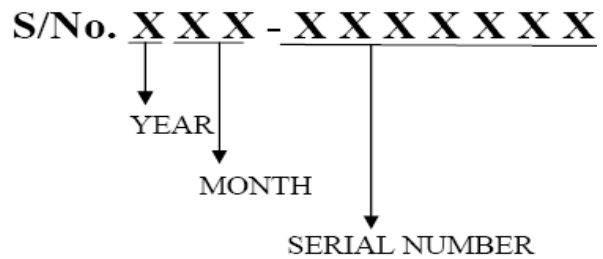
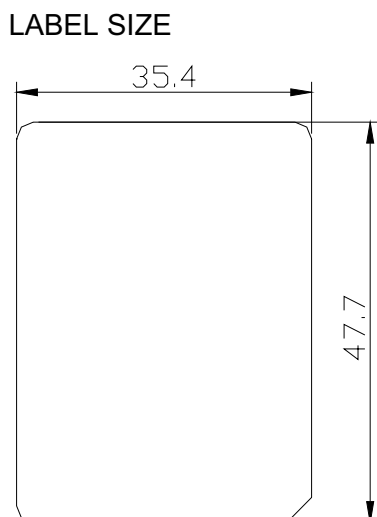
L.P.S.

EFFICIENCY LEVEL: (V)



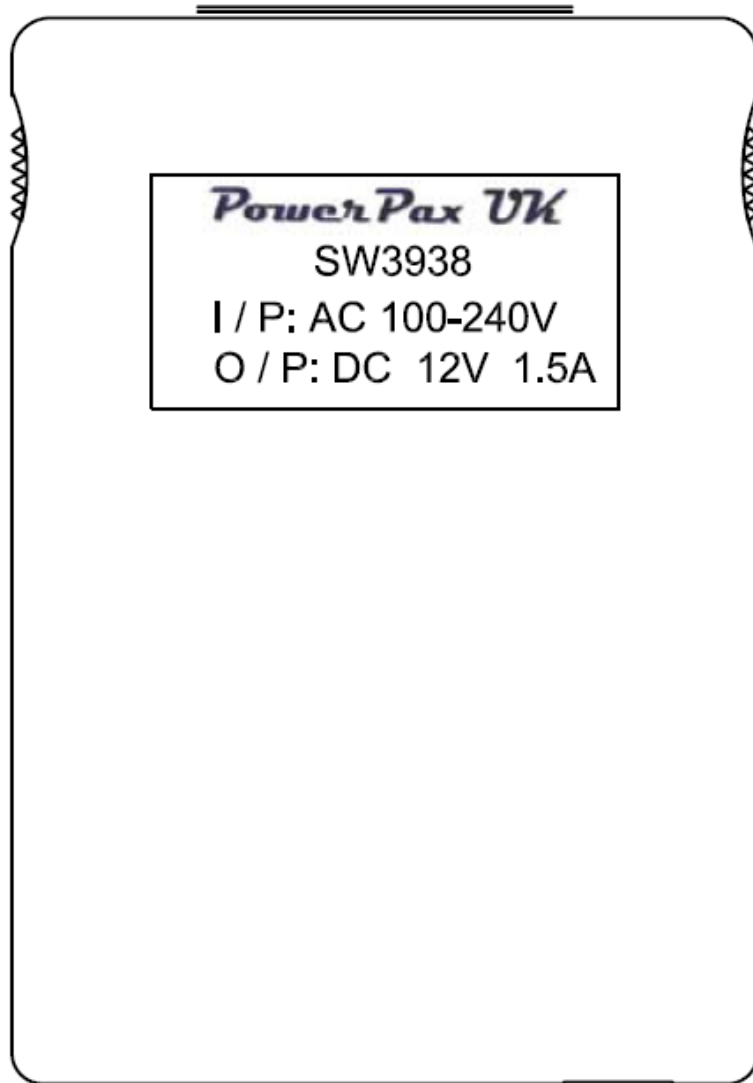
UKR006-95

MADE IN CHINA
 S/No. XXX-XXXXXXX

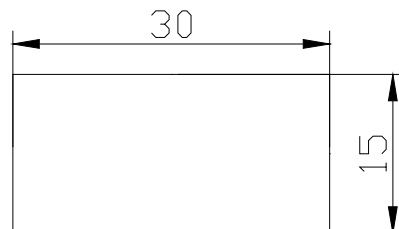


(BLACK WORD ON SILVER BASE)

LABEL 2: (SILVER WORD ON BLACK BASE)



LABEL SIZE:



公差: +0 / -0.2 mm