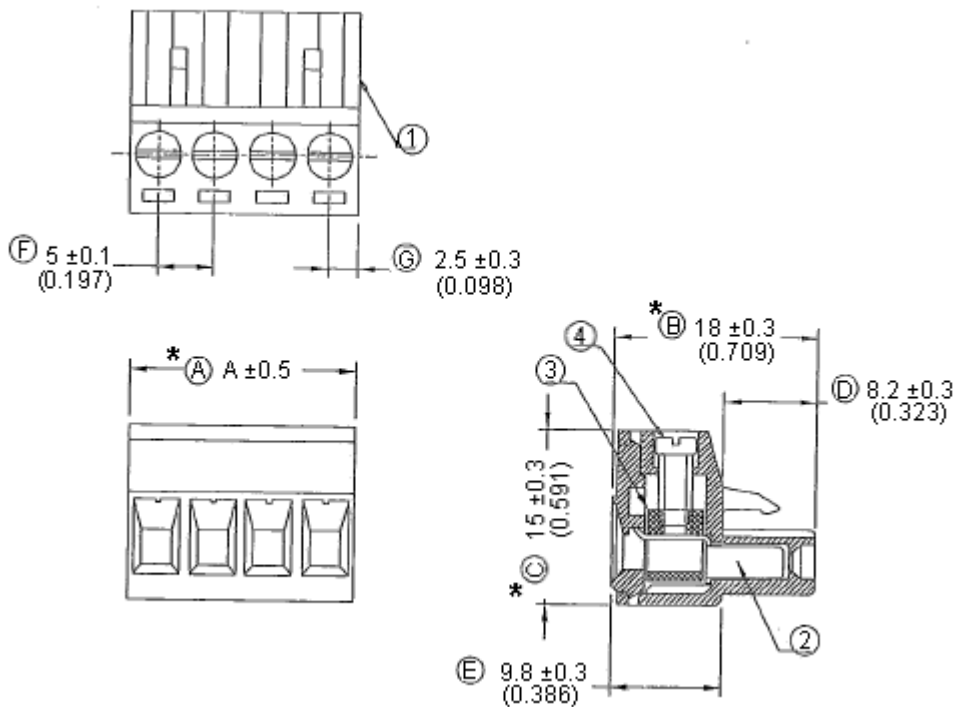


# Pluggable Terminal Block-Plug



## 5 mm Pitch



Dimensions : Millimetres (Inches)

### Specifications:

Rated voltage	: 300 V ac
Rated current	: 16 A
Wire size	: 24 to 12 AWG
Housing material	: Polyamide 66
Cage clamp	: Brass, Ni plated
Contact	: Phosphor bronze, tin plated
Screw size	: M3, steel, zinc plated
Operating temperature	: -40°C to +105°C
Torque	: 7 lb-inch
UL File Number	E330595

