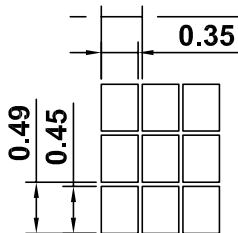
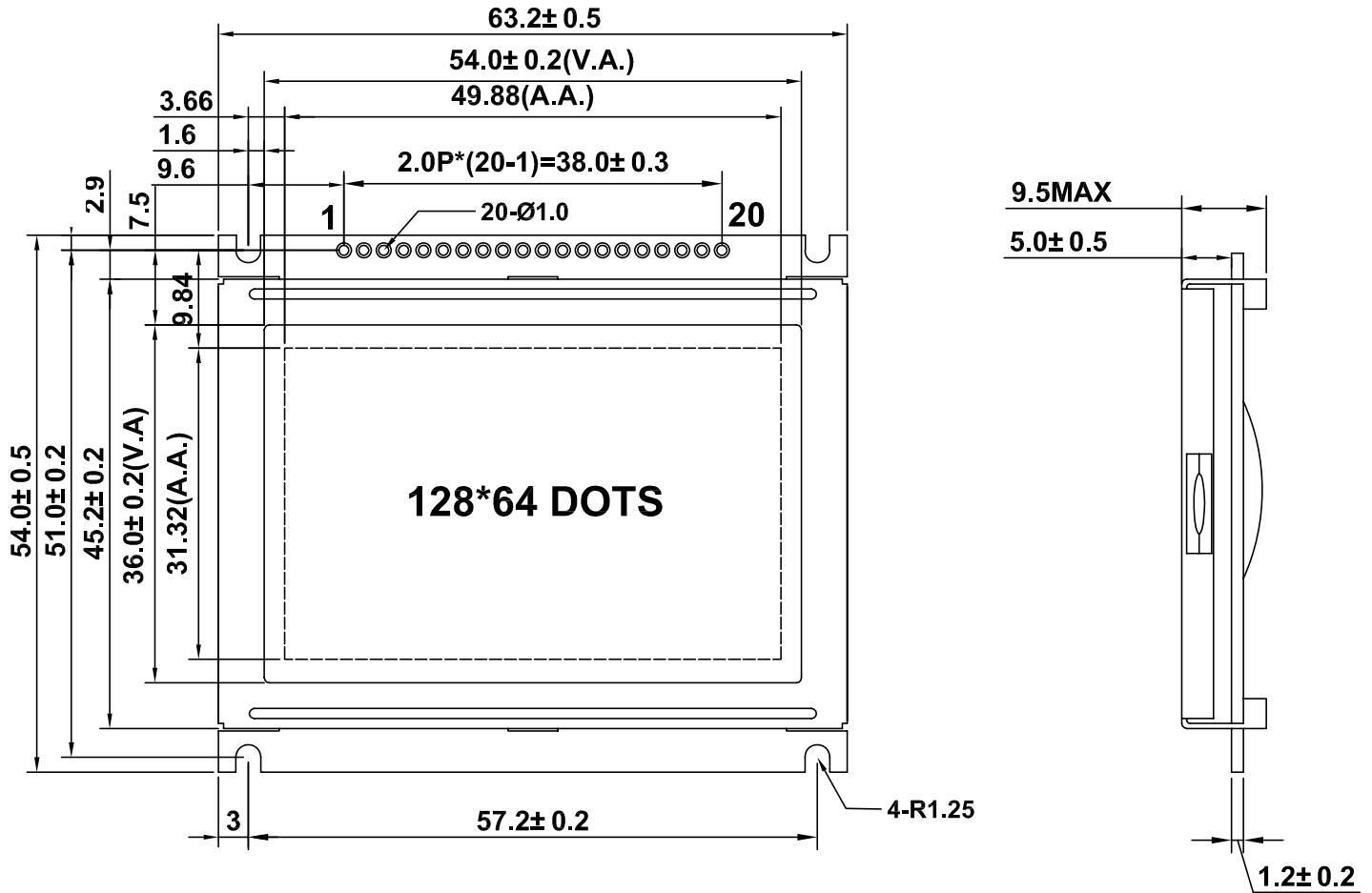


# MC128064F6WE-BNMLW



## DISPALY PATTERN

|                 |  |
|-----------------|--|
| LC FLUID        | <input type="checkbox"/> TN <input type="checkbox"/> HTN <input checked="" type="checkbox"/> STN <input type="checkbox"/> FSTN   |
| POLARIZER TYPE  | <input type="checkbox"/> TRANSLFECTIVE <input checked="" type="checkbox"/> TRANSMISSIVE <input type="checkbox"/> REFLECTIVE<br><input type="checkbox"/> POSITIVE <input checked="" type="checkbox"/> NEGATIVE  |
| LCD COLOR       | <input type="checkbox"/> YELLOW-GREEN <input checked="" type="checkbox"/> BLUE <input type="checkbox"/> GRAY <input type="checkbox"/> BLACK  |
| BACKLIGHT TYPE  | <input type="checkbox"/> Array LED <input checked="" type="checkbox"/> Edge LED <input type="checkbox"/> EL <input type="checkbox"/> CCFL <input type="checkbox"/> Without   |
| BACKLIGHT COLOR | <input type="checkbox"/> YELLOW-GREEN <input type="checkbox"/> BLUE-GREEN <input type="checkbox"/> RED<br><input type="checkbox"/> AMBER <input type="checkbox"/> BLUE <input type="checkbox"/> GREEN <input checked="" type="checkbox"/> WHITE <input type="checkbox"/> Without |
| VIEWING ANGLE   | <input checked="" type="checkbox"/> 6:00 <input type="checkbox"/> 12:00  |
| TEMP. RANGE     | <input type="checkbox"/> STANDARD <input checked="" type="checkbox"/> WIDE <input type="checkbox"/> SUPER WIDE   |
| DC-DC IC        | <input checked="" type="checkbox"/> Bullt-In <input type="checkbox"/> Without  |
| ROHS            | <input checked="" type="checkbox"/> YES <input type="checkbox"/> NO  |
| IC              | NT7107C+NT7108C  |
| REMARKS         | VLCM=5.0V,VLCD=8.9V,VLED=4.0V  |

| PIN | SIGNAL | PIN | SIGNAL |
|-----|--------|-----|--------|
| 1   | VSS    | 11  | DB4    |
| 2   | VDD    | 12  | DB5    |
| 3   | V0     | 13  | DB6    |
| 4   | D/I    | 14  | DB7    |
| 5   | R/W    | 15  | CS1    |
| 6   | E      | 16  | CS2    |
| 7   | DB0    | 17  | /RST   |
| 8   | DB1    | 18  | VOUT   |
| 9   | DB2    | 19  | A      |
| 10  | DB3    | 20  | K      |