

## 34 SERIES

- INDICATOR LIGHTS WITH INTEGRAL CYLINDRICAL FLAT TOP LENS & HOUSING
- PRESSFIT NEON & INCANDESCENT INDICATOR LIGHTS
- 3/8" DIA. MOUNTING HOLE
- 6" WIRE LEADS • 6 TO 250 DESIGN VOLTS
- UL RECOGNIZED • UL FILE E20356

### Overview

The 34 Series Indicators feature a one piece housing with an integral cylindrical flat top lens which is available in a wide variety of voltage options and colors. Indicators are designed to pressfit mount into a 3/8" mounting hole with a recommended panel thickness of 0.020" minimum. A speednut, part number **8700431688**, is supplied.

### Specifications

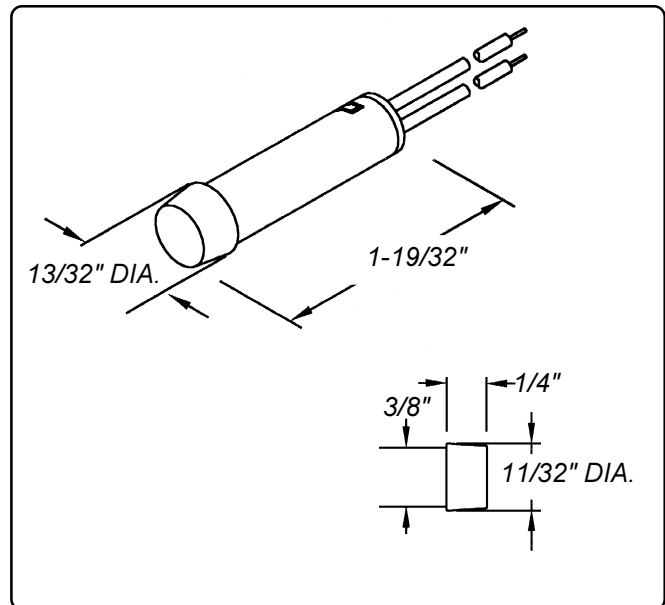
**One Piece Lens/Housing:** nylon.

**Incandescent AC or DC voltage options:** 6, 14 and 28 volts.

**Neon AC or DC voltage options:** 125 and 250 volts.  
**Note:** high brightness green and blue neon lamps supplied in green and blue neon applications.

**Wire leads:**

**6" Leads:** #20 AWG, black, bare copper, PVC insulated, UL/CSA rated 105° C, 600 V, UL style 1015, stripped 1/2". Custom wire lengths, stripping, termination and wire types are available.



Indicator Lights

**Can't find it here? We have many more standard and custom solutions.**

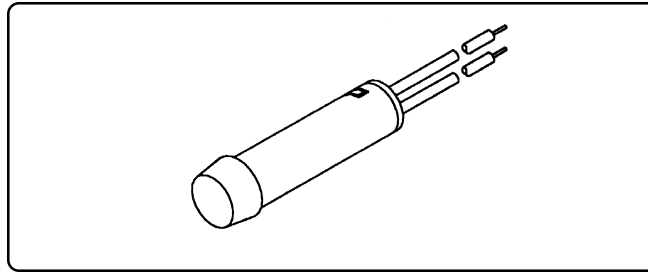
The items in this catalog are only a small representative sample of the complete LC&D-Leecraft product line. We manufacture many additional products which are not shown in this catalog due to space constraints.

Custom products can also be designed uniquely for you by our Technical Support Professionals. Starting from your ideas and specifications, we work with your personnel to develop timely and cost effective solutions for your miniature lighting needs.

LC&D Technical Support Services are provided without charge, and may include designs, prototypes and pre-production samples.

For further information phone Customer Service at 954-425-0123 or complete the "Fast FAX Technical Support Inquiry" form located in the Appendix, page A-1.

**34 Series  
Integral Cylindrical  
Flat Lens  
Variety of  
Lens Colors**



**6" Wire Leads  
Nylon Housing  
Speednut  
Neon or  
Incandescent**

Part Number 6" Wire Leads	Lens Color	Lens Type	Lamp Type	Design Volts	Design Watts or Amps	Life (hrs)
34N-0581	Red	Cylindrical Flat Top	Neon	125	1/3W	25,000
34HN-0581	Red	Cylindrical Flat Top	Neon	250	1/3W	25,000
34NG1-0581	Red	Cylindrical Flat Top	Incandescent	6	.20A	5,000
34NG3-0581	Red	Cylindrical Flat Top	Incandescent	14	.10A	10,000
34NG18-0581	Red	Cylindrical Flat Top	Incandescent	28	.04A	7,000
34N-0582	Green	Cylindrical Flat Top	Neon	125	1/3W	25,000
34HN-0582	Green	Cylindrical Flat Top	Neon	250	1/3W	25,000
34NG1-0582	Green	Cylindrical Flat Top	Incandescent	6	.20A	5,000
34NG3-0582	Green	Cylindrical Flat Top	Incandescent	14	.10A	10,000
34NG18-0582	Green	Cylindrical Flat Top	Incandescent	28	.04A	7,000
34N-0583	Amber	Cylindrical Flat Top	Neon	125	1/3W	25,000
34HN-0583	Amber	Cylindrical Flat Top	Neon	250	1/3W	25,000
34NG1-0583	Amber	Cylindrical Flat Top	Incandescent	6	.20A	5,000
34NG3-0583	Amber	Cylindrical Flat Top	Incandescent	14	.10A	10,000
34NG18-0583	Amber	Cylindrical Flat Top	Incandescent	28	.04A	7,000
34N-0584	Blue	Cylindrical Flat Top	Neon	125	1/3W	25,000
34HN-0584	Blue	Cylindrical Flat Top	Neon	250	1/3W	25,000
34NG1-0584	Blue	Cylindrical Flat Top	Incandescent	6	.20A	5,000
34NG3-0584	Blue	Cylindrical Flat Top	Incandescent	14	.10A	10,000
34NG18-0584	Blue	Cylindrical Flat Top	Incandescent	28	.04A	7,000
34N-0585	White	Cylindrical Flat Top	Neon	125	1/3W	25,000
34HN-0585	White	Cylindrical Flat Top	Neon	250	1/3W	25,000
34NG1-0585	White	Cylindrical Flat Top	Incandescent	6	.20A	5,000
34NG3-0585	White	Cylindrical Flat Top	Incandescent	14	.10A	10,000
34NG18-0585	White	Cylindrical Flat Top	Incandescent	28	.04A	7,000
34N-0587	Clear	Cylindrical Flat Top	Neon	125	1/3W	25,000
34HN-0587	Clear	Cylindrical Flat Top	Neon	250	1/3W	25,000
34NG1-0587	Clear	Cylindrical Flat Top	Incandescent	6	.20A	5,000
34NG3-0587	Clear	Cylindrical Flat Top	Incandescent	14	.10A	10,000
34NG18-0587	Clear	Cylindrical Flat Top	Incandescent	28	.04A	7,000