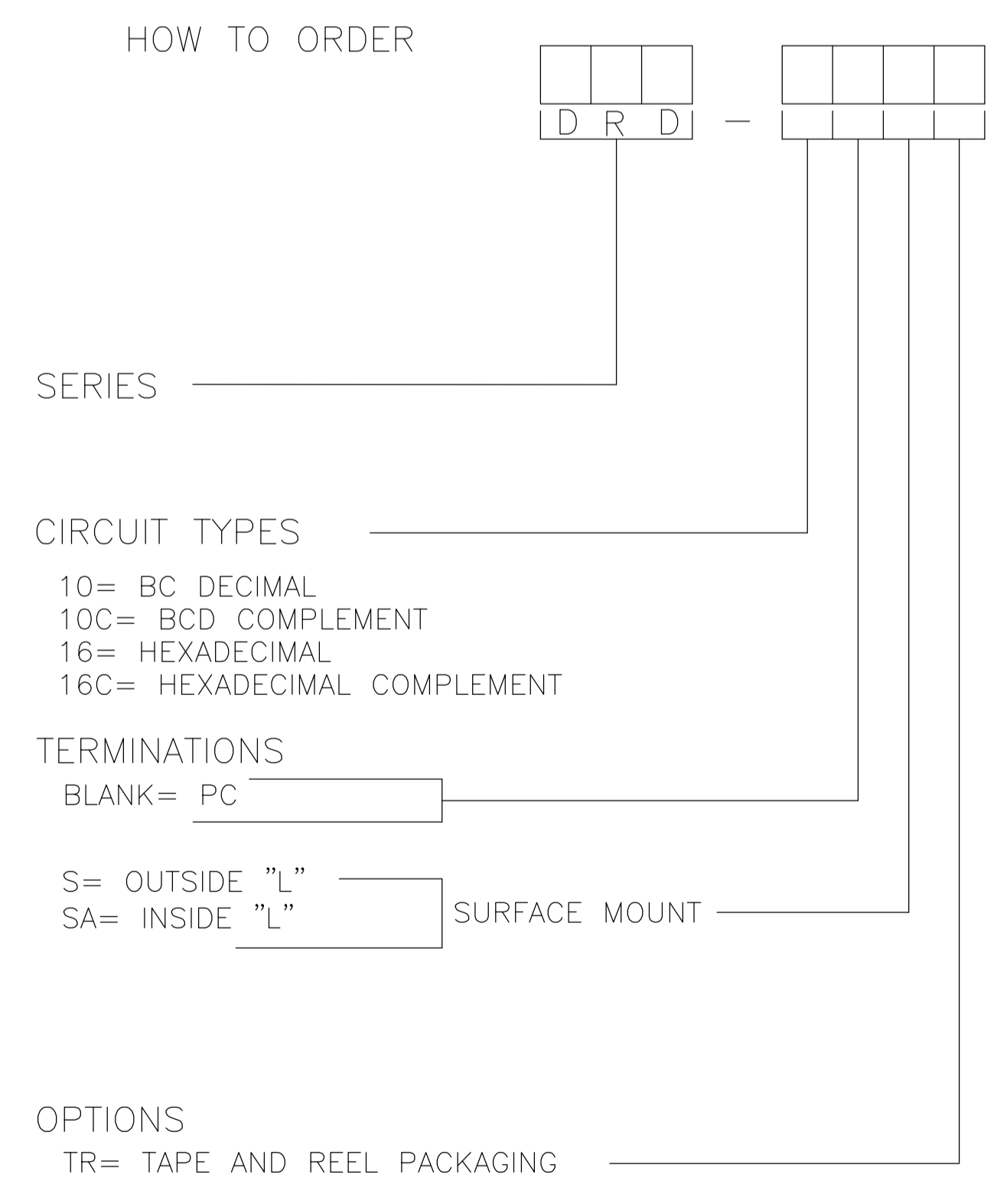


PC MOUNT



SPECIFICATIONS:

MATERIAL:
 FRAME & CASE- PPS UL94V-0, BLACK
 ROTOR, PA6T UL94V-0, COLOR SEE P/N TABLE
 FIXED CONTACT/TERMINAL- COPPER ALLOY, GOLD FLASH OVER NICKEL PLATE
 MOVING CONTACT- COPPER ALLOY, GOLD FLASH OVER NICKEL PLATE
 BALL SUPPORT PLATE- COPPER ALLOY
 BALL- STAINLESS STEEL
 DETENT SPRING- STAINLESS STEEL
 O-RING- SILICON RUBBER

ELECTRICAL:
 CONTACT RATING- 0.4VA@ 20V DC OR PEAK AC
 INITIAL CONTACT RESISTANCE- 50 MILLIOHMS MAX
 INSULATION RESISTANCE- 1,000 MEGOHMS@100V DC
 DIELECTRIC STRENGTH- 300V AC
 LIFE EXPECTANCY- 10,000 ROTATIONS

MECHANICAL:
 OPERATING FORCE- 13.88 OZF.IN. MAX

ENVIRONMENTAL:
 OPERATING TEMPERATURE- -30°C TO +85°C
 STORAGE TEMPERATURE- -45°C TO +100°C
 RESISTANCE TO SOLDER HEAT-PER 109-202, COND B (THRU-HOLE) OR 109-201, COND B (SMT)
 SOLDERABILITY-PER JIS C 0050 & JIS C 0053

NOTES:

- ALL MATERIALS AND FINISHES SHALL COMPLY WITH EU DIRECTIVE 2002/95/EC OF 27JAN2003 (ROHS).
 - TAPE & REEL PACKAGING PER EIA-481.
 - COMMON TERMINALS ARE CONNECTED INTERNALLY.
- △ LOCATE 'ALCO' TRADE NAME AND LOT NUMBER MARKING. LOT NUMBER TO BE MARKED AS FOLLOW:
- 4 F
 1ST DIGIT 2ND DIGIT
 YEAR 1194 MONTH 6
- MARK WITH PERMANENT WHITE INK.
- △ TOP TAPE SEAL INCLUDED.

THRU-HOLE	BLACK	BLACK	DRD16ET04	2-1825007-2
THRU-HOLE	RED	BLACK	DRD10ET04	2-1825007-1
SMT	BLACK	BLACK	DRD16SETR04	2-1825007-0
SMT	BLACK	BLACK	DRD16SAETR04	1-1825007-9
SMT	BLACK	BLACK	DRD16SE04	1-1825007-8
SMT	BLACK	BLACK	DRD16SAE04	1-1825007-7
THRU-HOLE	BLACK	BLACK	DRD16E04	1-1825007-6
SMT	WHITE	BLACK	DRD16CSETR04	1-1825007-5
SMT	WHITE	BLACK	DRD16CSAETR04	1-1825007-4
SMT	WHITE	BLACK	DRD16CSE04	1-1825007-3
SMT	WHITE	BLACK	DRD16CSAE04	1-1825007-2
THRU-HOLE	WHITE	BLACK	DRD16CE04	1-1825007-1
SMT	RED	BLACK	DRD10SETR04	1-1825007-0
SMT	RED	BLACK	DRD10SAETR04	1825007-9
SMT	RED	BLACK	DRD10SE04	1825007-8
SMT	RED	BLACK	DRD10SAE04	1825007-7
THRU-HOLE	RED	BLACK	DRD10E04	1825007-6
SMT	ORANGE	BLACK	DRD10CSETR04	1825007-5
SMT	ORANGE	BLACK	DRD10CSAETR04	1825007-4
SMT	ORANGE	BLACK	DRD10CSE04	1825007-3
SMT	ORANGE	BLACK	DRD10CSAE04	1825007-2
THRU-HOLE	ORANGE	BLACK	DRD10CE04	1825007-1
MTG TYPE	ROTOR COLOR	CASE COLOR	ALCO P/N	PART NO.

THIS DRAWING IS A CONTROLLED DOCUMENT. DIN B.S.VISWESWARA 10MAY05
 CHK M.S.SARVER
 APVD

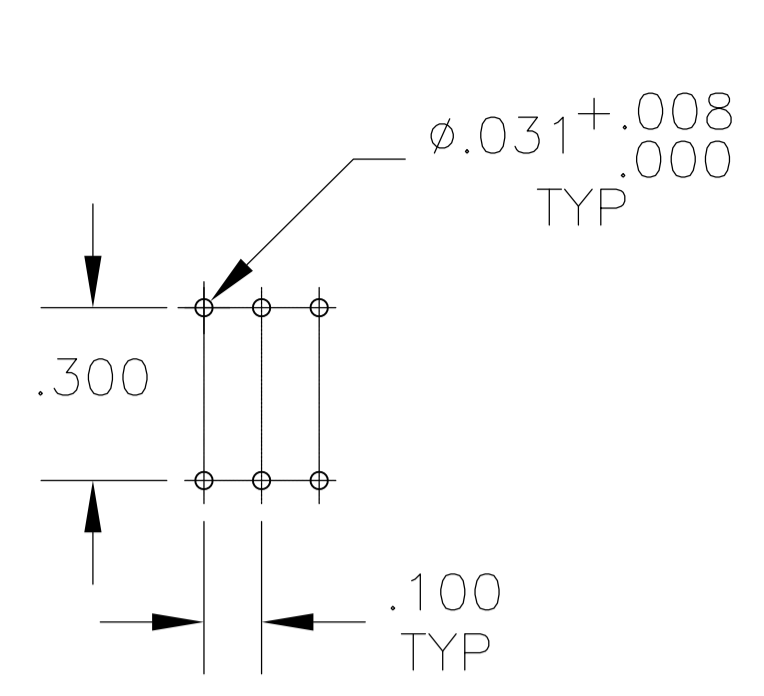
DIMENSIONS: INCHES TOLERANCES UNLESS OTHERWISE SPECIFIED:
 0 PLC ± -
 1 PLC ± -
 2 PLC ± -
 3 PLC ± .010
 4 PLC ± -
 ANGLES ± 1°

MATERIAL SEE NOTE FINISH - WEIGHT -

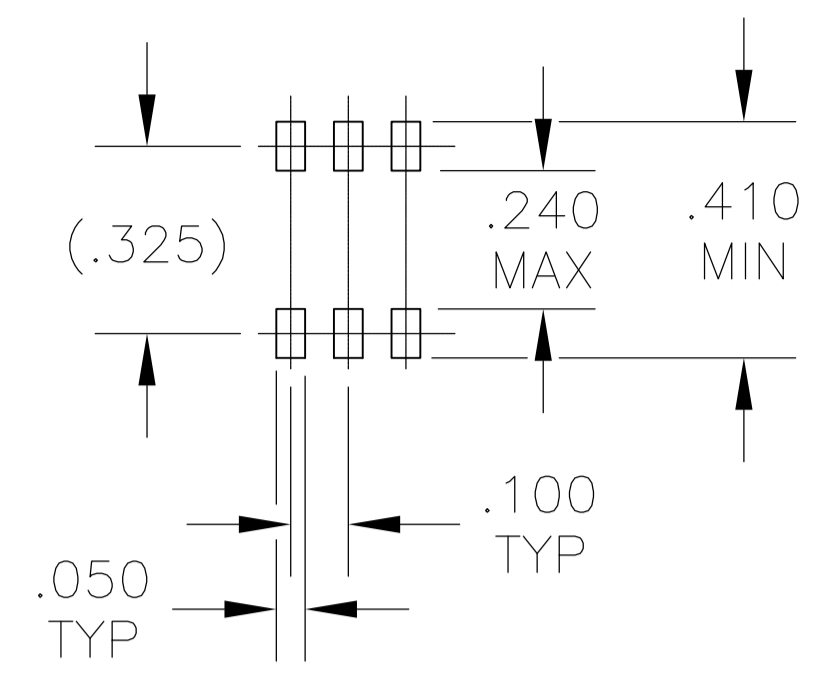
APVD NAME PRODUCT SPEC APPLICATION SPEC SIZE CASE CODE DRAWING NO RESTRICTED TO
 A1 00779 1825007

CUSTOMER DRAWING SCALE 4:1 SHEET 1 OF 2 REV A4

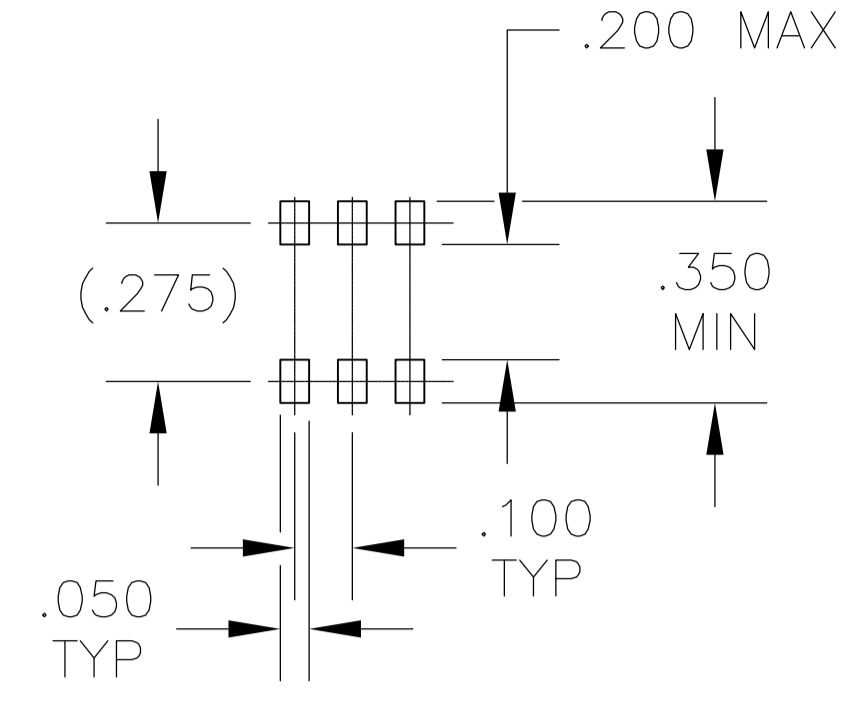
STE TE Connectivity
 ROTARY DIP
 DRD E SERIES



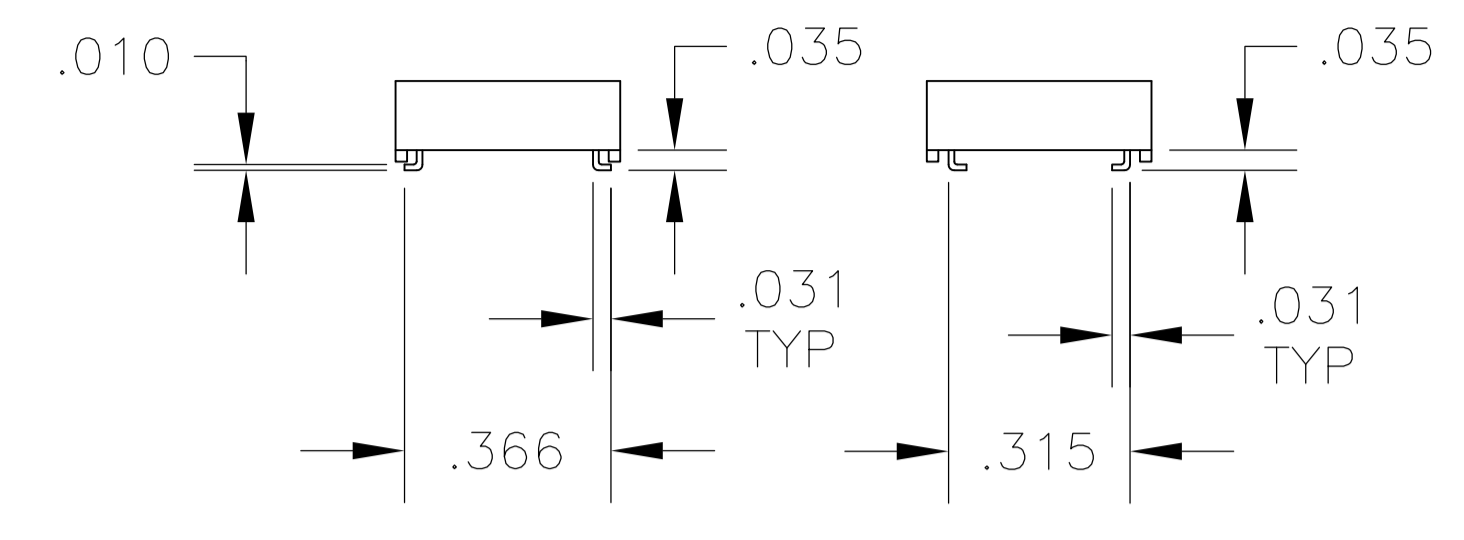
PC



OUTSIDE "L"



INSIDE "L"



OUTSIDE "L" TERMINAL VERTICAL

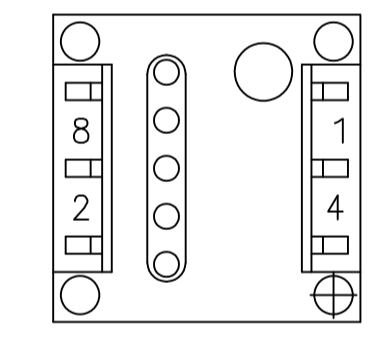
INSIDE "L" TERMINAL VERTICAL

PRINTED CIRCUIT BOARD LAYOUTS

TERMINAL CONFIGURATIONS

TRUTH TABLES

TERMINAL IDENTIFICATION (VIEWED FROM BOTTOM OF SWITCH)



10-POSITION, BCD ROTOR - RED

POS	0	1	2	3	4	5	6	7	8	9
C	X	X	X	X	X	X	X	X	X	X
1		X		X		X		X		X
2			X	X			X	X		
4					X	X	X	X		
8									X	X

16-POSITION, HEXADECIMAL ROTOR - BLACK

POS	0	1	2	3	4	5	6	7	8	9	A	B	C	D	E	F
C	X	X	X	X	X	X	X	X	X	X	X	X	X	X	X	X
1		X		X		X		X		X		X		X		X
2			X	X			X	X			X	X			X	X
4					X	X	X	X				X	X	X	X	X
8									X	X	X	X	X	X	X	X

10 POSITION, BCD COMPLEMENT ROTOR - ORANGE

POS	0	1	2	3	4	5	6	7	8	9
\bar{C}	X	X	X	X	X	X	X	X	X	X
$\bar{1}$	X		X		X		X		X	
$\bar{2}$	X	X			X	X			X	X
$\bar{4}$	X	X	X	X					X	X
$\bar{8}$	X	X	X	X	X	X	X	X		

16-POSITION, HEXADECIMAL COMPLEMENT ROTOR - WHITE

POS	0	1	2	3	4	5	6	7	8	9	A	B	C	D	E	F
\bar{C}	X	X	X	X	X	X	X	X	X	X	X	X	X	X	X	X
$\bar{1}$	X		X		X		X		X		X		X		X	
$\bar{2}$	X	X			X	X			X	X			X	X		
$\bar{4}$	X	X	X	X					X	X	X	X				
$\bar{8}$	X	X	X	X	X	X	X	X								

THIS DRAWING IS A CONTROLLED DOCUMENT.		DIN 10MAY05		TE Connectivity	
DIMENSIONS: INCHES		TOLERANCES UNLESS OTHERWISE SPECIFIED:			
0. PLC ± - 1. PLC ± - 2. PLC ± - 3. PLC ± .010 4. PLC ± - ANGLES ± 1°		M.S. SARVER NAME PRODUCT SPEC APPLICATION SPEC		ROTARY DIP DRD E SERIES	
MATERIAL: SEE NOTE		FINISH: -		SIZE: A1 CAGE CODE: 00779 DRAWING NO: 1825007 WEIGHT: - CUSTOMER DRAWING	
		SCALE: 2:1		SHEET 2 OF 2 REV A4	