

## Key features

- up to 8 watts
- low cost
- choice of height profiles
- flame retardant
- proven reliability
- resistant to pcb solvents
- mechanised assembly



Power Resistors

### type FC series

This small size pluggable, high power resistor is a popular product in the Meggitt Electronic Components range. The resistors are wire wound on to an inert core of glass fibre. The leads and end cap assemblies are firmly crimped onto the core and winding. A particularly resilient silicone cement coating provides a humidity and flameproof seal.

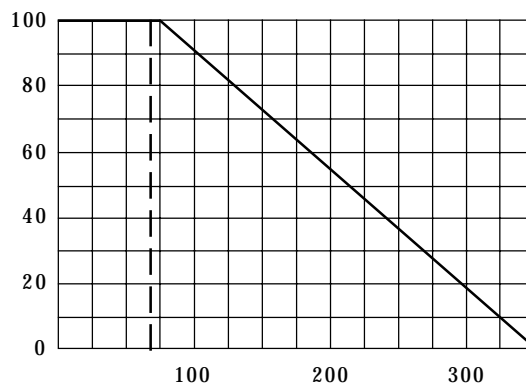
## Specification

### Electrical

Type	Dissipation 70°C	TCR 400±50ppm°C	TCR +40/-80ppm°C	TCR +20ppm°C	Res. Value on Request
FC(0)2	2 W	R20-R24	R27-56R	62R-3K9	7K5
FC(0)4	4 W	R30-R39	R47-82R	100R-5K6	11K
FC(0)6	5 W	R47-R62	R68-150R	180R-15K	20K
FC(0)8	6.5 W	R68-R91	1R0-220R	270R-20K	27K
FC(0)10	8 W	R91-1R2	1R3-270R	330R-22K	30K

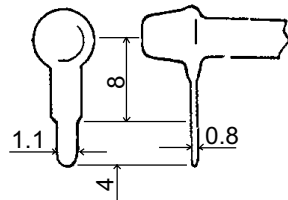
- Resistance Tolerance: ±5% ±10% (<1R0=±10)
- Shelf Life: ΔR% 2% maximum after 3 years
- Load Life: ΔR% 3% maximum after 1000 hours, nominal power
- Overload: ΔR% 2% maximum after 10x rated power 5 seconds
- Climatic Category: 55/200/56 ΔR maximum 3%
- Maximum Operating Voltage:  $\sqrt{P \times R}$
- Flammability: BS415 Clause 20:1
- Marking: Resistor Value - Resistor Tolerance
- Derating: FC Series derate from 100% of power at 70°C to zero at 350°C linearly

### Power Derating Curve

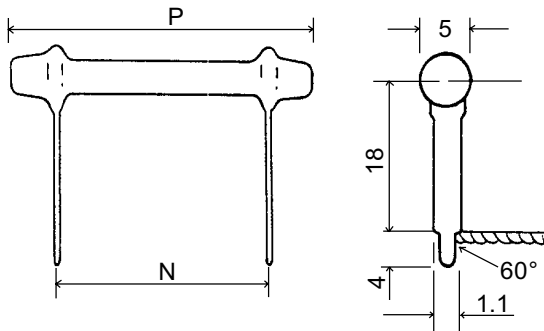


Dimensions

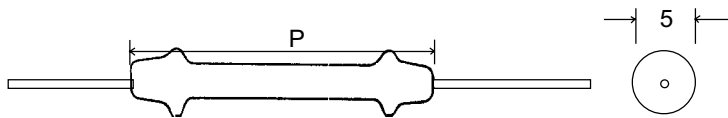
Dimension	FC ( ) 2	FC ( ) 4	FC ( ) 6	FC ( ) 8	FC ( ) 10
N ±0.2mm	10.2	15.0	25.4	35.6	45.7
P (maximum)	19.2	24.0	34.4	44.5	54.7
Nominal Weight (g)	1.20	1.30	1.60	1.80	2.10



FCA



FCB



FCX

Power Resistors

type FC series

They are available in a choice of height profiles and the FCX type can be supplied with axial leads. The FC series is widely used in monitors, power supplies, white goods and brown goods where a low cost, high power resistor is required.

How To Order

Common Part	Resistor Package	Power Rating	Resistor Value	Tolerance
FC - Fibre Core	A - Radial Low Profile Standoff B - Radial High Profile Standoff X - Axial Leaded Resistor	2 - 2 Watts 4 - 4 Watts 6 - 5 Watts 8 - 6.5 Watts 10 - 8 Watts	0.1w (100 milli ohms) R10 1.0w (1000 milli ohms) 1R0 1K0 (1000 ohms) 1K0	J - 5% K - 10% below 1R0

Please Request Full Data Sheet F0410