
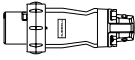
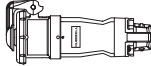













Pin & Sleeve


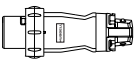
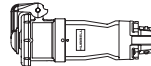








INSULGRIP® Pin & Sleeve Devices Ordering Information

30, 60, 100 and 200 Ampere, 600/250 Voltage AC/DC

Ordering Information**Style I**

Amps	Poles and Wires	Receptacle/Connector Configuration	Maximum Voltage AC/DC				Replacement Interiors	
				Receptacle	Plug	Connector	Connectors & Receptacles	Plugs
30	2P 3W		600/250	HBL330RS1W	HBL330PS1W	HBL330CS1W	IN330FS1	IN330MS1
30	3P 4W		600/250	HBL430RS1W	HBL430PS1W	HBL430CS1W	IN430FS1	IN430MS1
30	4P 5W		600/250	HBL530RS1W	HBL530PS1W	HBL530CS1W	IN530FS1	IN530MS1
60	2P 3W		600/250	HBL360RS1W	HBL360PS1W	HBL360CS1W	IN360FS1	IN360MS1
60	3P 4W		600/250	HBL460RS1W	HBL460PS1W	HBL460CS1W	IN460FS1	IN460MS1
60	4P 5W		600/250	HBL560RS1W	HBL560PS1W	HBL560CS1W	IN560FS1	IN560MS1
100	2P 3W		600/250	HBL3100RS1W	HBL3100PS1W	HBL3100CS1W	IN3100FS1	IN3100MS1
100	3P 4W		600/250	HBL4100RS1W	HBL4100PS1W	HBL4100CS1W	IN4100FS1	IN4100MS1
100	4P 5W		600/250	HBL5100RS1W	HBL5100PS1W	HBL5100CS1W	IN5100FS1	IN5100MS1
200	3P 4W		600/250	HBL4200RS1W	HBL4200PS1W	HBL4200CS1W	IN4200FS1†	IN4200MS1†
200	4P 5W		600/250	HBL5200RS1W	HBL5200PS1W	HBL5200CS1W	IN5200FS1†	IN5200MS1†

Style II

Amps	Poles and Wires	Receptacle/Connector Configuration	Maximum Voltage AC/DC				Replacement Interiors	
				Receptacle	Plug	Connector	Connectors & Receptacles	Plugs
30	2P 3W		600/250	HBL330RS2W	HBL330PS2W	HBL330CS2W	IN330FS2	IN330MS2
30	3P 4W		600/250	HBL430RS2W	HBL430PS2W	HBL430CS2W	IN430FS2	IN430MS2
60	2P 3W		600/250	HBL360RS2W	HBL360PS2W	HBL360CS2W	IN360FS2	IN360MS2
60	3P 4W		600/250	HBL460RS2W	HBL460PS2W	HBL460CS2W	IN460FS2	IN460MS2
100	2P 3W		600/250	HBL3100RS2W	HBL3100PS2W	HBL3100CS2W	IN3100FS2	IN3100MS2
100	3P 4W		600/250	HBL4100RS2W	HBL4100PS2W	HBL4100CS2W	IN4100FS2	IN4100MS2
200	2P 3W		600/250	HBL3200RS2W	HBL3200PS2W	HBL3200CS2W	IN3200FS2†	IN3200MS2†
200	3P 4W		600/250	HBL4200RS2W	HBL4200PS2W	HBL4200CS2W	IN4200FS2†	IN4200MS2†

† Consult factory.

Catalog Numbering System EXAMPLE: HBL430RS2W

Manufacturer	No. of Wires	Amperage	Device Type	Grounding Style	Environment	Specialized
HBL=Hubbell	3=2P 3W 4=3P 4W 5=4P 5W	30=Amp 60=Amp 100=Amp 200=Amp	R=Receptacle P=Plug C=Connector	S1=Style I S2=Style II	W=Watertight, UL Type 4X	R=Reversed Service (See E-26)

New Pole & Wire Terminology

Style I			Style II		
New	Old	No. of Contacts	New	Old	Contacts
2P 3W	2W 2P	2	2P 3W	2W 3P	3
3P 4W	3W 3P	3	3P 4W	3W 4P	4
4P 5W	4W 4P	4			