

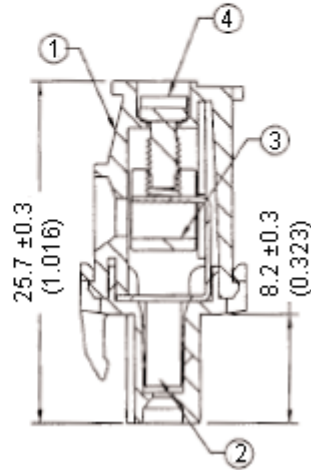
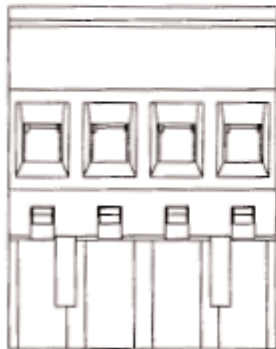
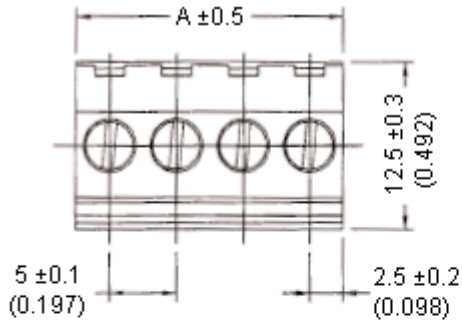


PART NO.

MC0001 - Series

REVISIONS

ECN #	REV	DESCRIPTION	DRAWN	DATE	CHECKD	DATE	APPRVD	DATE
-	A	RELEASED	Asha	12/10/11	Veena	12/10/11		24/10/11



Dimensions : Millimetres (Inches)



Specifications:

Current rating	: 16 amperes, 300 V ac
Minimum insulation withstand voltage	: 2,000 V ac
Insulation resistance	: > 2,000 MΩ 500 V dc
Operating temperature	: -40°C to +105°C
Wire strip length	: 7 mm
Wire range	: 12 to 24 AWG
Screw torque	: 7 lb-inch

Important Notice : This data sheet and its contents (the "Information") belong to the members of the Premier Farnell group of companies (the "Group") or are licensed to it. No licence is granted for the use of it other than for information purposes in connection with the products to which it relates. No licence of any intellectual property rights is granted. The Information is subject to change without notice and replaces all data sheets previously supplied. The Information supplied is believed to be accurate but the Group assumes no responsibility for its accuracy or completeness, any error in or omission from it or for any use made of it. Users of this data sheet should check for themselves the information and the suitability of the products for their purpose and not make any assumptions based on information included or omitted. Liability for loss or damage resulting from any reliance on the Information or use of it (including liability resulting from negligence or where the Group was aware of the possibility of such loss or damage arising) is excluded. This will not operate to limit or restrict the Group's liability for death or personal injury resulting from its negligence. Multicomp is the registered trademark of the Group. © Premier Farnell plc 2011.

TOLERANCES: UNLESS OTHERWISE SPECIFIED, DIMENSIONS ARE FOR REFERENCE PURPOSES ONLY.	DRAWN BY:	DATE:	DRAWING TITLE: 5.0 mm Pluggable - Right Angle Plug				
	Asha	12/10/11					
	CHECKED BY:	DATE:	SIZE	DWG NO.	ELECTRONIC FILE	REV	
	Veena	12/10/11	A	M10002720	MC200-E1xx_DWG	A	
APPROVED BY:	DATE:	SCALE: NTS		U.O.M.: mm (Inches)		SHEET: 1 OF 2	
	26/10/11						



PART NO.

MC0001 - Series

REVISIONS

ECN #	REV	DESCRIPTION	DRAWN	DATE	CHECKD	DATE	APPRVD	DATE
-	A	RELEASED	Asha	12/10/11	Veena	12/10/11		24/10/11

Specification Table

Item No	Material		Plating / Finish	Remark
1	Insulating Body	Polyamide 66	-	Green
2	Contact	Phosphor Bronze	Tin plated	-
3	Cage Clamp	Brass	Ni plated	-
4	Screw	Steel		-

Dimensions Table

Pitch : 5 mm (0.197 inch)		
Poles	A (mm)	A (Inch)
2	10	0.394
3	15	0.591
4	20	0.797
5	25	0.984
6	30	1.181
8	40	1.575
10	50	1.969
12	60	2.362

Part Number Table

Description	Part Number
Plug 5 mm Right Angle 16A 02 Way	MC000144
Plug 5 mm Right Angle 16A 03 Way	MC000145
Plug 5 mm Right Angle 16A 04 Way	MC000146
Plug 5 mm Right Angle 16A 05 Way	MC000147
Plug 5 mm Right Angle 16A 06 Way	MC000148
Plug 5 mm Right Angle 16A 08 Way	MC000149
Plug 5 mm Right Angle 16A 10 Way	MC000150
Plug 5 mm Right Angle 16A 12 Way	MC000151

www.element14.com
www.farnell.com
www.newark.com

Important Notice : This data sheet and its contents (the "Information") belong to the members of the Premier Farnell group of companies (the "Group") or are licensed to it. No licence is granted for the use of it other than for information purposes in connection with the products to which it relates. No licence of any intellectual property rights is granted. The Information is subject to change without notice and replaces all data sheets previously supplied. The Information supplied is believed to be accurate but the Group assumes no responsibility for its accuracy or completeness, any error in or omission from it or for any use made of it. Users of this data sheet should check for themselves the information and the suitability of the products for their purpose and not make any assumptions based on information included or omitted. Liability for loss or damage resulting from any reliance on the Information or use of it (including liability resulting from negligence or where the Group was aware of the possibility of such loss or damage arising) is excluded. This will not operate to limit or restrict the Group's liability for death or personal injury resulting from its negligence. Multicomp is the registered trademark of the Group. © Premier Farnell plc 2011.

TOLERANCES: UNLESS OTHERWISE SPECIFIED, DIMENSIONS ARE FOR REFERENCE PURPOSES ONLY.	DRAWN BY:	DATE:	DRAWING TITLE: 5.0 mm Pluggable - Right Angle Plug			
	Asha	12/10/11				
	CHECKED BY:	DATE:	SIZE A	DWG NO. M10002720	ELECTRONIC FILE MC200-E1xx_DWG	REV A
	Veena	12/10/11				
APPROVED BY:	DATE:	SCALE: NTS		U.O.M.: mm (Inches)		SHEET: 2 OF 2
	26/10/11					