

# AC axial fans

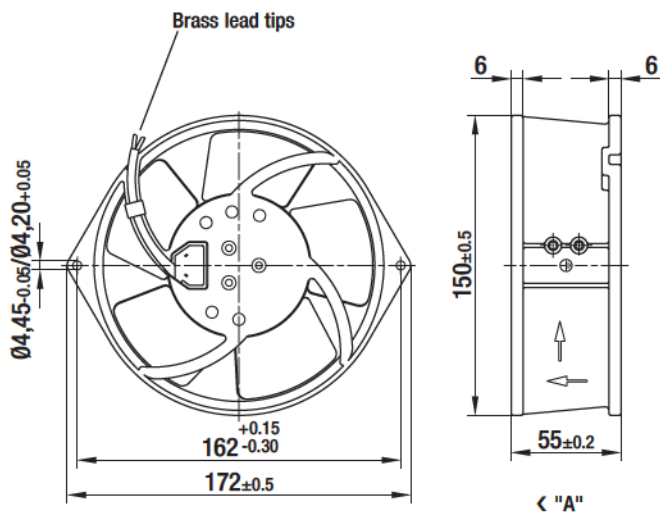
Ø 130



- **Material:**  
Wall ring: Die-cast aluminium, coated in black  
Blades: Sheet steel, coated in black  
Rotor: Open, coated in black
- **Number of blades:** 5
- **Direction of air flow:** "A", intake over struts
- **Direction of rotation:** Counter-clockwise, seen on rotor
- **Type of protection:** IP 20
- **Insulation class:** "B"
- **Mounting position:** Any
- **Condensate discharges:** None
- **Mode of operation:**  
Continuous operation (S1)
- **Bearings:** Maintenance-free ball bearings
- **Motor protection:** TOP wired internally
- **Electrical connection:**  
Cable length 330 mm, beginning at wall ring
- **Protection class:** I
- **Product conforming to standards:**  
EN 60335-1, CE
- **Approvals:** VDE, UL, CSA, CCC, GOST

Nominal data		Curve	Nominal voltage	Frequency	Air flow	Speed/rpm	Power input	Current draw	Capacitor	Sound pressure level	Max. operative range	Perm. amb. temp.	Mass	Electr. connection
Type	Motor		VAC	Hz	m³/h	rpm	W	A	µF/VDB	dB(A)	Pa	°C	kg	p. 416 f.
W2S130-BM15-01	M2S 052-CA	B	1~ 115	50	380	2700	47	—	—	60	—	-25 to +50	1.1	B)
			1~ 115	60	425	3050	46	—	—	62	—	-25 to +70		
W2S130-BM03-01	M2S 052-CA	B	1~ 230	50	380	2700	47	—	—	60	—	-25 to +50	1.1	B)
			1~ 230	60	425	3050	46	—	—	62	—	-25 to +70		

subject to alterations



## Curves

