

# AC plate-mounted axials

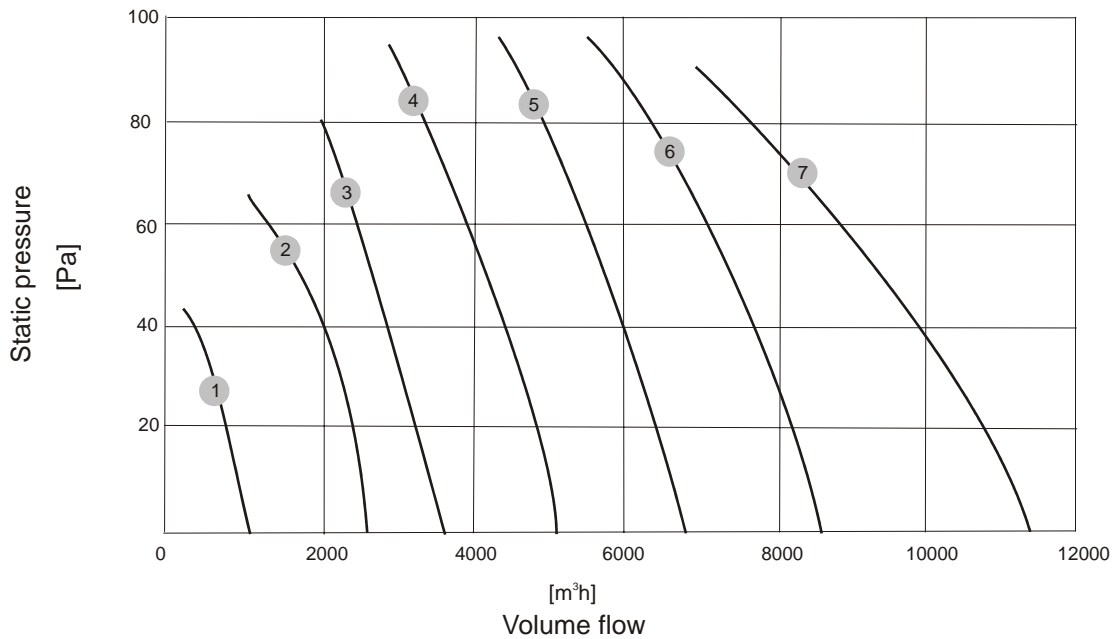
size range Ø250-630mm



- Pressed steel blades with galvanised steel wallplate
- Maintenance free, sealed-for-life bearings
- Thermal protection (TK) lead-out
- Corrosion resistant black coating
- IP54 terminal box
- 100% speed controllable motors
- Inlet guard

| Dimensions     |             | Nominal voltage | Frequency | Airflow           | Speed/rpm         | Max Power Input | Max Current Draw | Sound pressure @ 7m | Perm amb. temp. | Mass | Insulation class | IP rating |
|----------------|-------------|-----------------|-----------|-------------------|-------------------|-----------------|------------------|---------------------|-----------------|------|------------------|-----------|
| Order code     | Curve       | VAC             | Hz        | m <sup>3</sup> /h | min <sup>-1</sup> | W               | A                | dB(A)               | °C              | kg   |                  |           |
| W4E250-DI02-08 | M4E068-BF 1 | 230             | 50        | 1010              | 1400              | 47              | 0.21             | 37                  | 45              | 3.4  | B                | 44        |
| W4E315-DP18-38 | M4E068-DF 2 | 230             | 50        | 2440              | 1410              | 120             | 0.56             | 42                  | 55              | 5.5  | B                | 44        |
| W4E350-DP06-39 | M6E068-EC 3 | 230             | 50        | 3250              | 1365              | 180             | 0.78             | 47                  | 60              | 6.8  | F                | 44        |
| W4E400-DS02-38 | M4E074-GA 4 | 230             | 50        | 5000              | 1400              | 300             | 1.35             | 52                  | 60              | 7.3  | F                | 44        |
| W4E450-DT05-15 | M4E094-HA 5 | 230             | 50        | 6640              | 1400              | 470             | 2.2              | 51                  | 70              | 9.6  | F                | 54        |
| W4E500-DZ09-20 | M4E094-HA 6 | 230             | 50        | 8322              | 1347              | 953             | 4.8              | 55                  | 60              | 13.5 | F                | 54        |
| W6E630-DE01-20 | M6E110-GF 7 | 230             | 50        | 11220             | 870               | 560             | 2.5              | 52                  | 60              | 20.5 | F                | 54        |

Subject to alterations

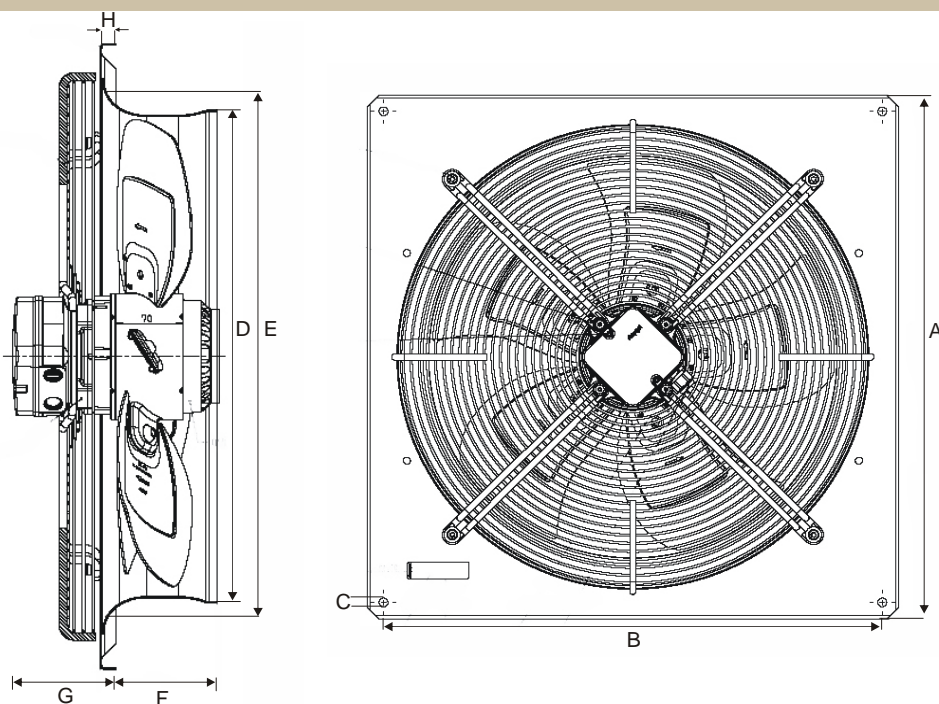


## Controller options

## Dimensions

| DOL  | Elec  | Trans  | A   | B   | C  | D   | E   | F   | G  | H  |
|------|-------|--------|-----|-----|----|-----|-----|-----|----|----|
| -*   | REE10 | TRE1.5 | 370 | 320 | 7  | 254 | 265 | 49  | 73 | 6  |
| TFE2 | REE10 | TRE1.5 | 430 | 380 | 9  | 345 | 355 | 62  | 78 | 11 |
| TFE2 | REE10 | TRE1.5 | 485 | 435 | 9  | 388 | 400 | 68  | 79 | 16 |
| TFE2 | REE30 | TRE1.5 | 540 | 490 | 9  | 417 | 425 | 86  | 79 | 16 |
| TFE2 | REE30 | TRE4   | 576 | 535 | 11 | 465 | 480 | 86  | 81 | 16 |
| TFE2 | REE50 | TRE7.5 | 656 | 615 | 11 | 515 | 535 | 102 | 95 | 16 |
| TFE2 | REE30 | TRE4   | 805 | 750 | 11 | 653 | 696 | 130 | 60 | 20 |

\* only suitable for line currents between 0.4-10amps



# TRE and TRE..TK Series single-phase transformer controllers



**General remarks:** The TRE and TRE..TK series of transformer controllers for single phase AC fans and motors, provide energy saving speed control without the creation of additional motor noise which you get with most electronic controllers. Vacuum impregnation further reduces electrical noise from the transformers. Available for total load current of up to 7.5 Amps, a rotary switch selects one of 5 different voltages.

The standard product has a simple fan/motor connection without provision for thermal overload protection. Use of a separate motor protection device is recommended.

The TK version has connections for motor thermal overload protection. When connected, an overheat condition will cause the motor supply to trip off. It can only be restarted after the motor has cooled and either power disconnected from the controller or the selector switch cycled through the off setting.

| Nominal data | Nominal voltage | Frequency | Max output | Thermal overload protection | Mass | Max. amb. temp | Protection rating | Width | Height | Depth | Mounting hole spacing | Mounting hole diameter |
|--------------|-----------------|-----------|------------|-----------------------------|------|----------------|-------------------|-------|--------|-------|-----------------------|------------------------|
| Type         | V               | Hz        | A          |                             | kg   | °C             |                   | mm    | mm     | mm    | mm                    | mm                     |
| TRE2         | 230             | 50/60     | 2.0        | No                          | 3.5  | 40             | IP54              | 200   | 150    | 150   | 144 x 98              | 5.5                    |
| TRE4         | 230             | 50/60     | 4.0        | No                          | 6.0  | 40             | IP54              | 200   | 150    | 150   | 144 x 98              | 5.5                    |
| TRE7.5       | 230             | 50/60     | 7.5        | No                          | 7.5  | 40             | IP54              | 200   | 150    | 150   | 144 x 98              | 5.5                    |
| TRE2TK       | 230             | 50/60     | 2.0        | Yes                         | 3.5  | 40             | IP54              | 200   | 150    | 150   | 144 x 98              | 5.5                    |
| TRE4TK       | 230             | 50/60     | 4.0        | Yes                         | 6.0  | 40             | IP54              | 200   | 150    | 150   | 144 x 98              | 5.5                    |
| TRE7.5TK     | 230             | 50/60     | 7.5        | Yes                         | 7.5  | 40             | IP54              | 200   | 150    | 150   | 144 x 98              | 5.5                    |

Subject to alterations Please contact us for higher rated controllers.

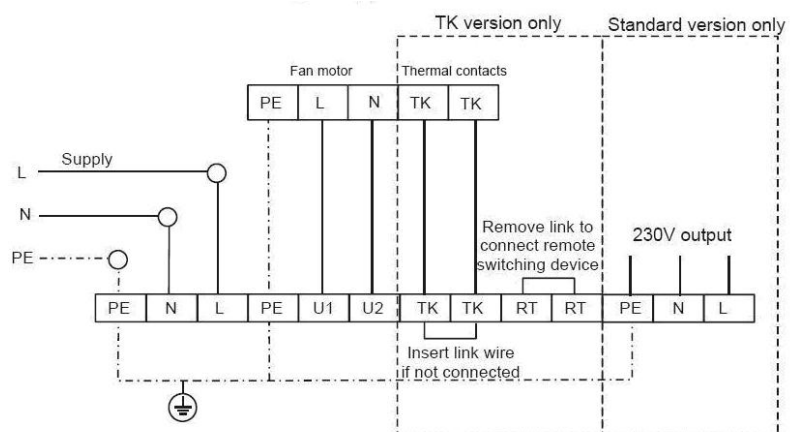
## Wiring diagram

### Specifications

- Output Voltage Steps: 105/130/145/160/230V
- Unregulated 230V switched output for dampers etc.
- Vacuum resin impregnated transformers
- Conforms to EN61558-1 and EN61558-2-13

### TK Versions

- Motor protection by connection of motor thermal contacts
- Power on (Green) and Overheat (Red) indication lamps
- Remote switching through thermostat connection



# Speed controllers - REE



- **General remarks:** These manual, single-phase electronic control devices provide a simple solution to speed controlling single or multiple fans, it has a manual dial, which can alter the fan speed from a minimum setting (factory set to approx 20%) to 100%.

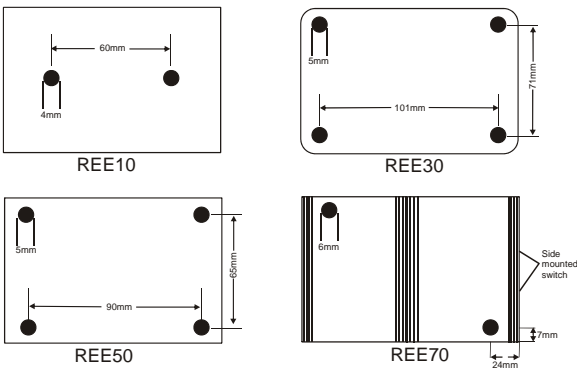
### Features:

- 230V 50Hz single phase AC input
- Current rating options - 1, 3, 5 & 7 Amps
- On/Off switch
- Internal pre-set for minimum speed
- Two wire control - for simple connection
- Three wire control - lower motor running temperature (increased fan life) and improved speed adjustment response.

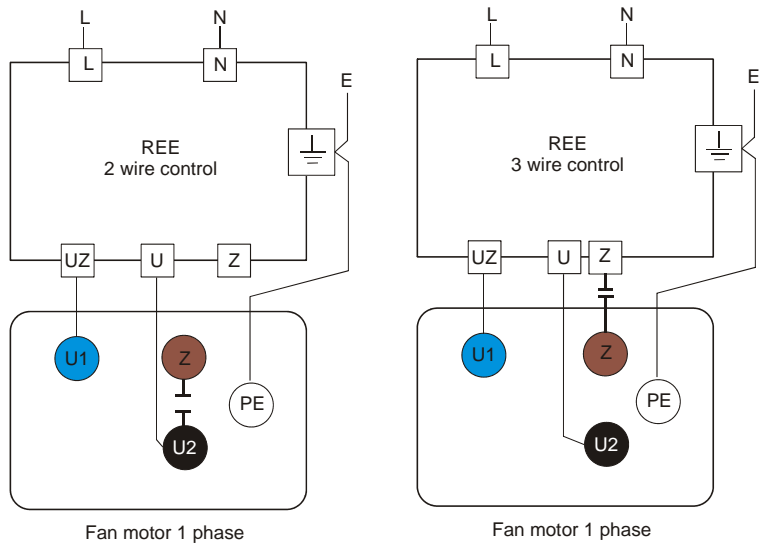
| Nominal data | Nominal voltage | Frequency | Max. current rating | Max. amb. temp. |
|--------------|-----------------|-----------|---------------------|-----------------|
| Type         | VAC             | Hz        | A                   | °C              |
| REE10        | 230             | 50        | 1                   | 40              |
| REE30        | 230             | 50        | 3                   | 40              |
| REE50        | 230             | 50        | 5                   | 40              |
| REE70        | 230             | 50        | 7                   | 40              |

Subject to alterations

### Rear mounting diagram



### Connection diagram Line voltage 230V 50/60 Hz



### Electromagnetic compatibility

These controllers comply with the relevant EC council Directives, EMC Directive 89/336/EEC and amendment 92/31/EEC. Applied Harmonised standards BS EN61000-6-3 and BS EN 61000-6-4.