



FWA220 Series

220 Watts ITE Desktop Power Supply

- High Efficiency
- High Power Density 5.9W/in³
- 5-Year Limited Warranty
- LED Status Indicator
- IPX1 Rated
- Hold-up Time > 25ms at full load
- ITE Approval - EN609501-1 Class I
- Level V, EISA, EuP Directive Compliant
- CEC Compliant

| Elpac Part Number | Output Voltage | Output Current | Peak Current | Total Regulation | Typical Efficiency |
|-------------------|----------------|----------------|--------------|------------------|--------------------|
| FWA220012A-13B | 12.0V | 18.3A | 19.0A | ±5% | 89% |
| FWA220015A-13B | 15.0V | 14.6A | 15.2A | ±5% | 89% |
| FWA220018A-13B | 18.0V | 12.2A | 12.7A | ±5% | 90% |
| FWA220024A-12B | 24.0V | 9.2A | 9.5A | ±5% | 90% |
| FWA220028A-12B | 28.0V | 7.8A | 8.0A | ±5% | 90% |
| FWA220032A-12B | 32.0V | 6.8A | 7.0A | ±5% | 91% |
| FWA220048A-11B | 48.0V | 4.6A | 4.7A | ±5% | 91% |

Input


| | |
|---------------------------------|---|
| Input Voltage | 85 - 264VAC; 100 - 240VAC Nominal |
| Input Frequency | 47 - 63Hz |
| Input Current | <3A rms |
| Inrush Current | <37A at 230VAC cold start |
| Power Factor | >0.97 |
| Zero Load Power Consumption | <0.5W |
| Earth Leakage Current (Typical) | <2050µA @ 132VAC @ 60Hz (typical) <300µA @ 264VAC @ 60Hz (typical) |

Output

| | |
|-----------------------------|--|
| Output Voltage | See Table |
| Total Regulation | +/-5% |
| Minimum Load | No minimum load required |
| Start-Up Delay | <1.5s |
| Hold-Up Time | >25ms at any input voltage |
| Ripple & Noise | <1% pk-pk * |
| Over Voltage Protection | 110-135% |
| Over Temperature Protection | Active - Recoverable; plus Passive - Non Recoverable |
| Over Current Protection | 105 - 110% |
| Short Circuit Protection | shutdown, auto-restart (hiccup mode) |

| General | |
|---------------|---|
| Efficiency | Avg. Efficiency 90.5@ 115VAC; 92.5@230VAC |
| MTBF | min 200,000 hours demonstrated |
| Size | 8.2" (208mm) x 2.9" (73mm) x 1.6" (39mm) |
| Weight | 2.1 lbs (0.95kg) |
| Power Density | 5.9 W/in ³ |

| Environmental | |
|-----------------------|---|
| Operating Temperature | 0 – 60°C (Full load to 40°C, derate linearly to 50% load at 60°C) |
| Storage Temperature | -40°C to +85°C |
| Relative Humidity | 5-95%, non-condensing |
| Cooling | Natural Convection |
| Vibration | All units production tested to 19.6m/s ² |

| EMC & Safety | |
|---|--|
| Emissions | FCC class B, CISPR22 class B EN61000-3-2, -3 |
| Immunity | EN61000-4-2, -3, -4, -5, -6, -8, -11 |
| Certified by TUV to the following: | cTUVus |
|  | UL 60950-1 2nd edition |
| | CAN/CSA-22.2 No.60950-1 |
| | CB per IEC60950-1 |
| | CE marked to LVD & EMC Directive |

Input Configuration

| | |
|---------------------------------|---|
| Standard Input Cable | 6 ft cable with US standard (Nema 5-15) 3 prong connector |
| Connection on Power Supply Body | IEC 320 C14 Receptacle |

Output Configuration (12V - 18V)

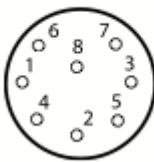
| | |
|-----------------------|--------------------------------|
| Standard Output Cable | 4 ft. |
| Cord Size | 4x16awg |
| Connector (PSU side) | Molex 6 pin P/N 39-01-2065 |
| Mating Connector | Molex 39-01-2061 or 26-01-3116 |

Output Configuration (24V - 32V)

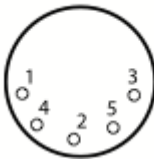
| | |
|-----------------------|--|
| Standard Output Cable | 6 ft. |
| Cord Size | 4x18awg |
| Connector (PSU side) | Switchcraft DIN-8, P/N 15BL8MX (male pins) |
| Mating Connector | Switchcraft 62GB8FX (8 pin) or equivalent |

Output Configuration (48V)

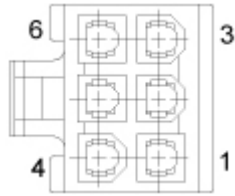
| | |
|-----------------------|--|
| Standard Output Cable | 6 ft. |
| Cord Size | 2x16awg |
| Connector (PSU side) | Switchcraft DIN-5, P/N 05GM5MX (male pins) |
| Mating Connector | Switchcraft 57GB5FX (5 pin) or equivalent |

Output Pin Assignments**DIN-8**

| | |
|-------|--------|
| Pin 1 | +V1 |
| Pin 2 | +V1 |
| Pin 3 | Return |
| Pin 4 | +V1 |
| Pin 5 | Return |
| Pin 6 | +V1 |
| Pin 7 | Return |
| Pin 8 | Return |

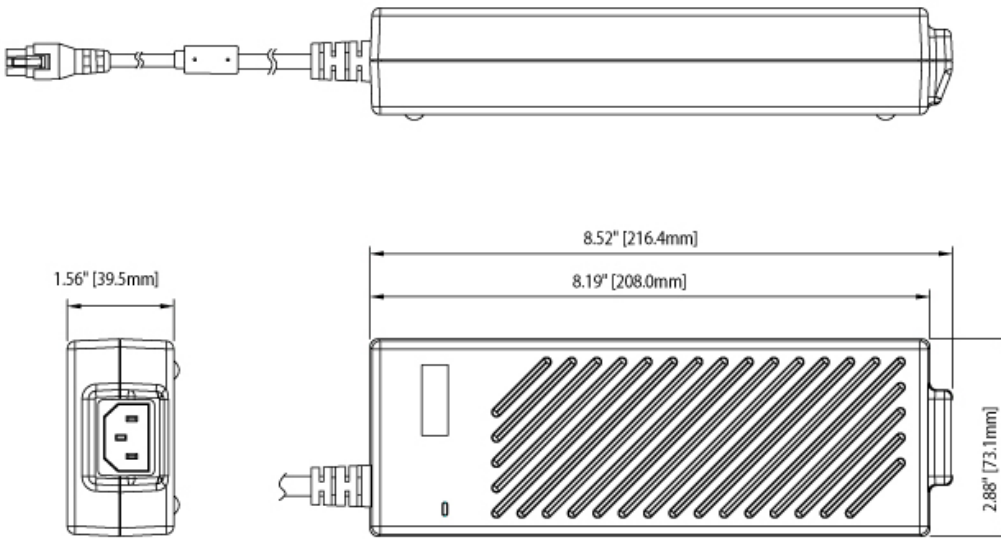
Output Pin Assignments**DIN-5**

| | |
|-------|--------|
| Pin 1 | Return |
| Pin 2 | Return |
| Pin 3 | +V1 |
| Pin 4 | Return |
| Pin 5 | +V1 |

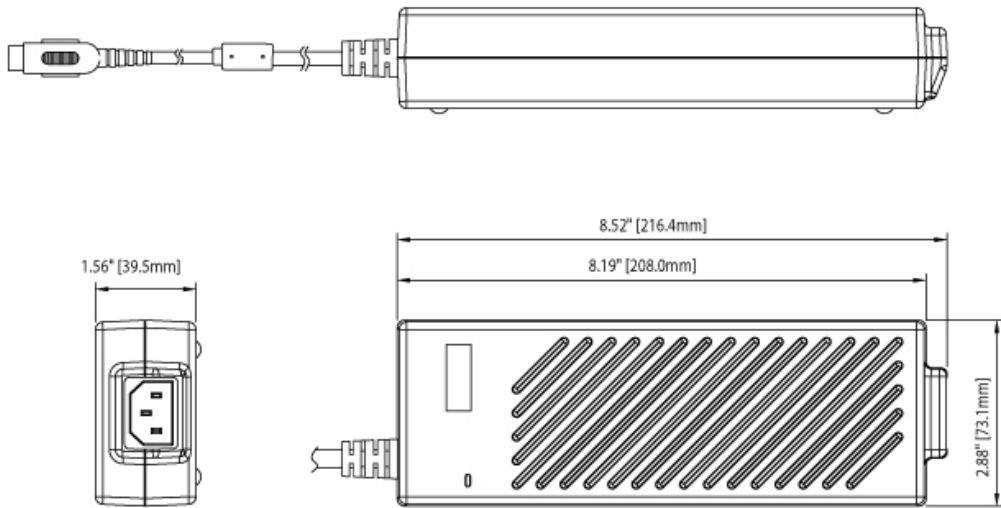
Output Pin Assignments (12V-18V)

| | |
|-------|----------|
| Pin 1 | Return |
| Pin 2 | Return |
| Pin 3 | Shield |
| Pin 4 | +V1 |
| Pin 5 | +V1 |
| Pin 6 | Not Used |

12V Model



24V-48V Models



Inventory Results For FWA220

| Part Number | Distributor | Quantity | Inv. Date |
|-------------|-------------|----------|-----------|
|-------------|-------------|----------|-----------|

FWA220 | ICCNEXERGY | © 2011 |