

SKB B...C1500L5B



Miniature Bridge Rectifiers

SKB B...C1500L5B

Features

- Compact plastic package with in-line terminals
- High blocking voltage

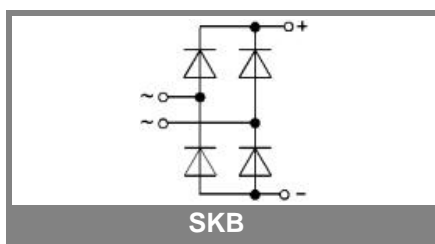
Typical Applications

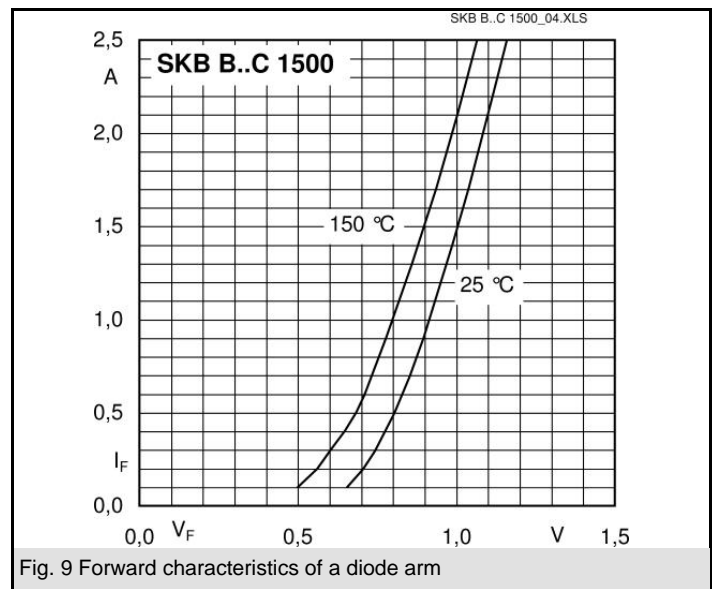
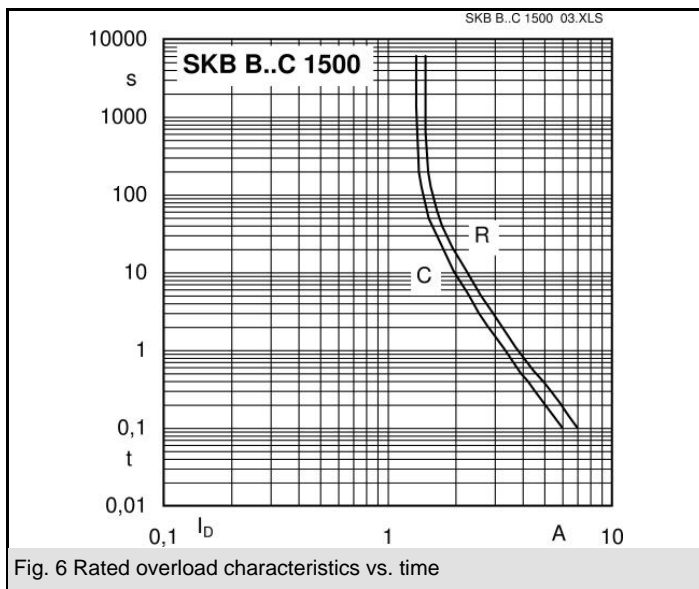
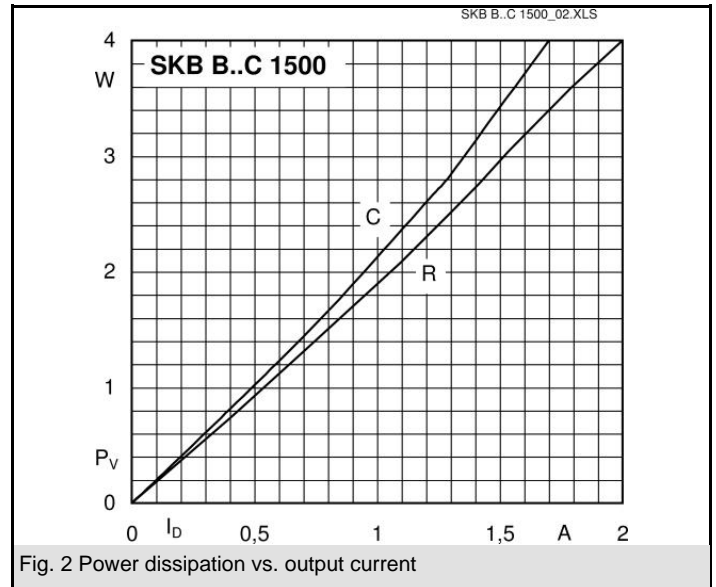
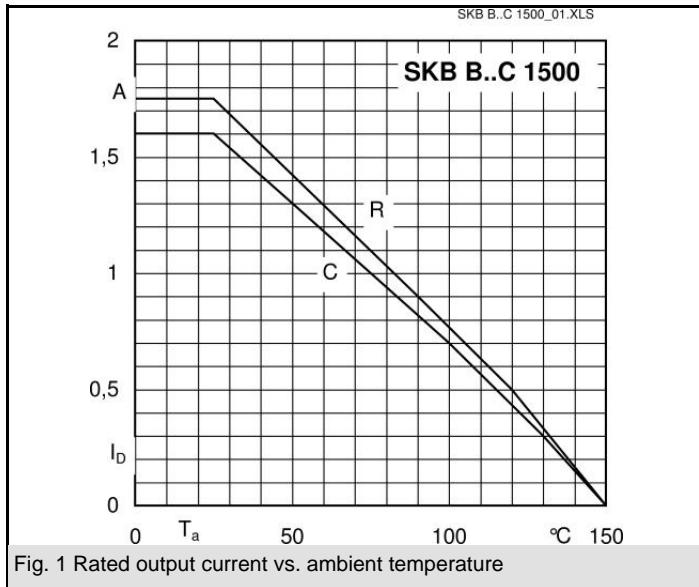
- Internal power supplies for electronic equipment
- DC power supplies
- Control equipment
- TV sets
- Recommended snubber network:
RC: 10 nF, 20...50 Ω ($P_R = 1 \text{ W}$)

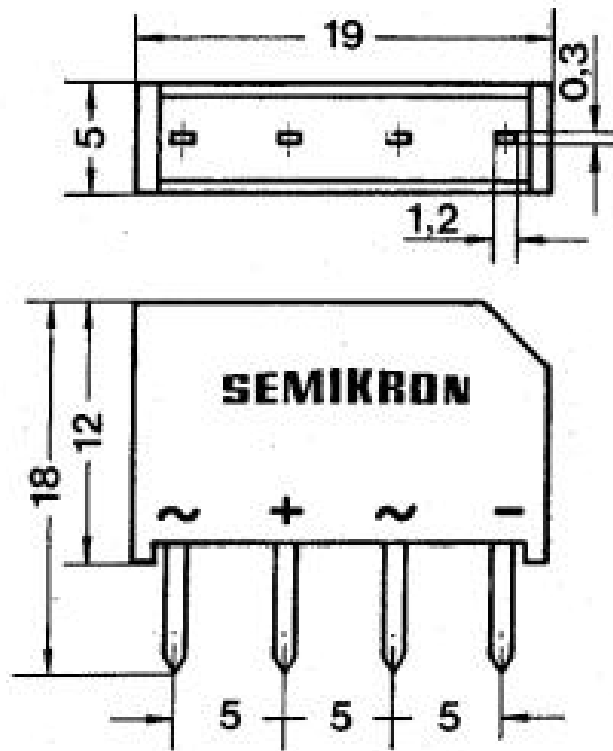
1) Freely suspended or mounted on an insulator

V_{RSM}, V_{RRM} V	V_{VRMS} V	$I_D = 2,5 \text{ A } (T_a = 45 \text{ }^\circ\text{C})$ Types	C_{max} μF	R_{min} Ω
120	40	SKB B40C1500L5B	7000	0,4
400	125	SKB B80C1500L5B	2200	1,1
800	250	SKB B250C1500L5B	1000	2,5
1000	380	SKB B380C1500L5B	700	4
1200	500	SKB B500C1500L5B	500	5

Symbol	Conditions	Values	Units
I_D	$T_a = 45 \text{ }^\circ\text{C}$, isolated ¹⁾ $T_a = \text{ }^\circ\text{C}$,	1,5	A
I_{DCL}	$T_a = 33 \text{ }^\circ\text{C}$, isolated ¹⁾ $T_a = \text{ }^\circ\text{C}$, $T_a = \text{ }^\circ\text{C}$,	1,5	A
I_{FSM}	$T_{vj} = 25 \text{ }^\circ\text{C}$, 10 ms $T_{vj} = 150 \text{ }^\circ\text{C}$, 10 ms	80 70	A A
i^2t	$T_{vj} = 25 \text{ }^\circ\text{C}$, 8,3 ... 10 ms $T_{vj} = 150 \text{ }^\circ\text{C}$, 8,3 ... 10 ms	32 24,5	A ² s A ² s
V_F	$T_{vj} = 25 \text{ }^\circ\text{C}$, $I_F = 10 \text{ A}$	max. 1,5	V
$V_{(TO)}$	$T_{vj} = 150 \text{ }^\circ\text{C}$	max. 0,85	V
r_T	$T_{vj} = 150 \text{ }^\circ\text{C}$	max. 60	mΩ
I_{RD}	$T_{vj} = 25 \text{ }^\circ\text{C}$, $V_{RD} = V_{RRM} = 120 \text{ V}$	20	μA
I_{RD}	$T_{vj} = 25 \text{ }^\circ\text{C}$, $V_{RD} = V_{RRM} \geq 400 \text{ V}$	5	μA
I_{RD}	$T_{vj} = 150 \text{ }^\circ\text{C}$, $V_{RD} = V_{RRM} = 120 \text{ V}$	1	mA
I_{RD}	$T_{vj} = 150 \text{ }^\circ\text{C}$, $V_{RD} = V_{RRM} \geq 400 \text{ V}$	0,6	mA
t_{tr}	$T_{vj} = 25 \text{ }^\circ\text{C}$	10	μs
f_G		2000	Hz
$R_{th(j-a)}$	isolated ¹⁾	36	K/W K/W
T_{vj}		- 40 ... + 150	$^\circ\text{C}$
T_{stg}		- 55 ... + 150	$^\circ\text{C}$
V_{isol}			V~
M_s			Nm
M_t			Nm
a			m/s ²
w		2	g
F_u		2	A
Case		G 2	







Case G 2

This technical information specifies semiconductor devices but promises no characteristics. No warranty or guarantee expressed or implied is made regarding delivery, performance or suitability.