

Toggle Switches



Specifications:

Electrical:

Maximum contact rating	: Silver : 3 A at 120 V ac or 28 V dc, 1 A at 250 V ac (SPC21220, SPC21221, SPC21225, SPC21227, SPC21228, SPC21229, SPC21233, SPC21235) : Gold : 0.4 VA at 20 V (ac or dc) (SPC21222, SPC21223, SPC21224, SPC21230, SPC21231, SPC21232, SPC21226, SPC21234)
Maximum contact resistance	: 20 mΩ
Minimum insulation resistance	: 1,000 MΩ at 500 V dc
Dielectric strength	: 1,000 V rms

Mechanical:

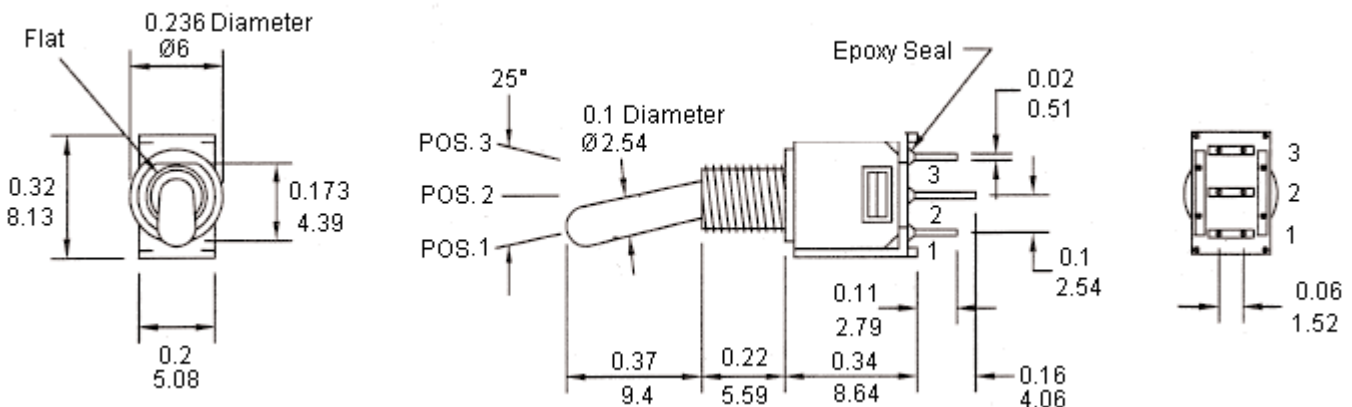
Life : 30,000 Cycles

Environmental:

Operating temperature : -30°C to +85°C

Material:

Case	: DAP
Housing	: Stainless steel
Actuator	: Brass, chrome plated
Bushing	: Brass, nickel plated
Support	: Brass, tin plated
Contact / Terminals	: Copper alloy, silver or gold plated



Dimensions : Inches (Millimetres)

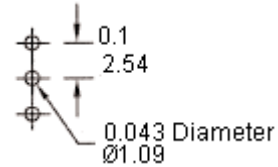
Toggle Switches



Model No.	Switching Position		
SPC21220-SPC21227	ON	NONE	ON
SPC21228-SPC21235	ON	OFF	ON
Conn. Terms	2-3	OPEN	2-1
Schematic	SPDT		

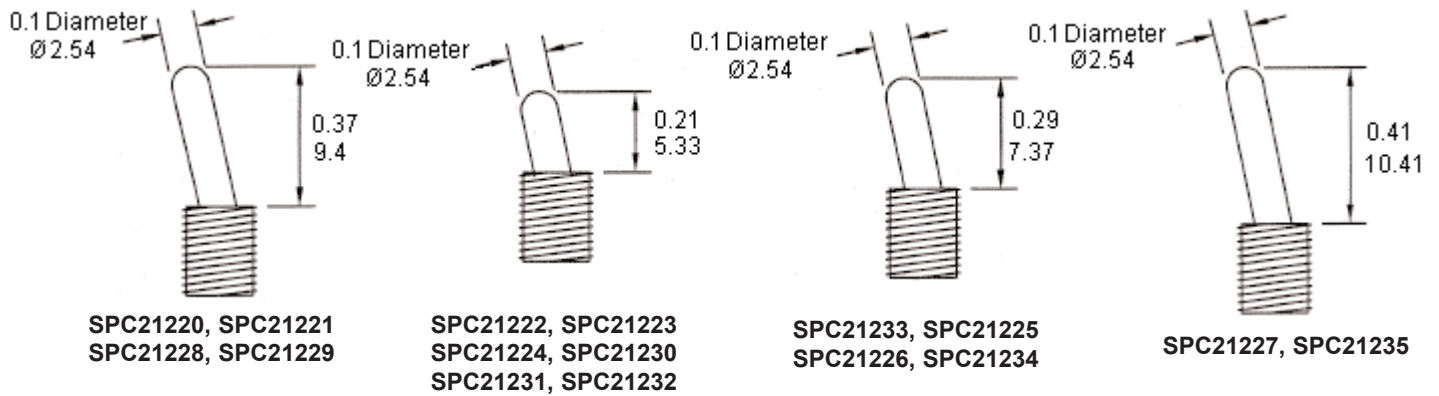
For PC Mount Termination Only

PCB Layout
Component Side
(Tolerance = ± 0.1)



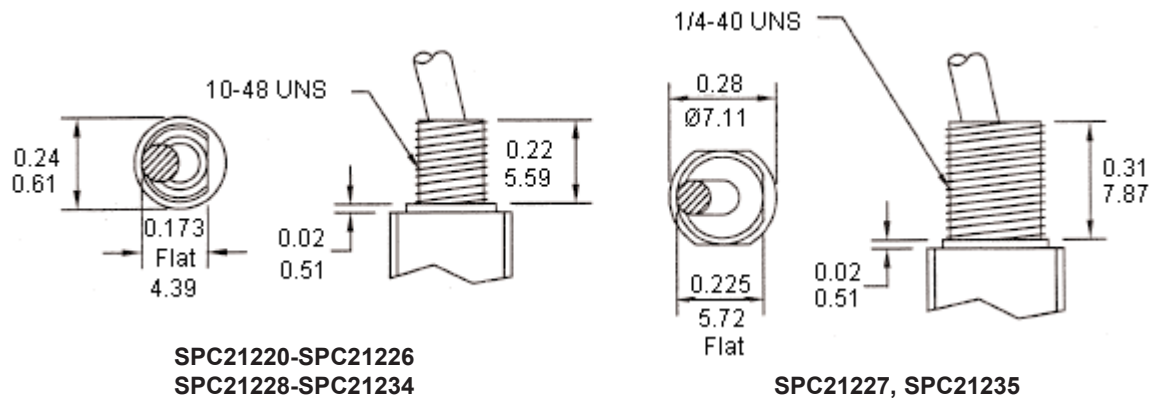
Dimensions : Inches (Millimetres)

Actuator Options



Dimensions : Inches (Millimetres)

Bushing Options

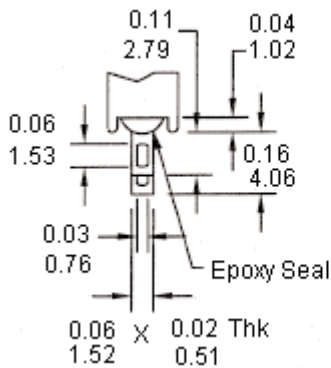


Dimensions : Inches (Millimetres)

Toggle Switches

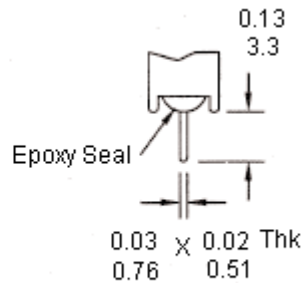


Termination Options



SPDT
(Solder Lug)

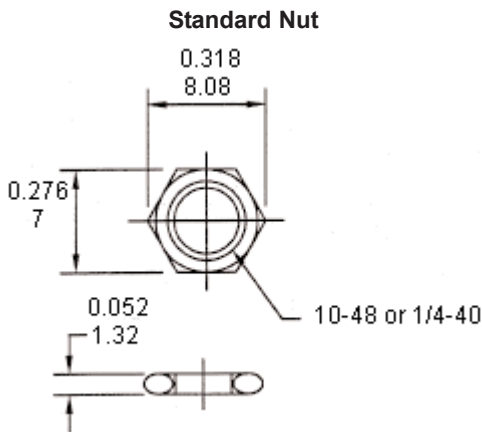
**SPC21220, SPC21222,
SPC21225, SPC21227
SPC21228, SPC21230,
SPC21233, SPC21235**



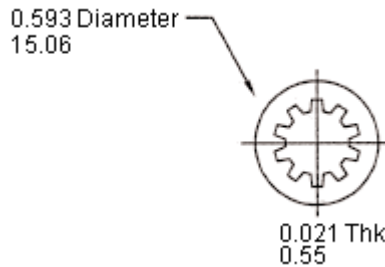
SPDT
(PC Mount)

**SPC21221, SPC21223,
SPC21224, SPC21225
SPC21229, SPC21231,
SPC21232**

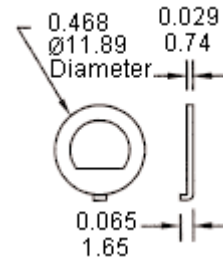
Dimensions : Inches (Millimetres)



Standard Lock Washer

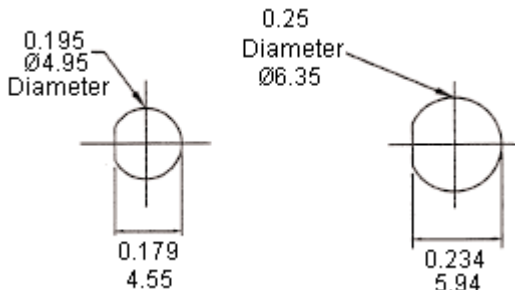


Locking Ring



Dimensions : Inches (Millimetres)

Panel Mounting



**SPC21220-SPC21226
SPC21228-SPC21234**

SPC21227, SPC21235

Dimensions : Inches (Millimetres)



Toggle Switches



Part Number Table

Description	Part Number
Toggle Switch	SPC21220
Toggle Switch	SPC21221
Toggle Switch	SPC21222
Toggle Switch	SPC21223
Toggle Switch	SPC21224
Toggle Switch	SPC21225
Toggle Switch	SPC21226
Toggle Switch	SPC21227
Toggle Switch	SPC21228
Toggle Switch	SPC21229
Toggle Switch	SPC21230
Toggle Switch	SPC21231
Toggle Switch	SPC21232
Toggle Switch	SPC21233
Toggle Switch	SPC21234
Toggle Switch	SPC21235

Disclaimer This data sheet and its contents (the "Information") belong to the Premier Farnell Group (the "Group") or are licensed to it. No licence is granted for the use of it other than for information purposes in connection with the products to which it relates. No licence of any intellectual property rights is granted. The Information is subject to change without notice and replaces all data sheets previously supplied. The Information supplied is believed to be accurate but the Group assumes no responsibility for its accuracy or completeness, any error in or omission from it or for any use made of it. Users of this data sheet should check for themselves the Information and the suitability of the products for their purpose and not make any assumptions based on information included or omitted. Liability for loss or damage resulting from any reliance on the Information or use of it (including liability resulting from negligence or where the Group was aware of the possibility of such loss or damage arising) is excluded. This will not operate to limit or restrict the Group's liability for death or personal injury resulting from its negligence. SPC Multicomp is the registered trademark of the Group. © Premier Farnell plc 2011.

<http://www.farnell.com>
<http://www.newark.com>
<http://www.cpc.co.uk>

