

Toggle Switches



Specifications:

Electrical:

Maximum contact rating	: Silver : 3 A at 120 V ac or 28 V dc, 1 A at 250 V ac (SPC21236, SPC21237, SPC21239, SPC21240, SPC21241, SPC21243, SPC21244, SPC21245, SPC21247)
	: Gold : 0.4 VA at 20 V (ac or dc) (SPC21238, SPC21242, SPC21246)
Maximum contact resistance	: 20 mΩ
Minimum insulation resistance	: 1,000 MΩ at 500 V dc
Dielectric strength	: 1,000 V rms

Mechanical:

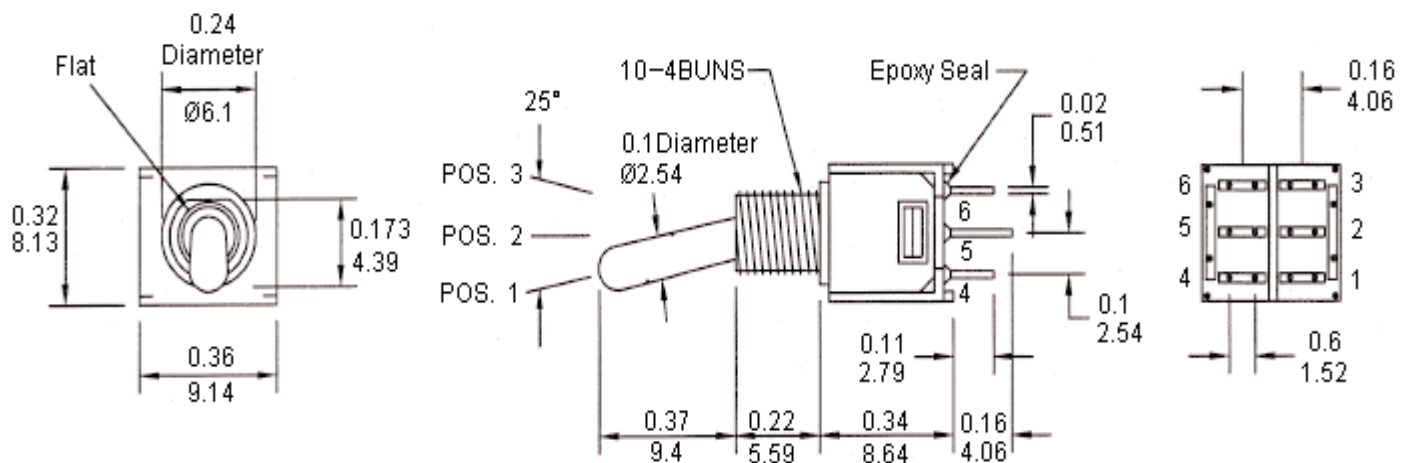
Life	: 30,000 Cycles
------	-----------------

Environmental:

Operating Temperature	: -30°C to +85°C
-----------------------	------------------

Material:

Case	: DAP
Housing	: Stainless steel
Actuator	: Brass, chrome plated
Bushing	: Brass, nickel plated
Support	: Brass, tin plated
Contact / Terminals	: Copper alloy, silver or gold plated



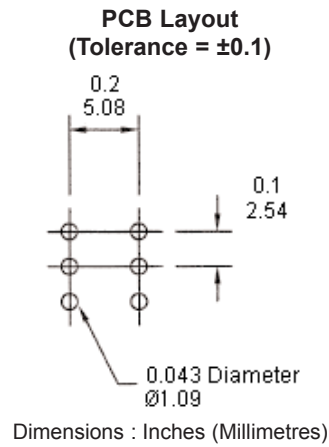
Dimensions : Inches (Millimetres)

Toggle Switches

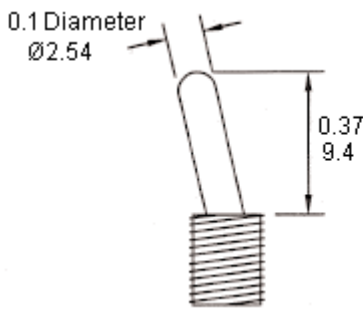


Model No.	Switching Position		
SPC21236, SPC21237 SPC21238-SPC21239	ON	NONE	ON
SPC21240, SPC21241 SPC21242-SPC21243	ON	OFF	ON
SPC21244, SPC21245 SPC21246-SPC21247	ON	NONE	MOM
Conn. Terms	2-3 5-6	OPEN	2-1 5-4
Schematic	DPDT		

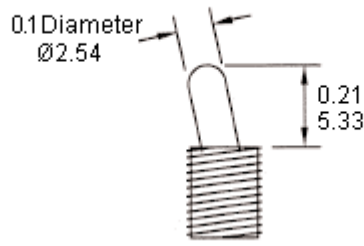
For PC Mount Termination Only



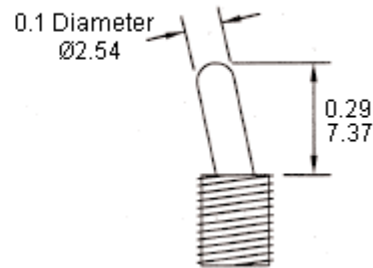
Actuator Options



SPC21236, SPC21237
SPC21240, SPC21241
SPC21244, SPC21245



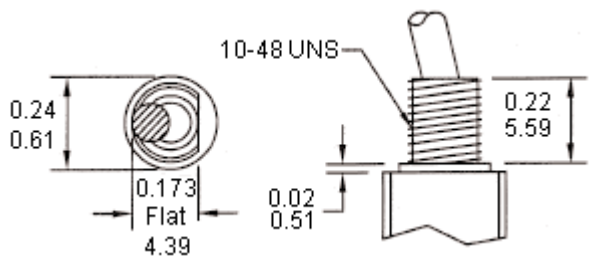
SPC21238, SPC21242
SPC21246



SPC21239, SPC21243
SPC21247

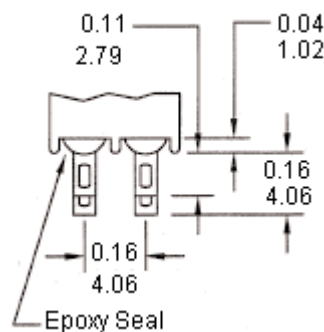
Dimensions : Inches (Millimetres)

Bushing



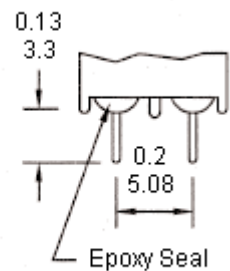
Dimensions : Inches (Millimetres)

Termination Options



DPDT
(Solder Lug)

SPC21236, SPC21239,
SPC21240, SPC21243,
SPC21244, SPC21247

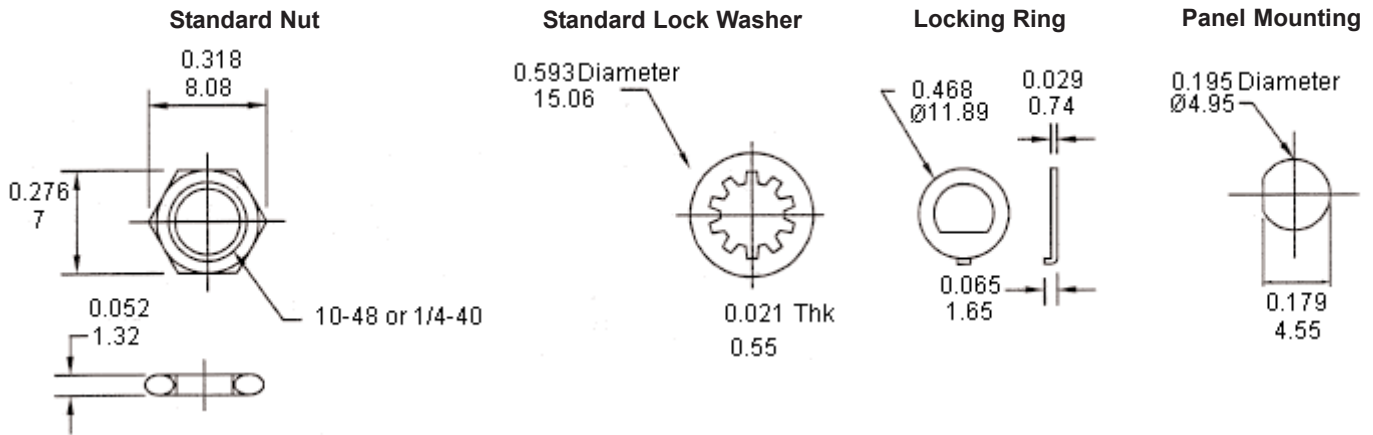


DPDT
(PC Mount)

SPC21237, SPC21238,
SPC21241, SPC21242
SPC21245, SPC21246

Dimensions : Inches (Millimetres)

Toggle Switches



Dimensions : Inches (Millimetres)

Part Number Table

Description	Part Number
Toggle Switch	SPC21236
Toggle Switch	SPC21237
Toggle Switch	SPC21238
Toggle Switch	SPC21239
Toggle Switch	SPC21240
Toggle Switch	SPC21241
Toggle Switch	SPC21242
Toggle Switch	SPC21243
Toggle Switch	SPC21244
Toggle Switch	SPC21245
Toggle Switch	SPC21246
Toggle Switch	SPC21247

Disclaimer This data sheet and its contents (the "Information") belong to the Premier Farnell Group (the "Group") or are licensed to it. No licence is granted for the use of it other than for information purposes in connection with the products to which it relates. No licence of any intellectual property rights is granted. The Information is subject to change without notice and replaces all data sheets previously supplied. The Information supplied is believed to be accurate but the Group assumes no responsibility for its accuracy or completeness, any error in or omission from it or for any use made of it. Users of this data sheet should check for themselves the Information and the suitability of the products for their purpose and not make any assumptions based on information included or omitted. Liability for loss or damage resulting from any reliance on the Information or use of it (including liability resulting from negligence or where the Group was aware of the possibility of such loss or damage arising) is excluded. This will not operate to limit or restrict the Group's liability for death or personal injury resulting from its negligence. SPC Multicomp is the registered trademark of the Group. © Premier Farnell plc 2011.

<http://www.farnell.com>
<http://www.newark.com>
<http://www.cpc.co.uk>

