

Radial blowers with EC internal-rotor motor

RG 130



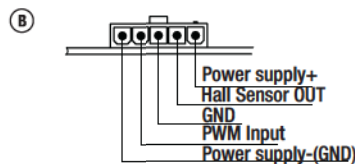
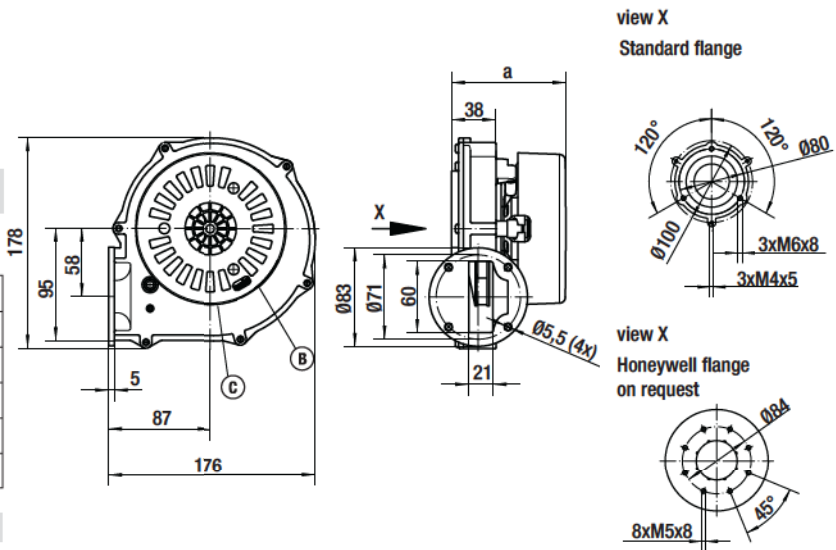
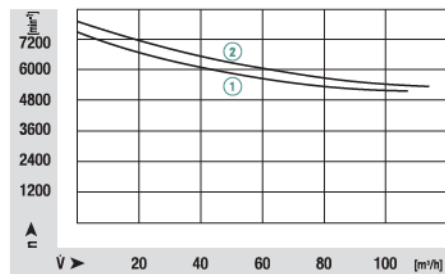
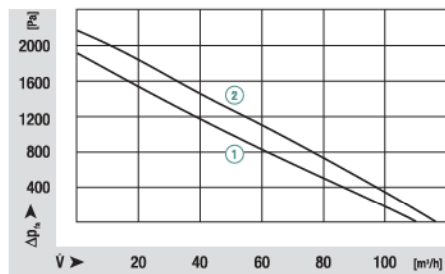
- die-cast aluminium housing
- brushless EC motor
- ball bearings
- motor anti-vibration mounted
- mounting position must be specified for corresponding support elements
- interfaces see page 85, no. 1/2

ebm-papst • Landshut

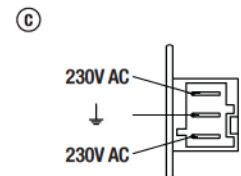
Nominal data	characteristic curve	rated voltage	frequency	max. air flow	max. pressure increase	max. power input	max. speed	electrical connection	mass	Dimensions mm
type		V	Hz	m ³ /h	Pa	W	min ⁻¹		kg	a
RG130/0800-3612	①	24 DC	-	110	1900	40	7200	Ⓑ	1,4	98
RG130/0800-3612	②	230 AC	50	115	2200	54	8000	Ⓑ Ⓒ	1,4	98

bold print = standard type; subject to alterations

Characteristic curves



suitable for connector Molex Mini-Fit, Jr



suitable for connector RAST-5