



Main

| | |
|---------------------------|---|
| Range of product | Phaseo |
| Product or component type | Battery module |
| Input voltage | 24 V DC |
| Output voltage | 24 V DC |
| Maximum output current | 40 A |
| Battery capacity | 7 AH |
| Holding time | < 20 h at 0.35 A, 20 °C > 5 min at 18.2 A, 20 °C |

Complementary

| | |
|-------------------------|---|
| Input voltage limits | 21...29 V |
| Load current | 0.7 A |
| Charging time | <= 72 s |
| Output protection type | Against overload and short-circuits, protection technology: 1 x 30 A automotive type fuse |
| Connections - terminals | Screw type terminals for input connection, connection capacity: 2 x 0.5...2 x 10 mm ² AWG gauge20...8 Screw type terminals for output connection, connection capacity: 2 x 0.5...2 x 10 mm ² AWG gauge20...8 |
| Self-discharge rate | 15 %, 6 months 3 %, 1 month 9 %, 3 months |
| Fixing mode | By 2 screws, screw(s) Ø = 5 mm on horizontal panel, operating position: horizontal By 4 screws, screw(s) Ø = 5 mm on vertical panel, operating position: vertical |
| Output coupling | Parallel |
| Service life in hours | 11000 H at 40 °C 15000 H at 35 °C 22000 H at 30 °C 31000 H at 25 °C 44000 H at 20 °C 5000 H at 50 °C 7300 H at 45 °C |
| Product weight | 6.5 kg |

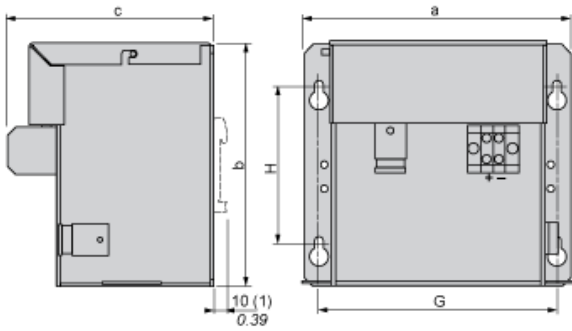
Environment

| | |
|--|--|
| IP degree of protection | IP10 conforming to EN/IEC 60529 |
| Ambient air temperature for operation | 0...40 °C |
| Ambient air temperature for storage | -20...50 °C |
| Class of protection against electric shock | Class III conforming to VDE 0106-1 |
| Vibration resistance | 2 gn (f = 11.9...150 Hz) conforming to EN/IEC 61131-2 3.5 mm (f = 3...11.9 Hz) conforming to EN/IEC 61131-2 |
| RoHS EUR status | Compliant |
| RoHS EUR conformity date | 0501 |

24 Vdc Battery Module

Dimensions

mm
inch

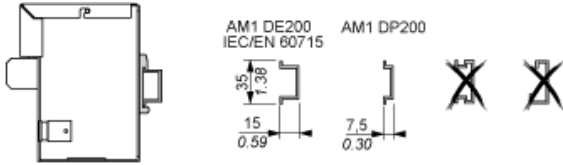


| ABL | a | b | c | G | H |
|-----------|----------|------------|-----|----------|----------|
| 8BPK24A03 | 184/7.24 | 138,5/5.45 | 131 | 156/6.14 | 83/3.27 |
| 8BPK24A07 | 170/6.69 | 155,5/6.12 | 131 | 152/5.98 | 100/3.94 |
| 8BPK24A12 | 238/9.29 | 155,5/6.12 | 131 | 218/3.94 | 100/3.94 |

(1) ABL8BPK24A03 (with kit ABL1A02)

24 Vdc Battery Module

Mounting



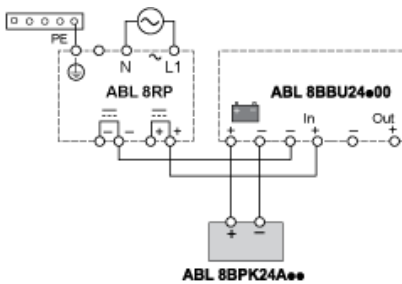
Wiring Requirements

Cable Types and Wire Sizes

| | | |
|-----------------------------------|--------------------------------|--------------------------------|
| | ABL 8BBU24200 6 / 10 | ABL 8BBU24400 10 / 6 |
| ABL 8BPK24A00 +/ - mm²/AWG | | |
| | | Nm 1,7 Nm max lb-in 15 |

24 Vdc Battery Module Wiring

Wiring Diagram



Paralleling 2 x ABL8PK24A00

Wiring Diagram

