

Features

LED DRIVER

- 20W Dimmable AC-DC LED Power Supply
- 350mA, 500mA, 700mA or 1050mA Outputs
- Drives 5 - 15 High Brightness LEDs
- Universal AC Input
- Active Power Factor Correction >0.95
- 3.75kVAC Isolation
- Output Connector to avoid miswiring
- 5 Year Warranty

Description

The RACT20 series is a constant current dimmable AC/DC source for driving high power LED applications. The triac dimming function works with leading or trailing edge dimmers and comes with linear dimming down to 0%. This driver is suitable for indoor LED lighting systems and powered 5-15 high power LEDs or single LED arrays.

Selection Guide

Part Number	Input Voltage (VAC)	Output Current (mA)	Output Voltage (VDC)	Dimming Control	Efficiency typ. (%)	Max. # LEDs
RACT20-350*	230	350	30-56	Triac	82	15 x 1W
RACT20-500*	230	500	21-39	Triac	82	12 x 1W
RACT20-700*	230	700	15-28	Triac	81	8 x 2W, 8+8 x 1W
RACT20-1050*	230	1050	12-18	Triac	81	5 x 3W, 5+5 x 2W

* add Suffix "-US" for 115VAC Input Voltage

Specifications (typical at 25°C, nominal input voltage, rated output current unless otherwise specified)

Input Voltage Range	RACT20-xxxx RACT20-xxxx-US	180-264VAC 90-135VAC
Rated Power		20W max.
Output Current Accuracy		±5% max.
Input Current	115VAC 230VAC	0.4A max. 0.2A max.
Input Frequency Range		47-63Hz
Power Factor	Full Load, 115VAC	>0.95
Leakage Current	230VAC	<0.75mA
Open Circuit Voltage (No Load V _{out})	350mA 500mA 700mA 1050mA	60VDC max. 44VDC max. 33VDC max. 22VDC max.
Output Ripple and Noise	350mA, 500mA 700mA, 1050 mA	4.5Vp-p max. 4.0Vp-p max.
Short Circuit Protection		Hiccup mode, Auto recovery
Overtemperature Protection		95°C ±10°C (RT1) Hiccup mode, Auto recovery
Isolation Voltage	1 minute	3750VAC
Efficiency at Full Load		see selection guide
Dimming		AC phase-cut dimming, work with leading/trailing edge dimmers
Operating Temperature	(Ambient Temperature)	-30°C to +50°C
Storage Temperature		-40°C to +85°C
Relative Humidity		95% RH
EMC	design refer to EN55022	Class B
IP Rating	suitable for indoor LED lighting system	IP20
Design Lifetime	25°C ambient	>70 x 10 ³ hours in operation
Package Weight		145g
Packing Quantity		1 pc.
PCB Material		Plastic Resin with Fibreglass (UL94V-0)
Case Material		Plastic
Connections	AC Input LED Output LED Output	Screw Terminal Screw Terminal 5.5mm Socket with 2mm Pin (suitable matching plug Switchcraft S760 or similar)*

* Do not connect or disconnect the LED load while the driver is on. This may damage the LED or reduce its life.

LIGHTLINE

AC/DC-Converter

with 5 year Warranty



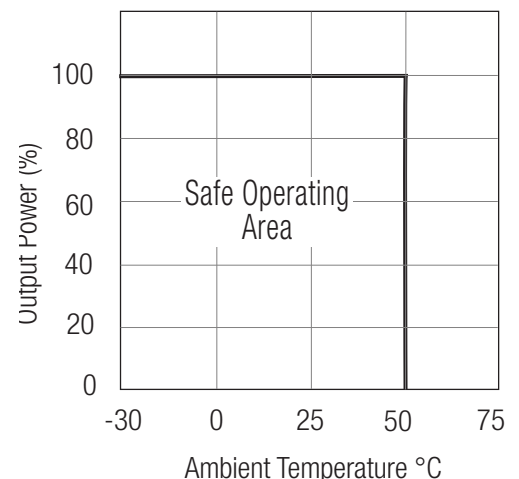
20W Triac Dimmable LED Driver



- EN-60950-1 (pending)
- EN-61347 (pending)
- UL-8750 (pending)

RACT20

Derating Graph

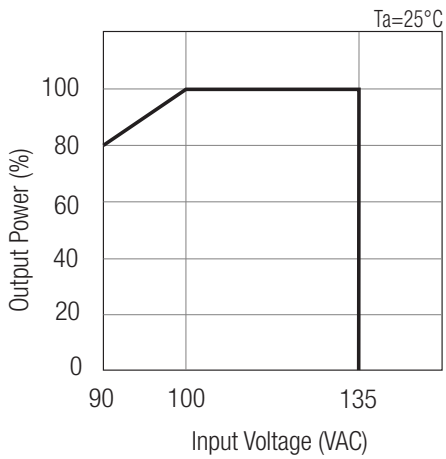


Please Read Application Notes

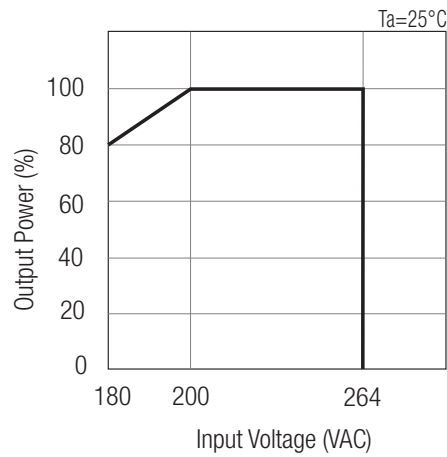
RACT20 Series

Specifications

115VAC - Version

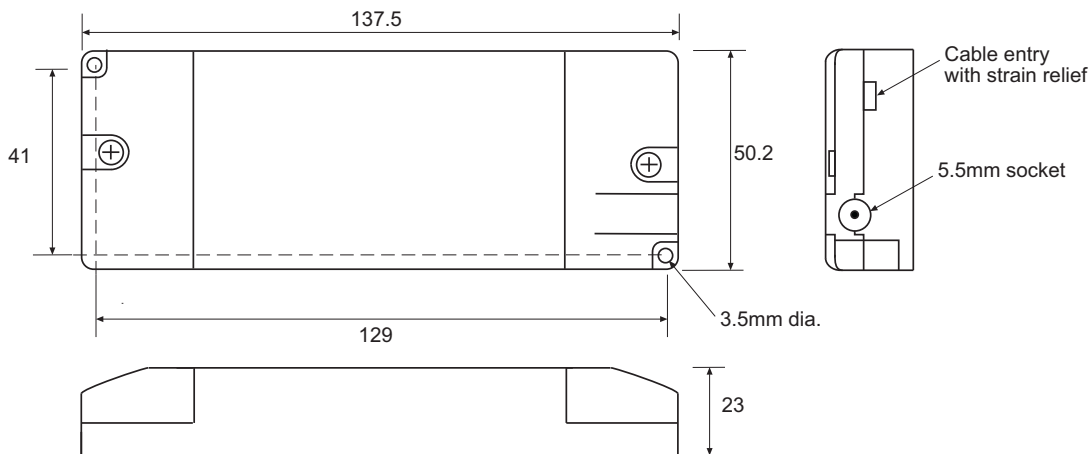


230VAC - Version



Package Style and Pinning

3rd angle projection



RACT20