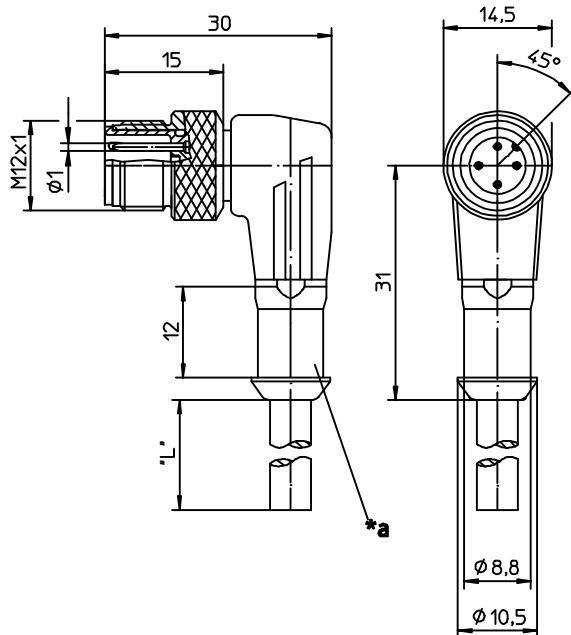


## Male plug

063 59

Technical modifications reserved

Catalog type: RSWT...

- Right angled male plug with moulded cable
- Body enables hose-installation
- Self-securing screw nut
- Colour code according to Euro-standard

**1. Ambient temperature** : -25 °C / +80 °C

2. Material data

**Body** : TPU  
**Insert** : TPU  
**Contact** : CuZn, pre-nickeled  
 and 0,8 microns gold-plated  
**Screw nut** : CuZn, pre-nickeled

3. Mechanical data

**Degree of protection \*** : IP67  
**Good chemical resistance**  
 Resistance needs to be approved in special cases

4. Electrical data




**Contact resistance** : ≤ 5 mΩ  
**Nominal current at 40° C** : 4 A  
**Rated voltage** : 3 - 4 poles 240 V  
 : 5 poles 60 V  
**Test voltage** : 3 - 4 poles 2 kV<sub>eff.</sub> / 60 s  
 : 5 poles 1,5 kV<sub>eff.</sub> / 60 s  
**Insulation resistance** : > 10<sup>9</sup> Ω  
**Degree of pollution** : 3


\* Only in fully locked position with its plugs

\*a Installation of hose

"L" = Standard cable length

Additional technical data of the cable 909...

KS /	Type	Standard -Contact Configuration	
		Poles	Colour
FP /	RSWT 3...	3	 1 = brown 3 = blue 4 = black
EK /	RSWT 4...	4	 1 = brown 2 = white 3 = blue 4 = black
QB-R /	RSWT 5...	5	 1 = brown 2 = white 3 = blue 4 = black 5 = green / yellow

WE-H /	 Schalksmühle	date	name	edit.								
WB /		iss.	11.07.07	mae	name							
		appr.	11.07.07	gem	date							

# Technical specification sheet

no. of modification

sheet  
of 1