

**ebm-papst St. Georgen GmbH & Co. KG**

Hermann-Papst-Straße 1

D-78112 St. Georgen

Phone +49 7724 81-0

Fax +49 7724 81-1309

info2@de.ebmpapst.com

www.ebmpapst.com

**Nominal data**

Type	612 JH	
Nominal voltage	VDC	12
Nominal voltage range	VDC	7 .. 13.6
Speed	min <sup>-1</sup>	11700
Power input	W	7.7
Min. ambient temperature	°C	-20
Max. ambient temperature	°C	70
Air flow	m <sup>3</sup> /h	70
Sound power level	B	6.4
Sound pressure level	dB(A)	53

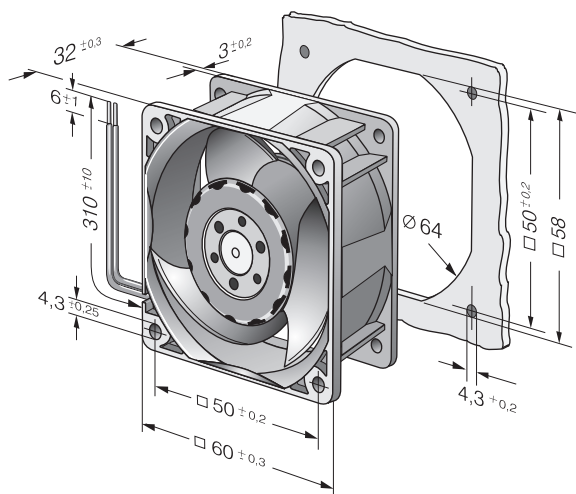
ml = max. load · me = max. efficiency · rfa = running at free air · cs = customer specs · cu = customer unit  
 Subject to alterations



## Technical features

<b>Dimensions</b>	60 x 60 x 32 mm
<b>General description</b>	<p>Particular design features:  Rigid compression curve for high air flow at high counterpressure.  Innovative impeller with winglets for low noise.</p> <p>General features:  Material: fibreglass-reinforced plastic. Impeller PA, housing PBT.  Electronic commutation completely integrated.  Protected against reverse polarity and locking.  Connection via single strands AWG 24, TR 64, bared and tin-plated.  Air exhaust over bars. Rotational direction clockwise looking at rotor.  Mass: 100 g.</p>
<b>Connection line</b>	Single strands AWG 24, TR 64, bared and tin-plated.
<b>Locked-rotor protection</b>	With electronic blocking and overload protection
<b>Direction of rotation</b>	Right, looking at rotor
<b>Direction of air flow</b>	Air exhaust over bars
<b>Bearing</b>	Ball bearings
<b>Lifetime L10 at 40 °C</b>	57500 h
<b>Lifetime L10 at maximum temperature</b>	27500 h
<b>Mass</b>	0.100 kg
<b>Housing material</b>	Fiberglass-reinforced PBT plastic
<b>Material of impeller</b>	Fiberglass-reinforced PA plastic
<b>Motor protection</b>	Protected against reverse polarity and locking.
<b>Approval</b>	CE

## Product drawing



## Charts: Air flow

