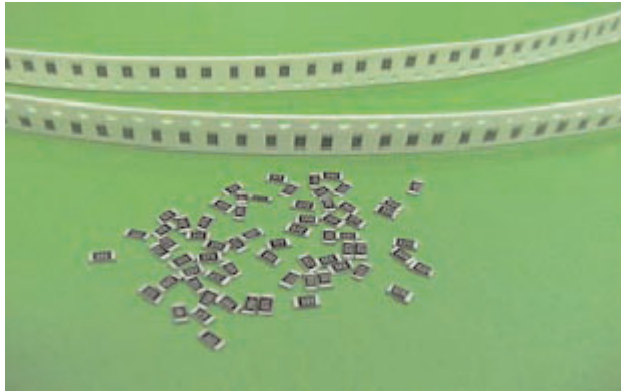


Thick Film Chip Resistors

General Purpose



Features:



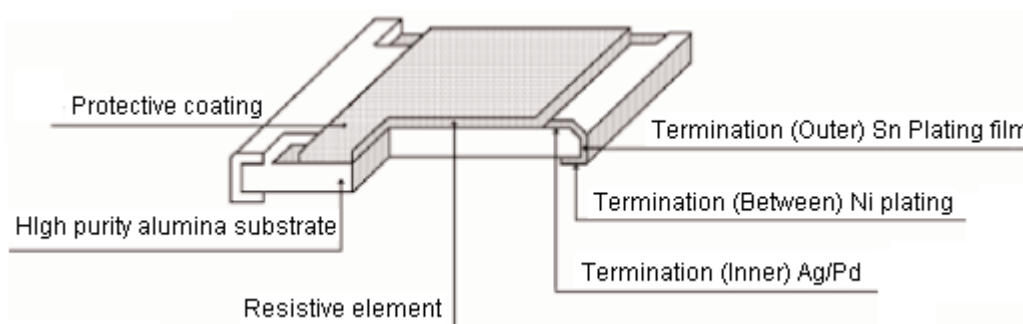
- Small size and lightweight
- Suitable for both flow and reflow soldering
- Reduction of assembly costs and matching with placement machines

Performance Specifications:

Temperature coefficient	: $\pm 5\%$: 1 Ω to 10 M $\Omega \leq \pm 200$ PPM/ $^{\circ}\text{C}$ $\pm 1\%$: 10 Ω to 100 $\Omega \leq \pm 200$ PPM/ $^{\circ}\text{C}$; 101 Ω to 1M $\Omega \leq \pm 100$ PPM/ $^{\circ}\text{C}$
Short-time overload	: $\pm 5\%$: $\pm (2.0\% + 0.1 \Omega)$ Max. $\pm 1\%$: $\pm (1.0\% + 0.1 \Omega)$ Max.
Minimum insulation resistance	: 1,000 Mega Ohms.
Dielectric withstanding voltage	: No evidence of flashover, mechanical damage, arcing or insulation breakdown
Terminal bending	: $\pm (1.0\% + 0.05 \Omega)$ Max.
Soldering heat	: Resistance change rate is $\pm (1.0\% + 0.05 \Omega)$ Max.
Minimum solderability	: 95% coverage
Temperature cycling	: $\pm 5\%$: $\pm (1\% + 0.05 \Omega)$ Max. $\pm 1\%$: $\pm (0.5\% + 0.05 \Omega)$ Max.
Humidity (steady state)	: $\pm 5\%$: $\pm (3\% + 0.1 \Omega)$ Max. $\pm 1\%$: $\pm (0.5\% + 0.1 \Omega)$ Max.
Load life in humidity	: $\pm 5\%$: $\pm (3\% + 0.1 \Omega)$ Max. $\pm 1\%$: $\pm (1\% + 0.1 \Omega)$ Max.
Load life	: $\pm 5\%$: $\pm (3\% + 0.1 \Omega)$ Max. $\pm 1\%$: $\pm (1\% + 0.1 \Omega)$ Max.

* The values which are not of standard E-24 series (2% & 5%) and not of E-96 series (1%) could be offered on a case to case basis.

Construction

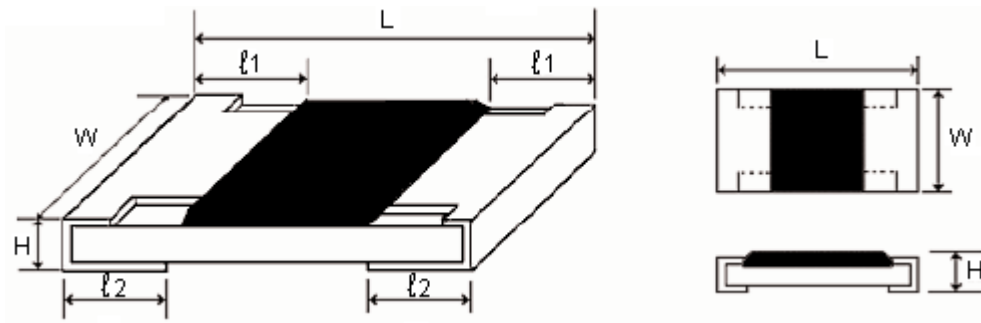


Thick Film Chip Resistors

General Purpose



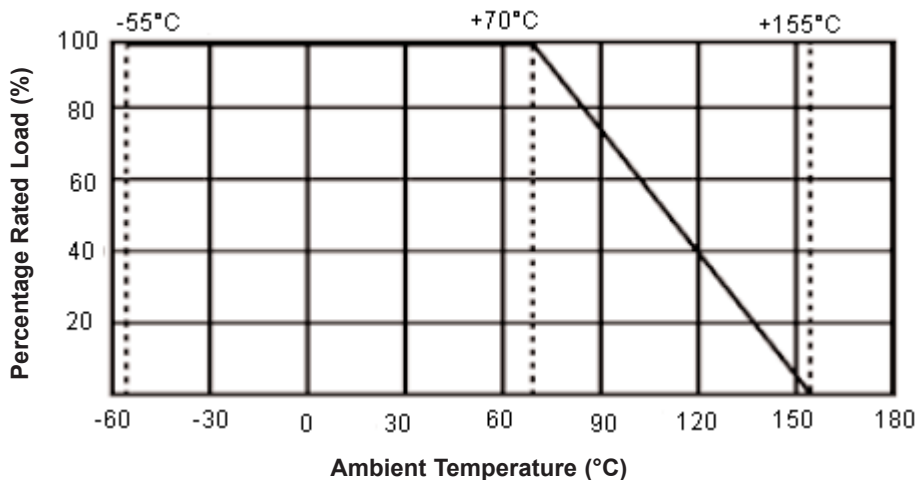
Power Rating and Dimension



Type	Power Rating at 70°C	Max. Working Voltage	Max. Overload Voltage	Operating Temperature (°C)	Tolerance %	Resistance Range	Standard Series	Dimension (mm)				
								L	W	H	l1	l2
0603 (1608)	1/10W-S 1/16W	1 A	2 A	- 55 to + 155	Jumper	< 50 m Ω	E-96 E-24 E-24	1.6 ±0.1	0.8 ^{+0.15} _{-0.1}	0.45 ±0.1	0.3 ±0.2	0.3 ±0.2
		50 V	100 V		±1 ±2 ±5	10 Ω - 1 M Ω 1 Ω - 10 M Ω 1 Ω - 10 M Ω						
0805 (2012)	1/ 8W-S 1/10W	2A	4A	- 55 to + 155	Jumper	< 50 m Ω	E-96 E-24 E-24	2 ±0.15	1.25 ^{+0.15} _{-0.1}	0.55 ±0.1	0.4 ±0.2	0.4 ±0.2
		150V	300V		±1 ±2 ±5	10 Ω - 1 M Ω 1 Ω - 10 M Ω 1 Ω - 10 M Ω						
1206 (3216)	1/4W-S 1/8W	2A	4A	- 55 to + 155	Jumper	< 50 m Ω	E-96 E-24 E-24	3.1 ±0.15	1.55 ^{+0.15} _{-0.1}	0.55 ±0.1	0.45 ±0.2	0.45 ±0.2
		200V	400V		±1 ±2 ±5	10 Ω - 1 M Ω 1 Ω - 10 M Ω 1 Ω - 10 M Ω						

Note: Information in parenthesis are Japanese sizes

Derating Curve



Thick Film Chip Resistors

General Purpose



Multiplier Code (for 0603 1% marking)

Code	A	B	C	D	E	F	G	H	X	Y	Z
Multiplier	10 ⁰	10 ¹	10 ²	10 ³	10 ⁴	10 ⁵	10 ⁶	10 ⁷	10 ⁻¹	10 ⁻²	10 ⁻³

Standard E-96 Series Resistance Value Code (for 0603 1% marking)

Ω Value	Code	Ω Value	Code	Ω Value	Code	Ω Value	Code	Ω Value	Code
100	1	162	21	261	41	422	61	681	81
102	2	165	22	267	42	432	62	698	82
105	3	169	23	274	43	442	63	715	83
107	4	174	24	280	44	453	64	732	84
110	5	178	25	287	45	464	65	750	85
113	6	182	26	294	46	475	66	768	86
115	7	187	27	301	47	487	67	787	87
118	8	191	28	309	48	499	68	806	88
121	9	196	29	316	49	511	69	825	89
124	10	200	30	324	50	523	70	845	90
127	11	205	31	332	51	536	71	866	91
130	12	210	32	340	52	549	72	887	92
133	13	215	33	348	53	562	73	909	93
137	14	221	34	357	54	576	74	931	94
140	15	226	35	365	55	590	75	953	95
143	16	232	36	374	56	604	76	976	96
147	17	237	37	383	57	619	77	-	-
150	18	243	38	392	58	634	78	-	-
154	19	249	39	402	59	649	79	-	-
158	20	255	40	412	60	665	80	-	-

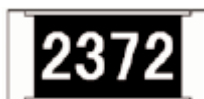
Marking on the Resistors Body:

- ±1% tolerance marking of case size 0805 and bigger is 4 digits, the first 3 digits are the significant figures of the resistance and the 4th digit denotes number of zeros.

2372 = 23700 Ω = 23.7 K Ω; 1430 = 143 Ω

0.1 Ω to 0.99 Ω shown as this: R33 = 0.33 Ω

Below 10 Ω shown as this: 3R24 = 3.24 Ω



Thick Film Chip Resistors

General Purpose

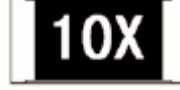


- Standard E-96 series values ($\pm 1\%$ tolerance) of 0603 size. Due to the small size of the resistor's body, 3 digits marking will be used to indicate the accurate resistance value by using the Multiplier code & Standard E-96 Series Resistance Value Code as shown on Page 6.

$$1.96 \text{ K } \Omega = 196 \times 10^1 \Omega = 29\text{B}$$



$$12.4 \Omega = 124 \times 10^{-1} \Omega = 10\text{X}$$



- Standard E-24 series values which does not belong to E-96 series values (in $\pm 1\%$ tolerance) of 0603 size. The marking is the same as 5% tolerance but marked with underline.

$$\underline{122} = 1200 = 1.2 \text{ K } \Omega$$



$$\underline{680} = 68 \Omega$$



Part Number Table

Description	Part Number
Resistor, 0603 100R,0.063W,1%	MC 0.063W 0603 1% 100R
Resistor, 0603 1K,0.063,1%	MC 0.063W 0603 1% 1K
Resistor, 0603 10K,0.063W,1%	MC 0.063W 0603 1% 10K
Resistor, 0603 100K,0.063W,1%	MC 0.063W 0603 1% 100K
Resistor, 0603 1M,0.063W,1%	MC 0.063W 0603 1% 1M
Resistor, 10R , 63MW, 1%	MC 0.063W 0603 1% 10R
Resistor, 0603 110R	MC 0.063W 0603 1% 110R
Resistor, 0603, 1K1, 1%, 0.063W	MC 0.063W 0603 1% 1K1
Resistor, 0603 11K	MC 0.063W 0603 1% 11K
Resistor, 0603 110K	MC 0.063W 0603 1% 110K
Resistor, 0603 11R	MC 0.063W 0603 1% 11R
Resistor, 0603 120R	MC 0.063W 0603 1% 120R
Resistor, 0603, 1K2	MC 0.063W 0603 1% 1K2
Resistor, 12K, 63MW, 1%	MC 0.063W 0603 1% 12K
Resistor, 0603 120K	MC 0.063W 0603 1% 120K
Resistor, 0603 12R	MC 0.063W 0603 1% 12R
Resistor, 0603 130R	MC 0.063W 0603 1% 130R
Resistor, 0603 1K3	MC 0.063W 0603 1% 1K3
Resistor, 0603 13K	MC 0.063W 0603 1% 13K

Description	Part Number
Resistor, 0603 130K	MC 0.063W 0603 1% 130K
Resistor, 0603 13R	MC 0.063W 0603 1% 13R
Resistor, 0603 150R	MC 0.063W 0603 1% 150R
Resistor, 0603 1K5	MC 0.063W 0603 1% 1K5
Resistor, 0603 15K	MC 0.063W 0603 1% 15K
Resistor, 0603, 150K	MC 0.063W 0603 1% 150K
Resistor, 0603 15R	MC 0.063W 0603 1% 15R
Resistor, 0603 1R5	MC 0.063W 0603 1% 1R5
Resistor, 0603 160R	MC 0.063W 0603 1% 160R
Resistor, 0603 1K6	MC 0.063W 0603 1% 1K6
Resistor, 0603 16K	MC 0.063W 0603 1% 16K
Resistor, 0603 160K	MC 0.063W 0603 1% 160K
Resistor, 0603 16R	MC 0.063W 0603 1% 16R
Resistor, 0603 180R	MC 0.063W 0603 1% 180R
Resistor, 0603 1K8	MC 0.063W 0603 1% 1K8
Resistor, 0603 18K	MC 0.063W 0603 1% 18K
Resistor, 0603 180K	MC 0.063W 0603 1% 180K
Resistor, 0603 18R	MC 0.063W 0603 1% 18R
Resistor, 0603 200R	MC 0.063W 0603 1% 200R

Thick Film Chip Resistors

General Purpose



Part Number Table

Description	Part Number	Description	Part Number
Resistor, 2K , 0.063W , 1%	MC 0.063W 0603 1% 2K	Resistor, 0603 360R	MC 0.063W 0603 1% 360R
Resistor, 20K , 63MW, 1%	MC 0.063W 0603 1% 20K	Resistor, 0603 3K6	MC 0.063W 0603 1% 3K6
Resistor, 0603 200K	MC 0.063W 0603 1% 200K	Resistor, 0603 36K	MC 0.063W 0603 1% 36K
Resistor, 0603 20R	MC 0.063W 0603 1% 20R	Resistor, 0603 360K	MC 0.063W 0603 1% 360K
Resistor, 220R, 0.063W, 1%	MC 0.063W 0603 1% 220R	Resistor, 0603 36R	MC 0.063W 0603 1% 36R
Resistor, 22K, 0.063W, 1%	MC 0.063W 0603 1% 22K	Resistor, 0603, 390R	MC 0.063W 0603 1% 390R
Resistor, 0603 220K	MC 0.063W 0603 1% 220K	Resistor, 0603, 3K9	MC 0.063W 0603 1% 3K9
Resistor, 0603 22R	MC 0.063W 0603 1% 22R	Resistor, 0603, 39K, 1%, 0.063W	MC 0.063W 0603 1% 39K
Resistor, 0603 2R2	MC 0.063W 0603 1% 2R2	Resistor, 0603 390K	MC 0.063W 0603 1% 390K
Resistor, 0603 240R	MC 0.063W 0603 1% 240R	Resistor, 0603 39R	MC 0.063W 0603 1% 39R
Resistor, 0603, 2K4, 1%, 63MW	MC 0.063W 0603 1% 2K4	Resistor, 0603 430R	MC 0.063W 0603 1% 430R
Resistor, 0603 24K	MC 0.063W 0603 1% 24K	Resistor, 0603 4K3	MC 0.063W 0603 1% 4K3
Resistor, 0603 240K	MC 0.063W 0603 1% 240K	Resistor, 0603 43K	MC 0.063W 0603 1% 43K
Resistor, 0603 24R	MC 0.063W 0603 1% 24R	Resistor, 0603 430K	MC 0.063W 0603 1% 430K
Resistor, 0603 270R	MC 0.063W 0603 1% 270R	Resistor, 0603 43R	MC 0.063W 0603 1% 43R
Resistor, 0603 2K7	MC 0.063W 0603 1% 2K7	Resistor, 470OHM, 0.063W, 1%	MC 0.063W 0603 1% 470R
Resistor, 0603 27K	MC 0.063W 0603 1% 27K	Resistor, 0603 4K7,0.063W,1%	MC 0.063W 0603 1% 4K7
Resistor, 0603 270K	MC 0.063W 0603 1% 270K	Resistor, 0603 47K,0.063,1%	MC 0.063W 0603 1% 47K
Resistor, 0603 27R	MC 0.063W 0603 1% 27R	Resistor, 0603 470K	MC 0.063W 0603 1% 470K
Resistor, 0603 300R	MC 0.063W 0603 1% 300R	Resistor, 47R, 63MW, 1%	MC 0.063W 0603 1% 47R
Resistor, 0603 3K	MC 0.063W 0603 1% 3K	Resistor, 0603, 4R7, 1%, 0.063W	MC 0.063W 0603 1% 4R7
Resistor, 0603, 30K, 1%, 0.063W	MC 0.063W 0603 1% 30K	Resistor, 0603 510R	MC 0.063W 0603 1% 510R
Resistor, 0603 300K	MC 0.063W 0603 1% 300K	Resistor, 0603 5K1	MC 0.063W 0603 1% 5K1
Resistor, 0603 30R	MC 0.063W 0603 1% 30R	Resistor, 0603, 51K, 1%, 0.063W	MC 0.063W 0603 1% 51K
Resistor, 0603 330R	MC 0.063W 0603 1% 330R	Resistor, 0603 510K	MC 0.063W 0603 1% 510K
Resistor, 3K3, 63MW , 1%	MC 0.063W 0603 1% 3K3	Resistor, 51R, 63MW, 1%	MC 0.063W 0603 1% 51R
Resistor, 33K, 63MW, 1%	MC 0.063W 0603 1% 33K	Resistor, 0603, 560R	MC 0.063W 0603 1% 560R
Resistor, 0603 330K	MC 0.063W 0603 1% 330K	Resistor, 0603, 5K6, 1%, 0.063W	MC 0.063W 0603 1% 5K6
Resistor, 0603 33R	MC 0.063W 0603 1% 33R	Resistor, 0603 56K	MC 0.063W 0603 1% 56K
Resistor, 0603 3R3	MC 0.063W 0603 1% 3R3	Resistor, 0603 560K	MC 0.063W 0603 1% 560K

Thick Film Chip Resistors

General Purpose



Part Number Table

Description	Part Number
Resistor, 0603 56R	MC 0.063W 0603 1% 56R
Resistor, 0603 620R	MC 0.063W 0603 1% 620R
Resistor, 0603, 6K2, 1%, 63MW	MC 0.063W 0603 1% 6K2
Resistor, 0603 62K	MC 0.063W 0603 1% 62K
Resistor, 0603 620K	MC 0.063W 0603 1% 620K
Resistor, 0603 62R	MC 0.063W 0603 1% 62R
Resistor, 0603 680R	MC 0.063W 0603 1% 680R
Resistor, 0603 6K8	MC 0.063W 0603 1% 6K8
Resistor, 0603, 68K, 1%, 63MW	MC 0.063W 0603 1% 68K
Resistor, 0603 680K	MC 0.063W 0603 1% 680K
Resistor, 0603 68R	MC 0.063W 0603 1% 68R
Resistor, 0603 6R8	MC 0.063W 0603 1% 6R8
Resistor, 0603 750R	MC 0.063W 0603 1% 750R
Resistor, 0603 7K5	MC 0.063W 0603 1% 7K5
Resistor, 0603 75K	MC 0.063W 0603 1% 75K
Resistor, 0603 750K	MC 0.063W 0603 1% 750K
Resistor, 0603 75R	MC 0.063W 0603 1% 75R
Resistor, 0603 820R	MC 0.063W 0603 1% 820R
Resistor, 0603, 8K2, 1%, 63MW	MC 0.063W 0603 1% 8K2
Resistor, 0603 82K	MC 0.063W 0603 1% 82K
Resistor, 0603 820K	MC 0.063W 0603 1% 820K
Resistor, 0603 82R	MC 0.063W 0603 1% 82R
Resistor, 0603 910R	MC 0.063W 0603 1% 910R
Resistor, 0603 9K1	MC 0.063W 0603 1% 9K1
Resistor, 0603 91K	MC 0.063W 0603 1% 91K
Resistor, 0603 910K	MC 0.063W 0603 1% 910K
Resistor, 0603 91R	MC 0.063W 0603 1% 91R
Resistor, 0603 0R0,0.063W,5%	MC 0.063W 0603 0R
Resistor, 0805 360K	MC 0.1W 0805 1% 360K
Resistor, 1206 100R	MC 0.125W 1206 1% 100R

Description	Part Number
Resistor, 1206 1K	MC 0.125W 1206 1% 1K
Resistor, 10K , 125MW, 1%	MC 0.125W 1206 1% 10K
Resistor, 1206 100K	MC 0.125W 1206 1% 100K
Resistor, 1206 1M	MC 0.125W 1206 1% 1M
Resistor, 1206 10R	MC 0.125W 1206 1% 10R
Resistor, 1206 110R	MC 0.125W 1206 1% 110R
Resistor, 1206 1K1	MC 0.125W 1206 1% 1K1
Resistor, 1206 11K	MC 0.125W 1206 1% 11K
Resistor, 1206 110K	MC 0.125W 1206 1% 110K
Resistor, 1206 11R	MC 0.125W 1206 1% 11R
Resistor, 1206 120R	MC 0.125W 1206 1% 120R
Resistor, 1206 1K2	MC 0.125W 1206 1% 1K2
Resistor, 1206 12K	MC 0.125W 1206 1% 12K
Resistor, 1206 120K	MC 0.125W 1206 1% 120K
Resistor, 1206 12R	MC 0.125W 1206 1% 12R
Resistor, 1206 130R	MC 0.125W 1206 1% 130R
Resistor, 1206 1K3	MC 0.125W 1206 1% 1K3
Resistor, 1206 13K	MC 0.125W 1206 1% 13K
Resistor, 1206 130K	MC 0.125W 1206 1% 130K
Resistor, 1206 150R	MC 0.125W 1206 1% 150R
Resistor, 1206 1K5	MC 0.125W 1206 1% 1K5
Resistor, 1206 15K	MC 0.125W 1206 1% 15K
Resistor, 1206 150K	MC 0.125W 1206 1% 150K
Resistor, 1206 15R	MC 0.125W 1206 1% 15R
Resistor, 1206 160R	MC 0.125W 1206 1% 160R
Resistor, 1206 1K6	MC 0.125W 1206 1% 1K6
Resistor, 1206 16K	MC 0.125W 1206 1% 16K
Resistor, 1206 160K	MC 0.125W 1206 1% 160K
Resistor, 1206 16R	MC 0.125W 1206 1% 16R
Resistor, 1206 180R	MC 0.125W 1206 1% 180R

Thick Film Chip Resistors

General Purpose



Part Number Table

Description	Part Number
Resistor, 1206 1K8	MC 0.125W 1206 1% 1K8
Resistor, 1206 18K	MC 0.125W 1206 1% 18K
Resistor, 1206 180K	MC 0.125W 1206 1% 180K
Resistor, 1206 18R	MC 0.125W 1206 1% 18R
Resistor, 1206 200R	MC 0.125W 1206 1% 200R
Resistor, 1206 2K	MC 0.125W 1206 1% 2K
Resistor, 1206 20K	MC 0.125W 1206 1% 20K
Resistor, 1206 200K	MC 0.125W 1206 1% 200K
Resistor, 1206 20R	MC 0.125W 1206 1% 20R
Resistor, 1206 220R	MC 0.125W 1206 1% 220R
Resistor, 1206, 2K2, 1%, 125MW	MC 0.125W 1206 1% 2K2
Resistor, 1206 22K	MC 0.125W 1206 1% 22K
Resistor, 1206 220K	MC 0.125W 1206 1% 220K
Resistor, 1206 22R	MC 0.125W 1206 1% 22R
Resistor, 1206 240R	MC 0.125W 1206 1% 240R
Resistor, 1206 2K4	MC 0.125W 1206 1% 2K4
Resistor, 1206 24K	MC 0.125W 1206 1% 24K
Resistor, 1206 240K	MC 0.125W 1206 1% 240K
Resistor, 1206 24R	MC 0.125W 1206 1% 24R
Resistor, 1206 270R	MC 0.125W 1206 1% 270R
Resistor, 1206 2K7	MC 0.125W 1206 1% 2K7
Resistor, 1206 27K	MC 0.125W 1206 1% 27K
Resistor, 1206 270K	MC 0.125W 1206 1% 270K
Resistor, 1206 27R	MC 0.125W 1206 1% 27R
Resistor, 1206 300R	MC 0.125W 1206 1% 300R
Resistor, 1206 3K	MC 0.125W 1206 1% 3K
Resistor, 1206 30K	MC 0.125W 1206 1% 30K
Resistor, 1206 300K	MC 0.125W 1206 1% 300K
Resistor, 1206 30R	MC 0.125W 1206 1% 30R
Resistor, 1206 330R	MC 0.125W 1206 1% 330R

Description	Part Number
Resistor, 1206 3K3	MC 0.125W 1206 1% 3K3
Resistor, 1206 33K	MC 0.125W 1206 1% 33K
Resistor, 1206 330K	MC 0.125W 1206 1% 330K
Resistor, 1206 33R	MC 0.125W 1206 1% 33R
Resistor, 1206 360R	MC 0.125W 1206 1% 360R
Resistor, 1206 3K6	MC 0.125W 1206 1% 3K6
Resistor, 1206 36K	MC 0.125W 1206 1% 36K
Resistor, 1206 360K	MC 0.125W 1206 1% 360K
Resistor, 1206 36R	MC 0.125W 1206 1% 36R
Resistor, 1206 390R	MC 0.125W 1206 1% 390R
Resistor, 1206 3K9	MC 0.125W 1206 1% 3K9
Resistor, 1206 39K	MC 0.125W 1206 1% 39K
Resistor, 1206 390K	MC 0.125W 1206 1% 390K
Resistor, 1206 39R	MC 0.125W 1206 1% 39R
Resistor, 1206 430R	MC 0.125W 1206 1% 430R
Resistor, 1206 4K3	MC 0.125W 1206 1% 4K3
Resistor, 1206 43K	MC 0.125W 1206 1% 43K
Resistor, 1206 430K	MC 0.125W 1206 1% 430K
Resistor, 1206 43R	MC 0.125W 1206 1% 43R
Resistor, 1206 470R	MC 0.125W 1206 1% 470R
Resistor, 1206 4K7	MC 0.125W 1206 1% 4K7
Resistor, 1206 47K	MC 0.125W 1206 1% 47K
Resistor, 1206 470K	MC 0.125W 1206 1% 470K
Resistor, 1206 47R	MC 0.125W 1206 1% 47R
Resistor, 1206 510R	MC 0.125W 1206 1% 510R
Resistor, 1206 5K1	MC 0.125W 1206 1% 5K1
Resistor, 1206 51K	MC 0.125W 1206 1% 51K
Resistor, 1206 510K	MC 0.125W 1206 1% 510K
Resistor, 1206 51R	MC 0.125W 1206 1% 51R
Resistor, 1206 560R	MC 0.125W 1206 1% 560R

Thick Film Chip Resistors

General Purpose



Part Number Table

Description	Part Number
Resistor, 1206 5K6	MC 0.125W 1206 1% 5K6
Resistor, 1206 56K	MC 0.125W 1206 1% 56K
Resistor, 1206 560K	MC 0.125W 1206 1% 560K
Resistor, 1206 56R	MC 0.125W 1206 1% 56R
Resistor, 1206 620R	MC 0.125W 1206 1% 620R
Resistor, 1206 6K2	MC 0.125W 1206 1% 6K2
Resistor, 1206 62K	MC 0.125W 1206 1% 62K
Resistor, 1206 620K	MC 0.125W 1206 1% 620K
Resistor, 1206 62R	MC 0.125W 1206 1% 62R
Resistor, 1206 680R	MC 0.125W 1206 1% 680R
Resistor, 1206 6K8	MC 0.125W 1206 1% 6K8
Resistor, 1206 68K	MC 0.125W 1206 1% 68K
Resistor, 1206 680K	MC 0.125W 1206 1% 680K
Resistor, 1206 68R	MC 0.125W 1206 1% 68R
Resistor, 1206 750R	MC 0.125W 1206 1% 750R
Resistor, 1206 7K5	MC 0.125W 1206 1% 7K5
Resistor, 1206 75K	MC 0.125W 1206 1% 75K
Resistor, 1206 750K	MC 0.125W 1206 1% 750K
Resistor, 1206 75R	MC 0.125W 1206 1% 75R
Resistor, 1206 820R	MC 0.125W 1206 1% 820R
Resistor, 1206 8K2	MC 0.125W 1206 1% 8K2
Resistor, 1206 82K	MC 0.125W 1206 1% 82K
Resistor, 1206 820K	MC 0.125W 1206 1% 820K
Resistor, 1206 82R	MC 0.125W 1206 1% 82R
Resistor, 1206 910R	MC 0.125W 1206 1% 910R
Resistor, 1206 9K1	MC 0.125W 1206 1% 9K1
Resistor, 1206 91K	MC 0.125W 1206 1% 91K
Resistor, 1206 910K	MC 0.125W 1206 1% 910K
Resistor, 1206 91R	MC 0.125W 1206 1% 91R
Resistor, 00HM, 0.125W, 5%	MC 0.125W 1206 0R

Important Notice : This data sheet and its contents (the "Information") belong to the members of the Premier Farnell group of companies (the "Group") or are licensed to it. No licence is granted for the use of it other than for information purposes in connection with the products to which it relates. No licence of any intellectual property rights is granted. The Information is subject to change without notice and replaces all data sheets previously supplied. The Information supplied is believed to be accurate but the Group assumes no responsibility for its accuracy or completeness, any error in or omission from it or for any use made of it. Users of this data sheet should check for themselves the Information and the suitability of the products for their purpose and not make any assumptions based on information included or omitted. Liability for loss or damage resulting from any reliance on the Information or use of it (including liability resulting from negligence or where the Group was aware of the possibility of such loss or damage arising) is excluded. This will not operate to limit or restrict the Group's liability for death or personal injury resulting from its negligence. Multicomp is the registered trademark of the Group. © Premier Farnell plc 2011.