

AC-AC Plugtop Adaptor



Features:

- 230 V ac Mains input voltage only
- Mains V ac to low vac converter / adaptor
- Attractive black plastic case
- UK and Euro plug parts from stock
- 1.8 Meter O/P lead
- 2.1 mm or multipack O/P plugs
- 1 Year warranty



More Information

Our AC-AC UK and Euro plug top adaptors are high quality and high reliability units which operate in Europe and countries running 230 V ac 50Hz mains voltage. As standard they come in a black plastic case but this along with many other features can be modified for a custom order for very specific individual customer requirements. These units are manufactured in China and comply with EN60950-1, CE, EMC and safety requirements.

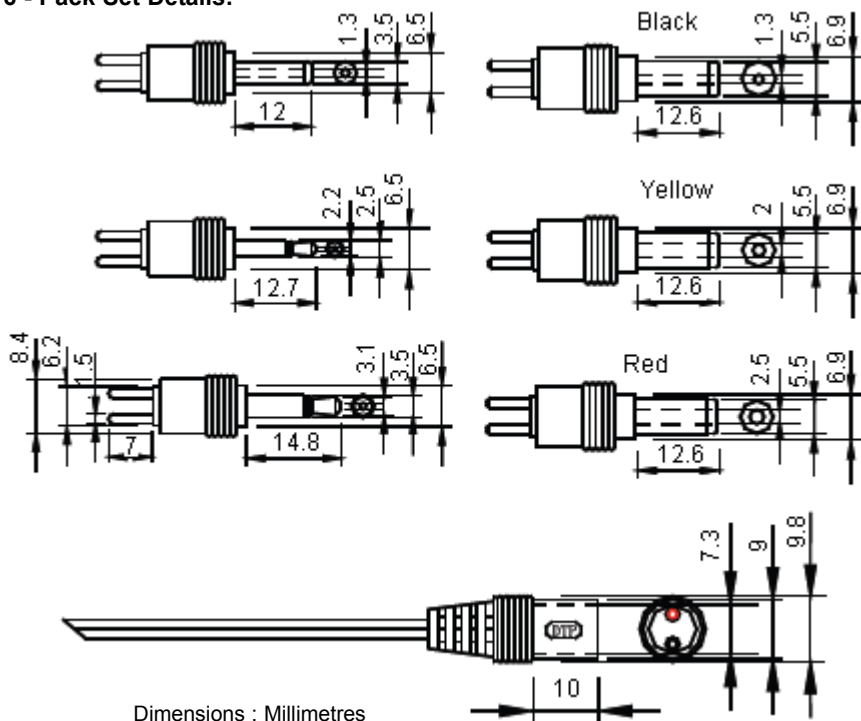
Please Note : Many AC-AC adaptors are not very energy efficient and can not meet level IV and V energy efficiency requirements as set out in European law, however there are many exemptions. Please make sure you bear this in mind when you design new products or are looking to source our AC-AC adaptors.

Product Selection Chart with Electrical Specifications

UK Plug Range										
Voltage (On load)	Voltage (Off Load)	Current	Insulation (at 500 V dc)	Hi-Pot Test (IP-OP)	Magnetising Current	Thermal Fuse	O/P Connector	Case Size	Weight (Kg)	Part Number
12 V ac	14.2 V ac	1,000 mA	100 MΩ	3,750 V ac	50 mA	130°C	6 - pack	EI-48	0.48	LGA120100BS

O/P Plug Configurations

6 - Pack Set Details:

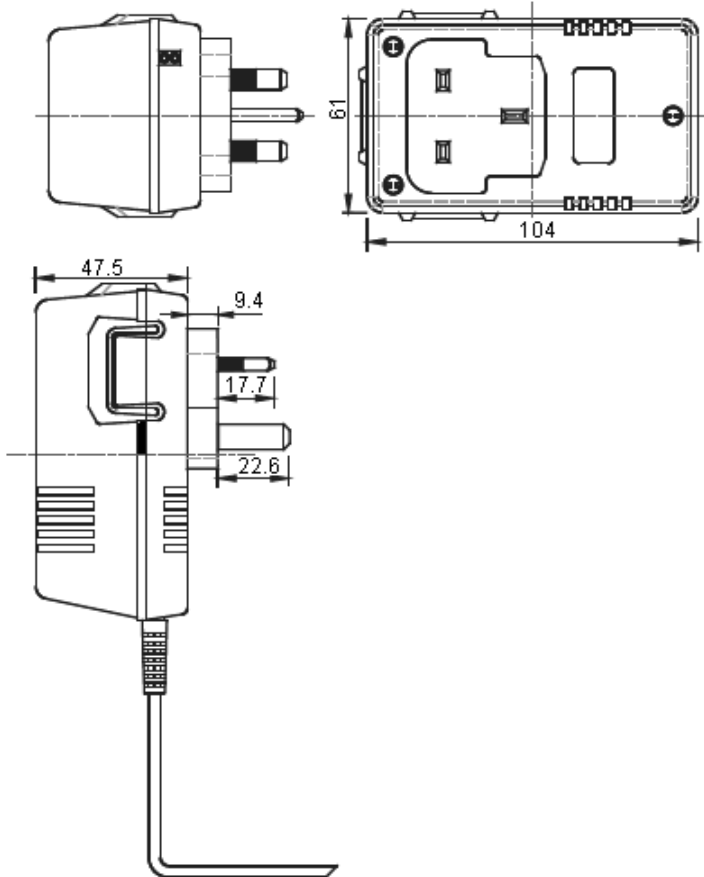


AC-AC Plugtop Adaptor

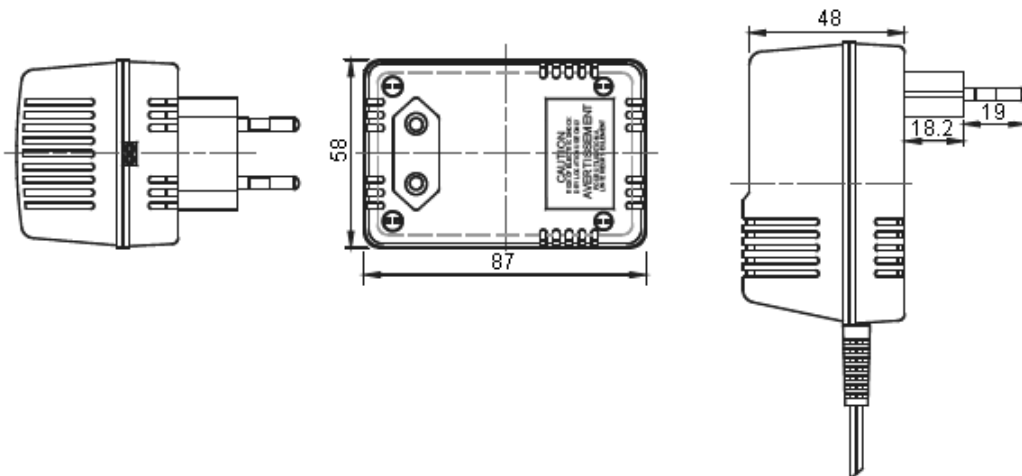


Case Drawings

EI-48-BS Details:



EI-48-EU Details:



Dimensions : Millimetres

Important Notice : This data sheet and its contents (the "Information") belong to the members of the Premier Farnell group of companies (the "Group") or are licensed to it. No licence is granted for the use of it other than for information purposes in connection with the products to which it relates. No licence of any intellectual property rights is granted. The Information is subject to change without notice and replaces all data sheets previously supplied. The Information supplied is believed to be accurate but the Group assumes no responsibility for its accuracy or completeness, any error in or omission from it or for any use made of it. Users of this data sheet should check for themselves the Information and the suitability of the products for their purpose and not make any assumptions based on information included or omitted. Liability for loss or damage resulting from any reliance on the Information or use of it (including liability resulting from negligence or where the Group was aware of the possibility of such loss or damage arising) is excluded. This will not operate to limit or restrict the Group's liability for death or personal injury resulting from its negligence. Multicom is the registered trademark of the Group. © Premier Farnell plc 2011.