

Empty Cable Reel

Steel

Reels Without Cable



Features:

- A range of thermoplastic and coated steel cable reels for spring lead assemblies and cables
- The reels can be customised using the removable face plates and are especially suitable for mobile, stage, site and outside broadcasting applications
- Adjustable brakes
- Winding handles
- Bow type safety handles
- Removable face plates allowing specific connectors to be mounted
- Cables can be fed through the face plate to a grommeted opening in the cable drum for custom applications
- Blank and loaded face plates available for selected versions

Specifications:

Thermoplastic types:

A range of empty cable reels with red thermoplastic drums and coated, heavy duty steel stands.

Coated steel types:

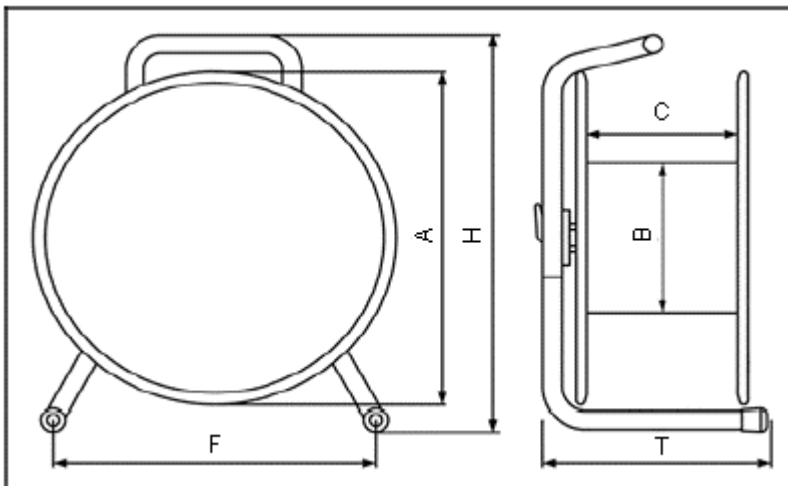
A range of empty cable reels with red powder coated steel flanges and heavy duty steel frames.

Auxiliary winder:

Replaces the existing face plate and allows a piece of cable to feed through the front plate and that the reel can be moved further away from the equipment. A hole in the centre allows access to the drum and when not in use, the cable can be wound onto the flange for storage.

Loaded face plates:

Replaces the existing face plates and feature 3 × 13 A type sockets, 2 × 16 A/110 V (yellow) or 2 × 16 A/240 V (Blue) BS4343 type sockets.



Dimensions : Millimetres

Empty Cable Reel

Steel

pro-SIGNAL

Specification Table

| Description | Material | A | B | C | F | H | T | Part Number |
|------------------|----------|-----|-----|----|-----|-----|-----|-------------|
| Empty Cable Reel | Steel | 330 | 120 | 90 | 295 | 410 | 220 | HDM.330 |

Important Notice : This data sheet and its contents (the "Information") belong to the members of the Premier Farnell group of companies (the "Group") or are licensed to it. No licence is granted for the use of it other than for information purposes in connection with the products to which it relates. No licence of any intellectual property rights is granted. The Information is subject to change without notice and replaces all data sheets previously supplied. The Information supplied is believed to be accurate but the Group assumes no responsibility for its accuracy or completeness, any error in or omission from it or for any use made of it. Users of this data sheet should check for themselves the Information and the suitability of the products for their purpose and not make any assumptions based on information included or omitted. Liability for loss or damage resulting from any reliance on the Information or use of it (including liability resulting from negligence or where the Group was aware of the possibility of such loss or damage arising) is excluded. This will not operate to limit or restrict the Group's liability for death or personal injury resulting from its negligence. pro-SIGNAL is the registered trademark of the Group. © Premier Farnell plc 2011.

www.element14.com
www.farnell.com
www.newark.com
www.cpc.co.uk

pro-SIGNAL