



SSF24 Series

Miniature vertical side mount switch



- **Internal side mount switch**
- **Stainless steel 316**
- **Compact design**
- **User configurable N/O (make on rise) or N/C (make on fall)**
- **Temperature up to 120°C**

Technical Specification

Mounting style	Internal	Cable length - standard	100cm
Mounting thread	1/8" BSP	Cable size	17/0.10 - AWG22
Float & Stem material	316grade SS	Cable conductor material	Tinned copper
Maximum Temperature	120°C	Cable sheath material	XLPE
Maximum pressure	10 bar	Cable temperature rating	125°C
Float SG	0.7	Sealing gasket	Not supplied
Minimum fluid SG	0.8	Tightening torque for fixing nut	2.0kg/cm

Electrical Specification

Contact Form		N/O (N/C)
Switching Power Max	VA	50
Switching Voltage AC Max	V	300
Switching Voltage DC Max	V	300
Switching Current Max	A	0.5

All ratings are for resistive load only.

The SSF24 series is a compact vertical float action switch that is horizontally mounted and designed to achieve reliable switching.

Mounting is in the side of the tank from the inside, so requires access to the inside of the tank.

They are manufactured in 316 grade stainless steel and will work in liquids of SG 0.8 minimum.

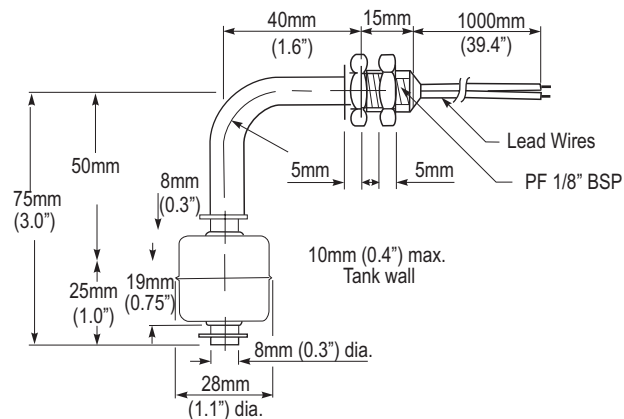
The switch action may be reversed by removing the float, inverting and then refitting it to the stem.

Standard Parts

Standard Parts	Material	Max Power	Leadouts
SSF24X100	SS 316	50VA	100cm XLPE 17/0.1

Custom versions can be made for particular applications. Please contact Cynergy3 with your requirements.

Mechanical Dimensions



Cynergy3 Components Ltd.
 7 Cobham Road
 Ferndown Industrial Estate
 Wimborne, Dorset BH21 7PE
 Telephone +44 (0) 1202 897969

Email: sales@cynergy3.com

ISO9001 CERTIFIED

www.cynergy3.com