



- Multi Frequency Operates at:
- 433 / 868MHz
- GSM 900/1800/1900MHz/UMTS
- Max gain: +3dB
- VSWR <4:1
- 50ohm
- 3m RG174 Lead SMA (M)
- Waterproof ABS Enclosure
- Dimensions 130 x 45 x 27mm
- Alternative Connectors: FME / Mini-UHF / TNC
- Vertical Polarization
- Operating Temp -30 to +85°C



Two Mounting Options

- Mounting 2 x 3mm screws, or
- Centre Panel mount Bolt

Description

A Miniature Patch Panel Antenna ideal for external use. This antenna can operate at 433, 868, 900, 1800, 1900, UMTS frequencies.

This antenna should be vertically mounted on any surface (can be metallic or non metallic), and provides an excellent performance within a compact discrete enclosure.

Applications

- Range Extension for;
 - General Low Power Radio
 - GSM / UMTS
- M2M Applications
- Telemetry



Mini Patch Panel Antenna +3dB

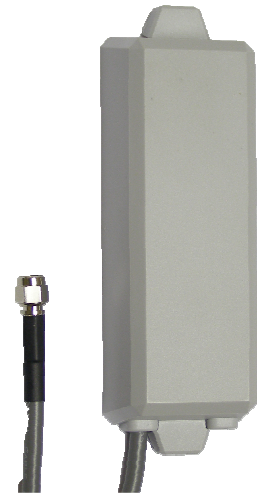
OUTSIDE-W
OUTSIDE-T

Wall Mount Version

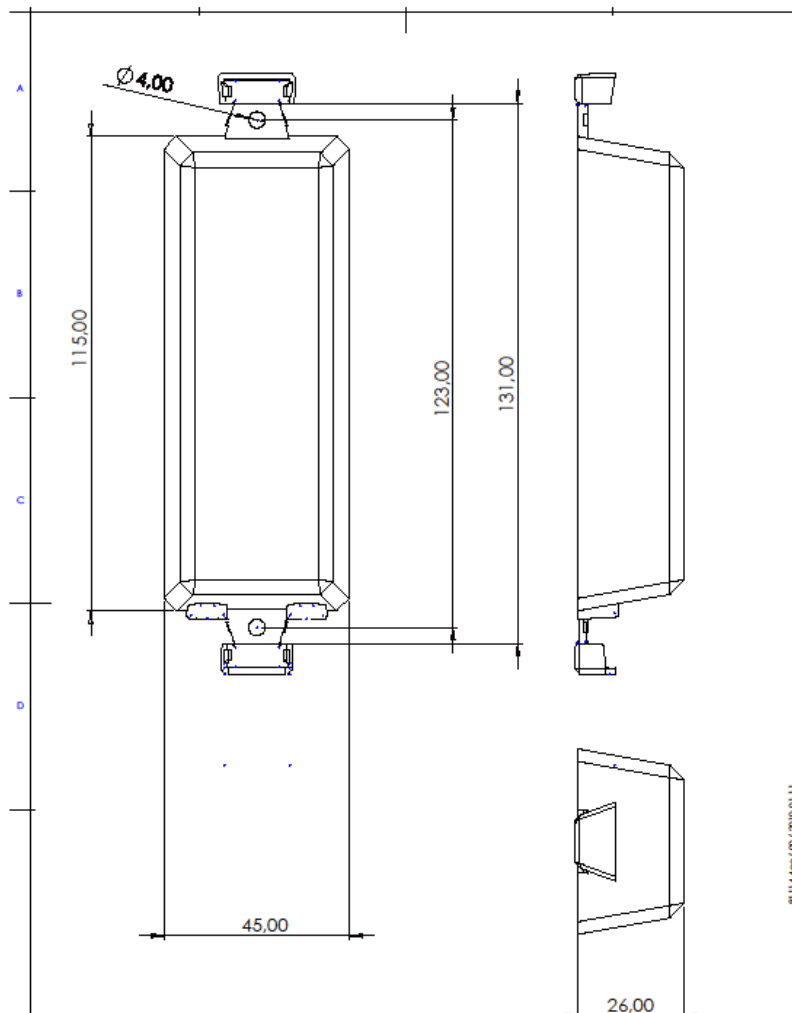
Two two fixing holes (DIA 3mm) top and bottom

Flanges clip over to cover.

Part Number	Cable	Connector
OUTSIDE-WSMA	3metres RG174	SMA(M)
OUTSIDE-WFME	3metres RG174	FME



Mechanical Dimensions



8114400/00/2010-01-11

Dimension not on drawing, refers to 2D/3D-file.

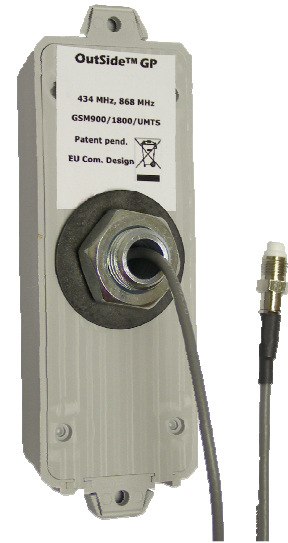
POS	QTY	Name	Model	Dimension / Colour	Remark
1	1	OutSide W			
RF Solutions Ltd			Design: XX	ISO 2768-1m	Scale: 1:1
			Appr: XX	Date: 2010-01-11	Part: 81114
					Rev: 00
					81114-400



Thro Hole Mount Version

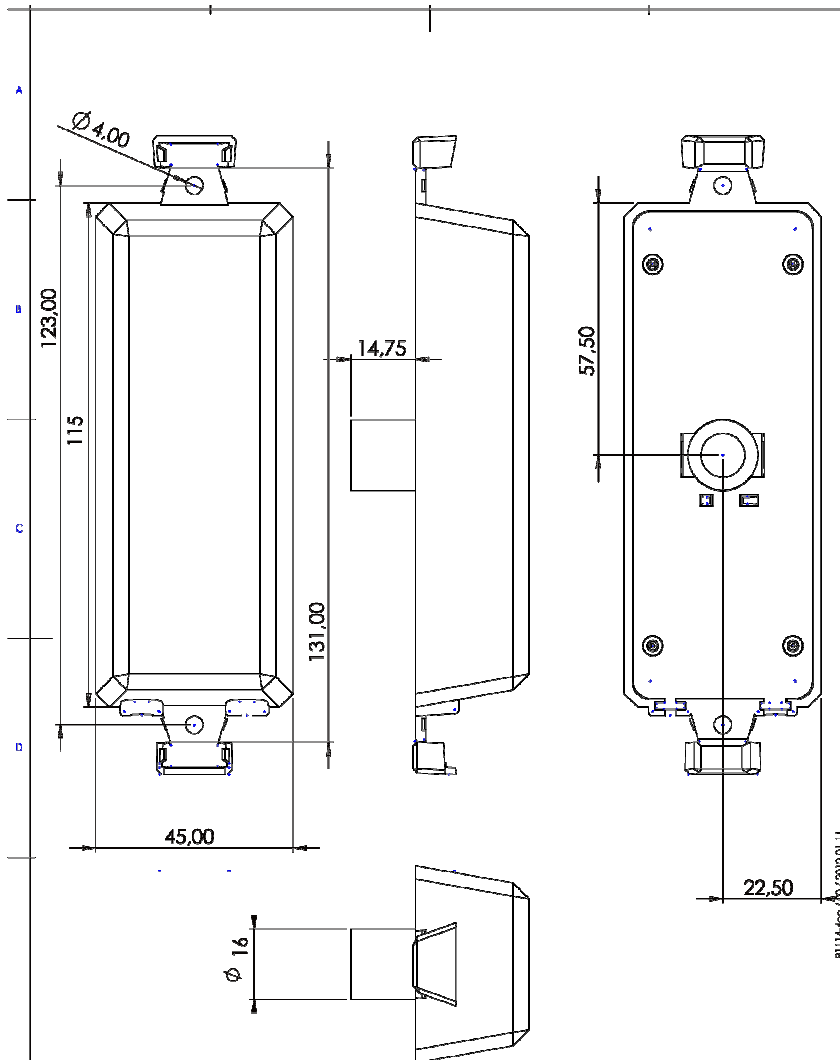
Single Fixing Bolt from centre of rear

Invisible Cable exits thro fixing Bolt



Part Number	Cable	Connector
OUTSIDE-TSMA	3metres RG174	SMA(M)
OUTSIDE-TFME	3metres RG174	FME

Mechanical Dimensions

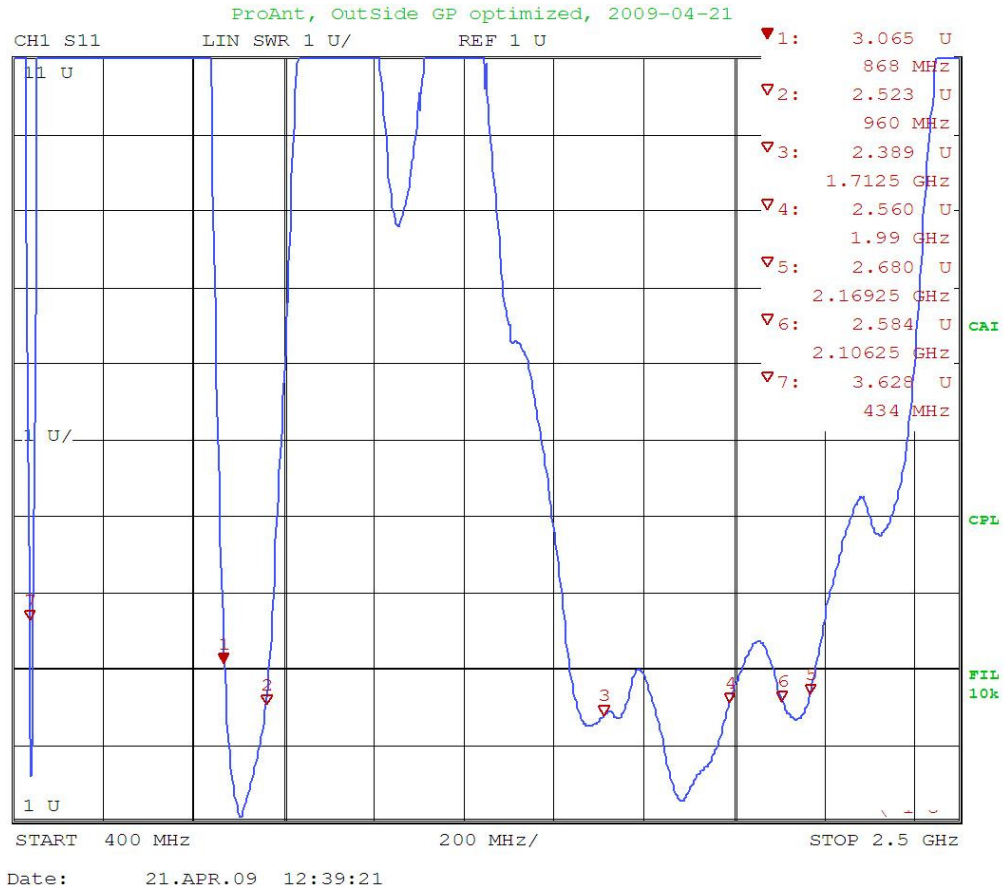


Dimension not on drawing, refers to 2D/3D-file.

POS	QTY	Name	Altfield	Dimension / Colour	Scale	Rev.	Rev.
1	1	OutSide GP TH					
RF Solutions Ltd			Design: XX	ISO 2768-1m	1:1	81114	00
			Appr: XX	Date: 2010-01-11	81114-00		



Performance / VSWR Plot



RF Solutions Ltd.,
Unit 21, Cliffe Industrial Estate,
Lewes, E. Sussex. BN8 6JL. England.

Email : sales@rfsolutions.co.uk <http://www.rfsolutions.co.uk>

Tel: +44 (0)1273 898 000 Fax: +44 (0)1273 480 661

