



American Hakko Products, Inc.

P R O D U C T B U L L E T I N

Bulletin No: PB197

Issue Date: June 14, 2004

Product:
FM-2024 Desoldering

Part No:
FM2024-01

Comments:

The FM-2024 Desoldering Tool is the latest in the modular series of accessories for the FM-202 station. The FM-2024 will also operate with the FP-102 Soldering Station. The FM-2024 was designed to meet the demanding needs of lead free soldering. The nozzle/heater cartridge provides superior thermal recovery and easy nozzle change. Operators no longer need to decide between a pistol or pencil style of desoldering tool; the FM-2024 can be switched between either configuration. The handle can be easily removed or installed allowing the operator to choose the most comfortable configuration. The solder collection filters are disposable and easy to replace. The FM-2024 utilizes shop air to create the vacuum. Nozzles are not included with the FM-2024.

You must have a FM-202 with at least software version 7 in order to operate the FM-2024. The FM-2024 will also operate with any FP-102. Hakko will upgrade any previous software versions of FM-202s at no cost. Please contact your Hakko Regional Sales Manager or Manufacturers Representative to have your FM-202 software upgraded.

Contents:

Quantity	Description	Part No.
1	Desolder Control Box	C1492
1	Desoldering tool, FM-2024 w/ Filter pipe assembly	FM2024-02
1	Iron Holder	634-07
1	Handle (for gun configuration)	B2872
1	Cleaning drill (for heating element)	B2873
1	Nozzle remover	B2876
2	Rubber feet (for use with FP-102)	n/a



From...

For pricing information, please contact your local American Hakko representative or our customer service department at (661) 294-0090.

American Hakko Products, Inc.
28920 N. Avenue Williams.
Valencia, CA 91355
Tel: (661) 294-0090
Fax: (661) 294-0096
www.hakkousa.com
AHP14 Rev 2000-01

Specification:**Desolder Control Box (DCB)**

Power consumption	12W
Output	24V
Vacuum generator	Ejector type
Vacuum pressure (max.)	93kPa (700mmHg)(28in.Hg)
Suction flow	28 l/min.
Tip to ground potential	< 2mV
Applied air pressure	490kPa (5.0kgf/cm ²)when in use
Compressed air consumption	1.62c.f.m. (46 l/min.)
Outer dimension, less cord	4.7(W) x 1.8(H) x 6.8(D)in. (119x45x172mm)
Weight	2.6 lb. (1.2kg)

Desoldering tool

Power consumption	70W (24V)
Temperature range	650° - 840° F (350° - 450° C)
Tip to ground potential	< 2 mV
Tip to ground resistance	< 2 Ohm
Length, less cord	7.09 in. (180mm)
Weight, less cord & hose	0.14 lb. (65g)
Length of cord	4ft. (1.2m)

Accessories:

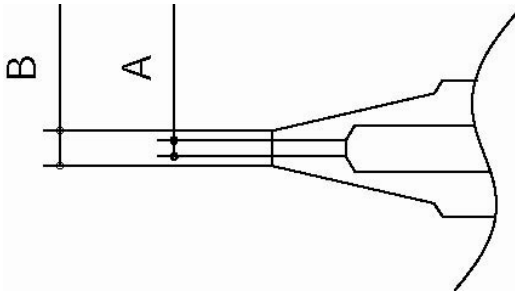
Filter pipe assembly (set of 10)	A1511
Cleaning Pin 0.6 mm	B2874
Cleaning Pin 2.3 mm	B2875
Cleaning Pin 0.8 mm	B1086
Cleaning Pin 1.0 mm	B1087
Cleaning Pin 1.3 mm	B1088
Cleaning pin 1.6 mm	B1089
Ceramic paper filter, set of 10 (for DCB)	A1514
Cleaning wire, for 599B	599-029

For pricing information, please contact your local American Hakko representative or our customer service department at (661) 294-0090.

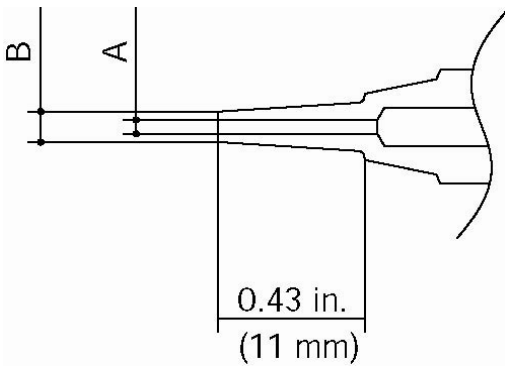
From...

American Hakko Products, Inc.
28920 N. Avenue Williams.
Valencia, CA 91355
Tel: (661) 294-0090
Fax: (661) 294-0096
www.hakkousa.com
AHP14 Rev 2000-01

Nozzles:



Part No.	Part Name	A	B
N1-06	Nozzle, 0.6 mm	0.6 mm	1.9 mm
N1-08	Nozzle, 0.8 mm	0.8 mm	2.0 mm
N1-10	Nozzle, 1.0 mm	1.0 mm	2.2 mm
N1-13	Nozzle, 1.3 mm	1.3 mm	2.6 mm
N1-16	Nozzle, 1.6 mm	1.6 mm	3.0 mm
N1-20	Nozzle, 2.0 mm	2.0 mm	3.4 mm
N1-23	Nozzle, 2.3 mm	2.3 mm	3.8 mm



Part No.	Part Name	A	B
N1-L10	Long Nozzle, 1.0 mm	1.0 mm	2.3 mm

Available:

July 01, 2004

For pricing information, please contact your local American Hako representative or our customer service department at (661) 294-0090.

From...

American Hako Products, Inc.
 28920 N. Avenue Williams.
 Valencia, CA 91355
 Tel: (661) 294-0090
 Fax: (661) 294-0096
 www.hakkousa.com
 AHP14 Rev 2000-01