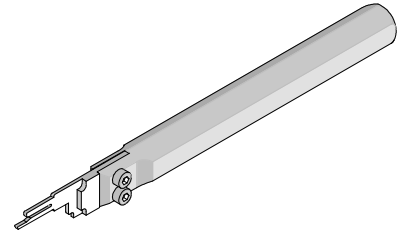




Extractor Tool Instruction Sheet Order No. 63813-3800



FEATURES

- This Extractor Tool is for the removal of Crimp Terminals from plugs and sockets.

SCOPE

Products: Unsealed Connectors 2-6 Way.

Connector Series No.	Color	Connector Order No.						
98815	White	98815-1020	98815-1030	98815-1040				
	Black	98815-1021	98815-1031	98815-1041				
	Green	98815-1025	98815-1035	98815-1045				
	Grey	98815-1028		98815-1048				
98817	White	98817-1020	98817-1030	98817-1040	98817-2020	98817-2030	98817-2040	
	Black	98817-1021	98817-1031	98817-1041	98817-2021	98817-2031	98817-2041	
	Green	98817-1025	98817-1035	98817-1045	98817-2025	98817-2035	98817-2045	
	Grey	98817-1028		98817-1048	98817-2028		98817-2048	
98818	White	98818-1020						
	Black	98818-1021						
	Green	98818-1025						
	Grey							
98819	White	98819-1020						
	Black	98819-1021						
	Green	98819-1025						
	Grey							
98820	White	98820-1030	98820-1060					
	Black	98820-1031	98820-1061					
	Green	98820-1035	98820-1065					
	Grey		98820-1068					
	Brown	98820-1039	98820-1069					
98821	White	98821-1030	98821-1060					
	Black	98821-1031	98821-1061					
	Green	98821-1035	98821-1065					
	Grey		98821-1068					
	Brown	98821-1039	98821-1069					
98822	White	98822-0020	98822-0040	98822-0050	98822-1020	98822-1030	98822-1040	
	Black	98822-0021	98822-0041		98822-1021	98822-1031	98822-1041	98822-1051
	Green	98822-0025	98822-0045		98822-1025	98822-1035	98822-1045	
	Grey	98822-0028		98822-0058	98822-1028			
98824	White	98824-0010		98824-1010				
	Black		98824-0021	98824-1021				
	Green	98824-0015		98824-1025				
	Grey							
98825	White	98825-0060	98825-1060					
	Black	98825-0061	98825-1061					
	Green	98825-0065	98825-1065					
	Grey	98825-0068	98825-1068					
	Brown	98825-0069	98825-1069					

DESCRIPTION:

This Extractor Tool is for the removal of 2-6 Way Receptacle Terminals from 988xx Series plugs and sockets.

OPERATION:

For extracting a terminal from the Female connector (socket).

1. The secondary lock of the connector or socket will need to be unlocked before extracting the terminal. This is done by positioning the extractor tool on the opposite side of the hinge and pushing up on the cover. See Figure 2.
2. When the cover is open, push the wire of the crimped terminal forward in the arrow direction shown before using the Extractor Tool. See Figure 3.
3. Line up the terminal to be removed in the connector assembly with the tip of the Extractor Tool.
4. Insert and slide the Extractor Tool into the slot of the connector housing. Positioning it under the housing lock as shown in Figure 3.
5. Slide the Extractor Tool in the direction shown, lifting up the housing lock. While lifting the housing lock, push the terminal back through the connector slot and pull the terminated wire out in the arrow direction. See Figure 4.

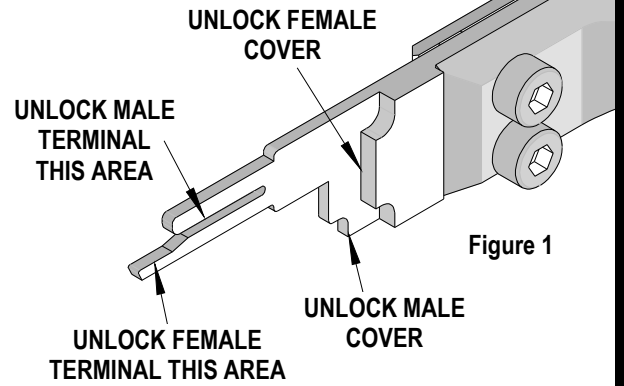


Figure 1

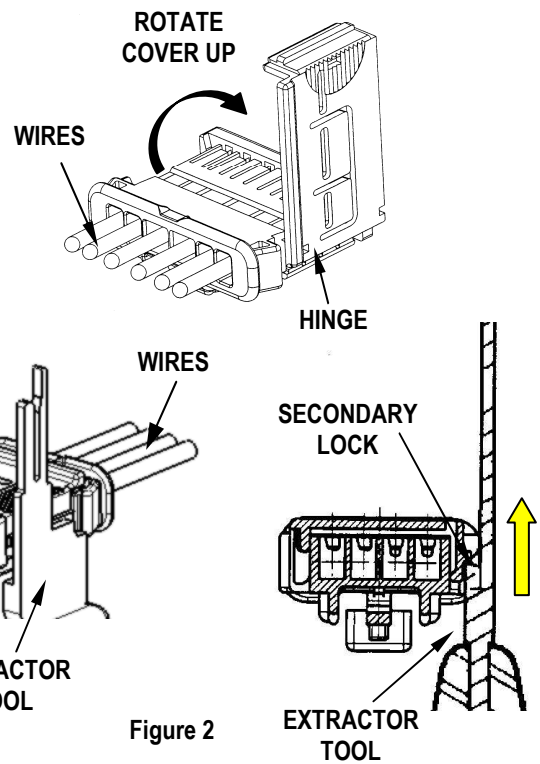


Figure 2

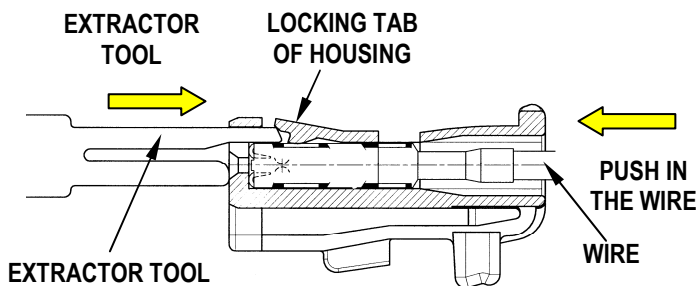


Figure 3

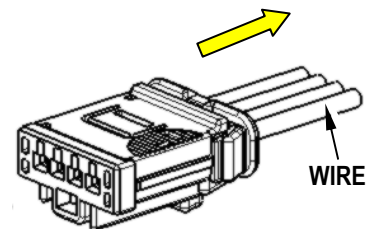


Figure 4

For extract a terminal from the Male connector (plug).

Some of the male connectors or plugs come with the cover called a TPA™; this TPA™ will need to be unlocked before extracting the terminals.

1. The secondary locks on both sides of the connector will need to be unlocked. Position the extractor tool under the TPA™ on one side as shown and push up on the TPA™ cover. Do the same to the opposite side of the TPA™. See Figure 5.
2. When the TPA™ is slid open, push the wire of the crimped terminal forward in the arrow direction shown before using the Extractor Tool. See Figure 6.
3. Insert and slide the Extractor Tool into the slot of the connector housing.
4. Line up the terminal to be removed between the blades of the extractor tool inside the connector assembly.
5. Position the extractor tool under the housing lock as shown in Figure 6.
6. Slide the Extractor Tool in the direction shown pushing down the housing lock. While pushing the housing lock down, push the terminal back through the connector slot and pull the terminated wire out in the arrow direction. See Figure 7.

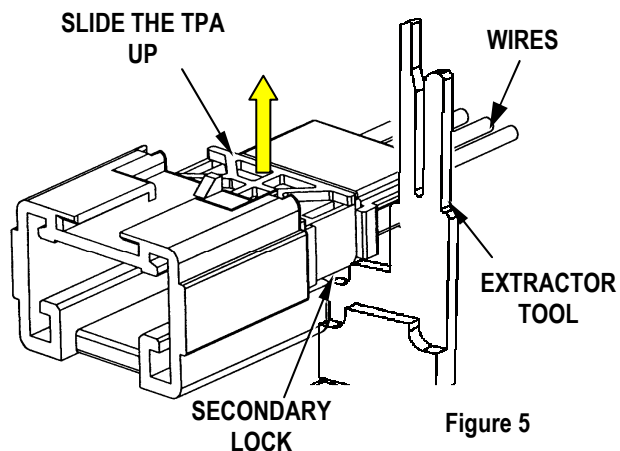


Figure 5

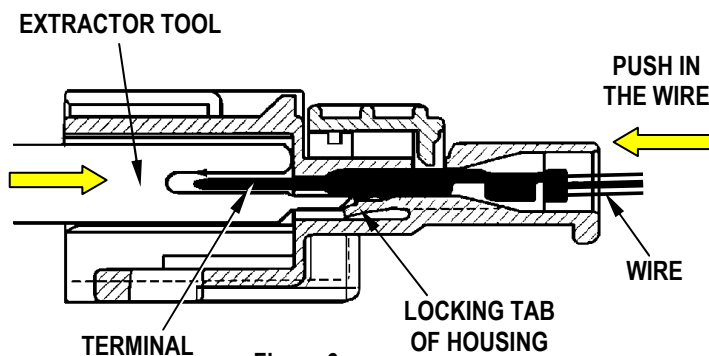


Figure 6

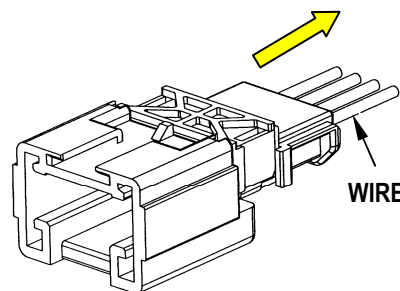


Figure 7

Molex does not offer repair parts for Extractor Tools due to the inexpensive nature of these tools.

CAUTION: Molex specifications are valid only when used with Molex connectors and tooling.

Contact Information

For more information on Molex application tooling please contact Molex at 1-800-786-6539.

Americas Headquarters
 Lisle, Illinois 60532 U.S.A.
 1-800-78MOLEX
 amerinfo@molex.com

Far East North Headquarters
 Yamato, Kanagawa, Japan
 81-462-65-2324
 feninfo@molex.com

Far East South Headquarters
 Jurong, Singapore
 65-6-268-6868
 fesinfo@molex.com

European Headquarters
 Munich, Germany
 49-89-413092-0
 eurinfo@molex.com

Corporate Headquarters
 2222 Wellington Ct.
 Lisle, IL 60532 U.S.A.
 630-969-4550
 Fax: 630-969-1352

Visit our Web site at <http://www.molex.com>