



### Main

Range of product	Harmony XB5R
Product or component type	Wireless and batteryless package
Device short name	XB5R
Head material	Plastic
Kit composition	1 plastic pushbutton, 1 receiver and 1 set of caps

### Complementary

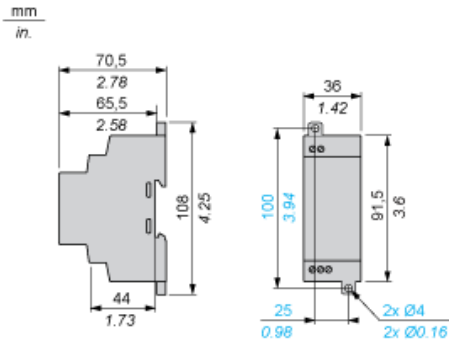
Control type	Wireless and batteryless pushbutton handy box assembled on fixing collar
Type of receiver	Non-programmable receiver (1 relay)
[Us] rated supply voltage	24 V DC
Catalog part number	ZBRT1 ZB5RZA0 ZB5AZ009 ZBA79 Paired receiver ZBRM01

### Environment

Product certifications	CSA C-Tick GOST UL ANATEL SRRC
Marking	CE
Standards	IEC 6100-4-2 IEC 6100-4-3 IEC 6100-4-4 IEC 6100-4-5 IEC 6100-4-6 IEC 6100-4-11

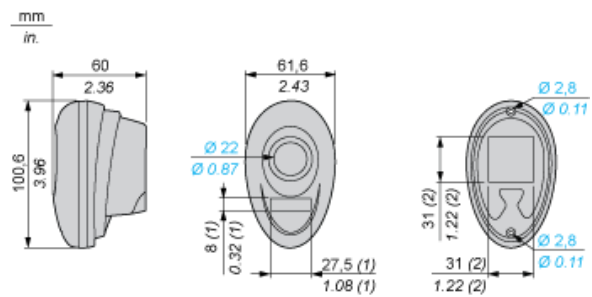
The information provided in this documentation contains general descriptions and/or technical characteristics of the performance of the products contained herein. This documentation is not intended as a substitute for and is not to be used for determining suitability or reliability of these products for specific user applications. It is the duty of any such user or integrator to perform the appropriate and complete risk analysis, evaluation and testing of the products with respect to the relevant specific application or use thereof. Neither Schneider Electric Industries SAS nor any of its affiliates or subsidiaries shall be responsible or liable for misuse of the information contained herein.

Non-Programmable Receiver



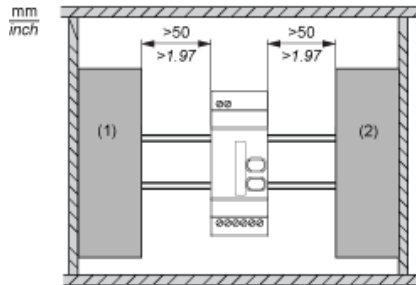
Wireless and Batteryless Pushbutton - Transmitter

Plastic Handy Box for Mobile Use



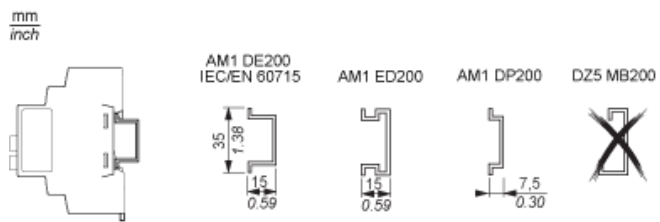
- (1) Location for ZBY0101T legend.
- (2) Location for magnet to be stuck on by the customer.

Receiver Clearance



- (1) Drive
- (2) Power Supply or PLC

Receiver Mounting

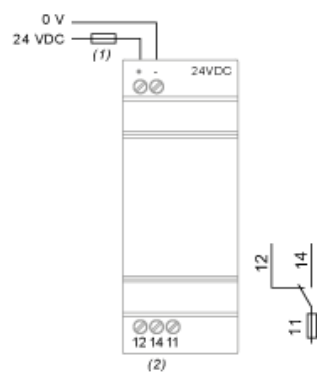


---

Non-Programmable Receiver

---

Wiring Diagram



- (1) 125 mA fast-blow fuse
- (2)  $I_{max} = 3\text{ A}$