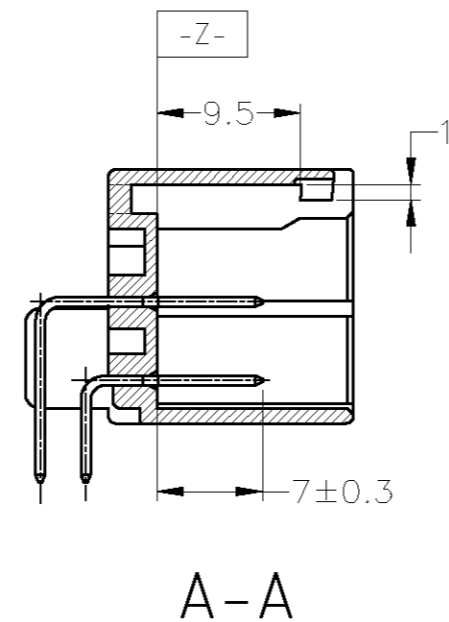
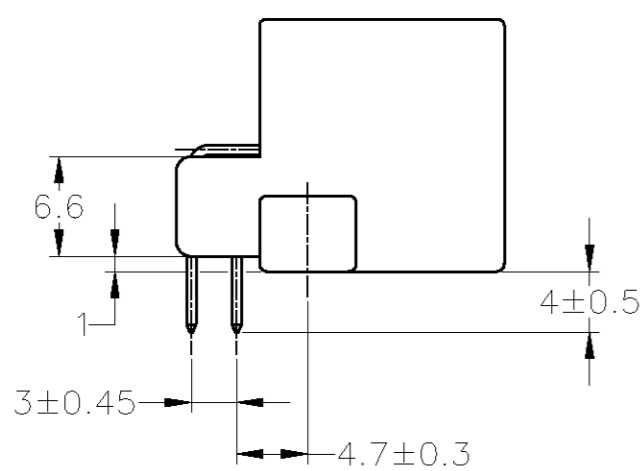
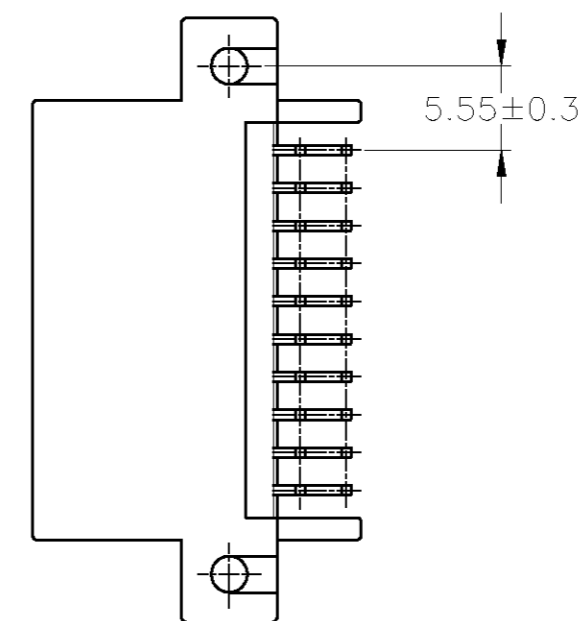
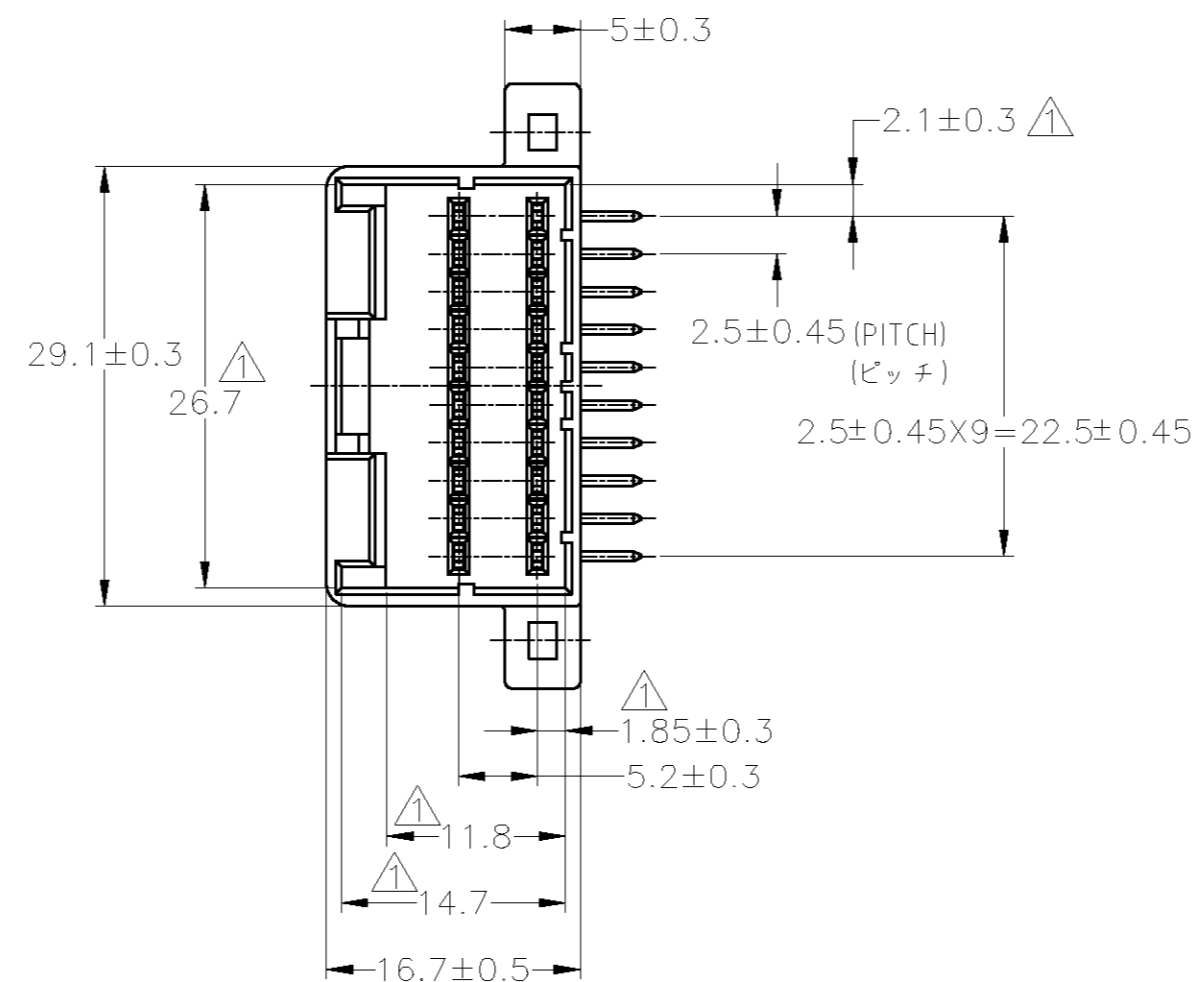
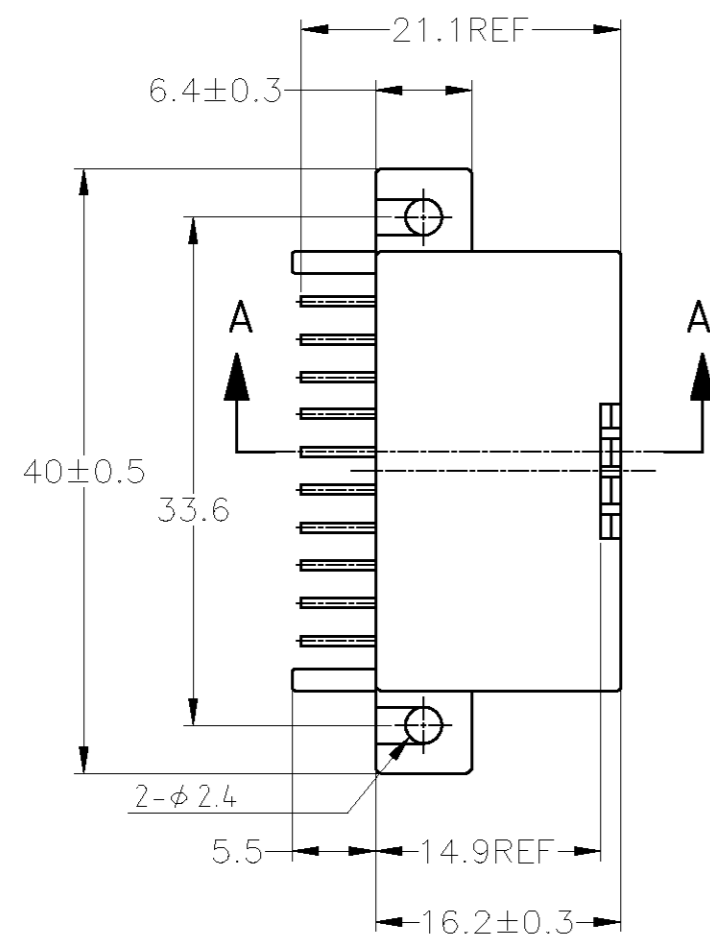
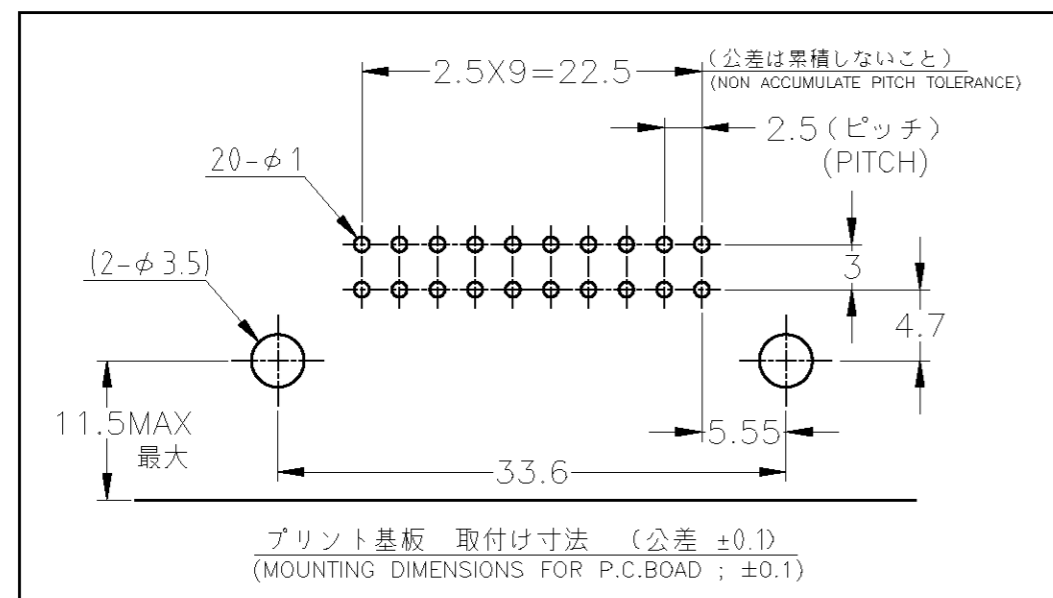


THIS DRAWING IS UNPUBLISHED. RELEASED FOR PUBLICATION  
 © COPYRIGHT - By - ALL RIGHTS RESERVED.

LOC		DIST		REVISIONS				
J	-	P	LTR	変更	DESCRIPTION	DATE	DWN	APVD
		G4	REVISED	ECR-11-016334		08AUG11	TS	KB



- △ 面より2mmの範囲で測定
  - 2. 適用プリント基板厚 : 1.6mm
  - 3. かん合相手ハウジング型番 : 174047
  - 4. 推奨取付けネジ : JIS B1115, B1122 タッピングねじ、なべ2種  
呼び径3、長さ7mm以上(締付トルク : 0.39N-m以下)
- △ TO BE MEASURED WITHIN 2mm FROM Z-Z
- 2 APPLICABLE P. C. BOARD THICKNESS: 1.6mm
  - 3 THE MATING PLUG HOUSING PART NUMBER: 174047
  - 4 RECOMMENDED MOUNTING SCREW: 3mm DIA, 7mm LENGTH (MIN.)  
PAN HEAD, CLASS 2 TAPPING SCREW SPECIFIED IN JIS B1115,  
B1122 (TIGHTENING TORQUE: 0.39N-m MAX.)



TIN-LEAD	SELECTIVE GOLD	BLUE	1-174055-5
TIN-LEAD	SELECTIVE GOLD	BLACK	1-174055-2
PRE-TIN		YELLOW	174055-7
PRE-TIN		BLUE	174055-5
PRE-TIN		GREEN	174055-4
SELECTIVE-TIN (MATTE)	SELECTIVE-TIN (BRIGHT)	BLACK	174055-3
PRE-TIN		BLACK	174055-2
OBSOLETE	SELECTIVE-TIN	PRE-TIN	BLACK
SOLDERING SIDE 半田付け部	CONTACT SIDE 接触部側	COLOR 色	PART NUMBER 製品型番
CONTACT FINISH コンタクト仕上			

THIS DRAWING IS A CONTROLLED DOCUMENT.		DWN T.SHINOHARA 15FEB05	TE Connectivity	
DIMENSIONS: 単位: 純 mm		CHK K.BETSUI 15FEB05		
TOLERANCES UNLESS OTHERWISE SPECIFIED: 一般公差		APVD K.BETSUI 15FEB05	NAME 名称	
0 PLC ± 1 PLC ± 2 PLC ± 3 PLC ± 4 PLC ± ANGLES ±		PRODUCT SPEC 製品規格	040 SERIES MULTI-LOCK I/O CONNECTOR 20POSITION CAP HOUSING ASSEMBLY (HORIZONTAL TYPE)	
FINISH 仕上		APPLICATION SPEC 取付適用規格	SIZE A2	CAGE CODE 00779
MATERIAL 材料 HOUSING; PBT CONTACT; BRASS		WEIGHT 6.1 g	DRAWING NO 番号 C=174055	RESTRICTED TO
一般公差 (GENERAL TOLERANCE) 10以下: ±0.2 30以下: ±0.25 30を超え 100以下: ±0.3 100を超え 角度: ±3°		CUSTOMER DRAWING		SCALE 尺度 2:1
		SEE TABLE		SHEET 1 of 1
				REV G4