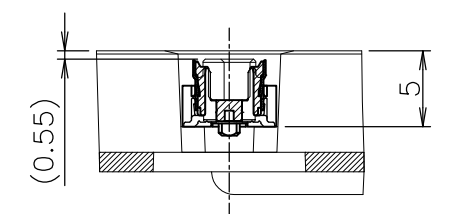
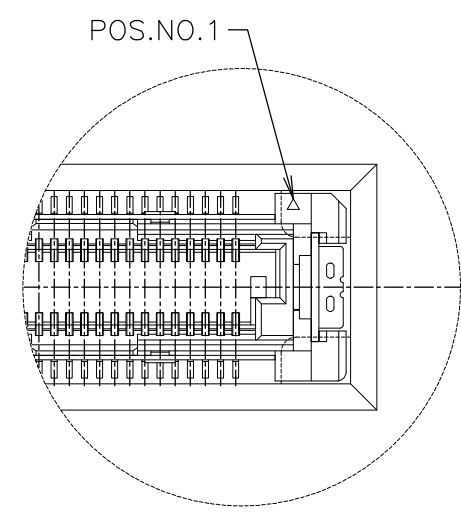
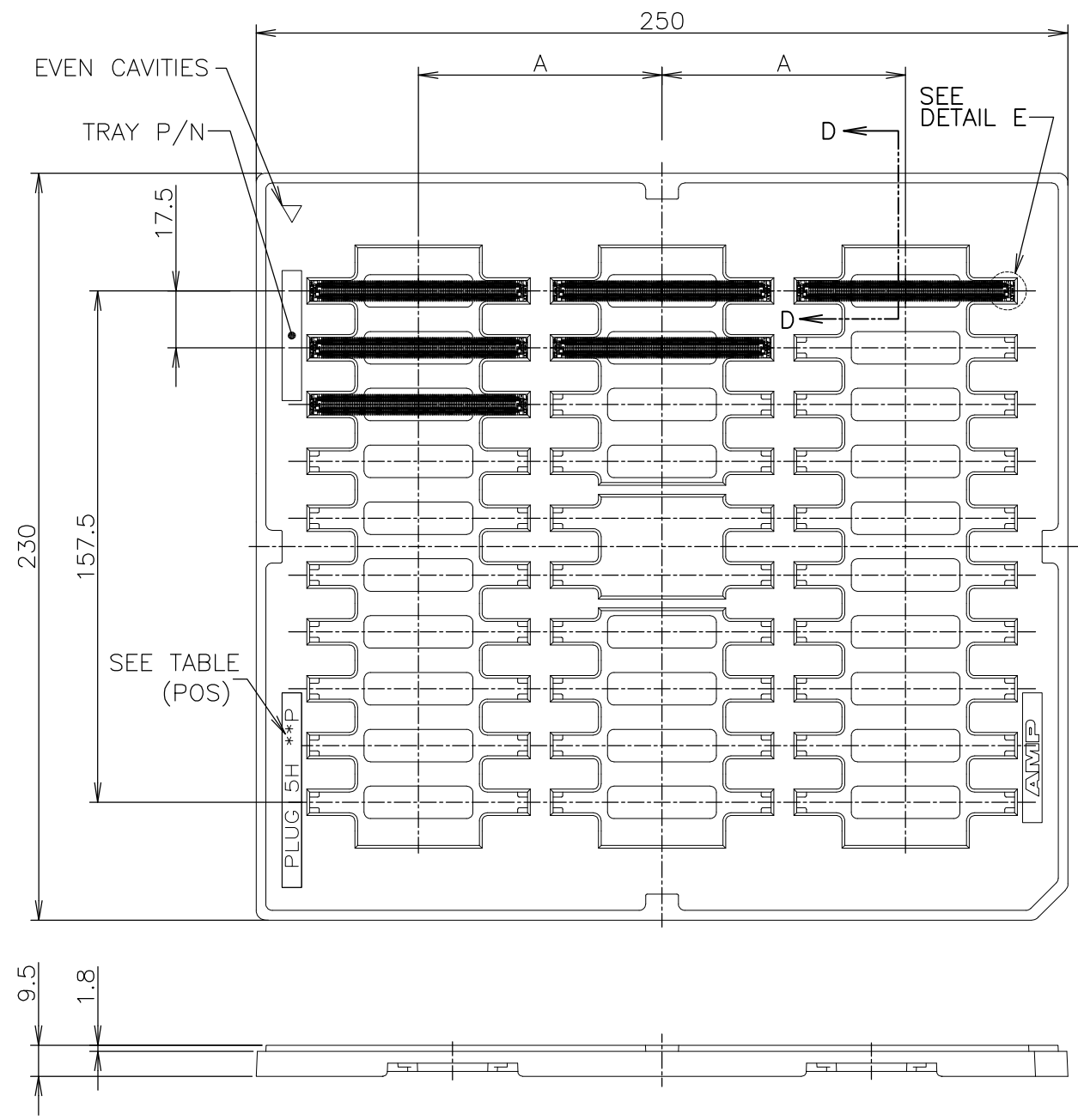


THIS DRAWING IS UNPUBLISHED. RELEASED FOR PUBLICATION .2005.  
 © COPYRIGHT 2005 By - ALL RIGHTS RESERVED.

LOC	DIST	REVISIONS					
		P	LTR	DESCRIPTION	DATE	DWN	APVD
J		A1		REVISED PER ECO-11-005030	11MAR11	RK	HMR



DETAIL E  
(SCALE 4:1)

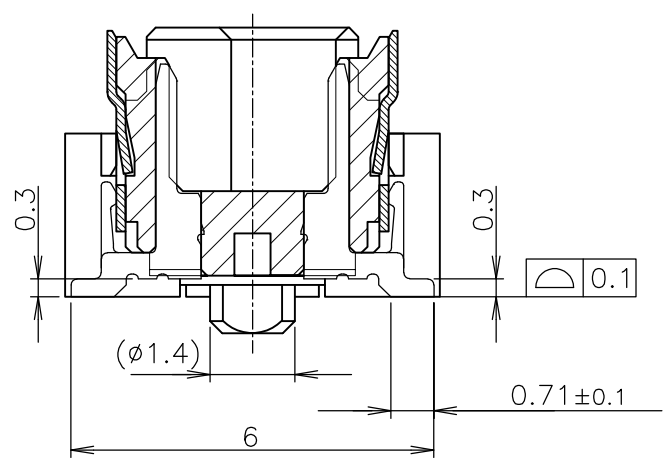
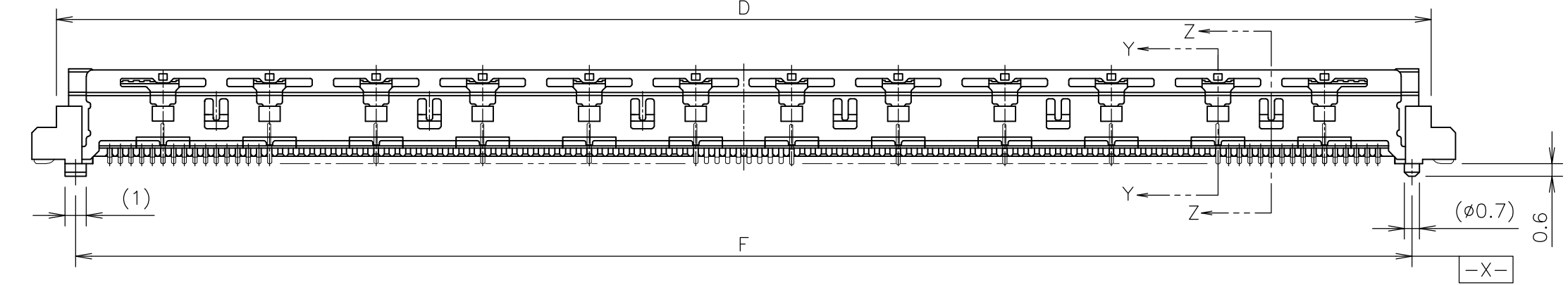
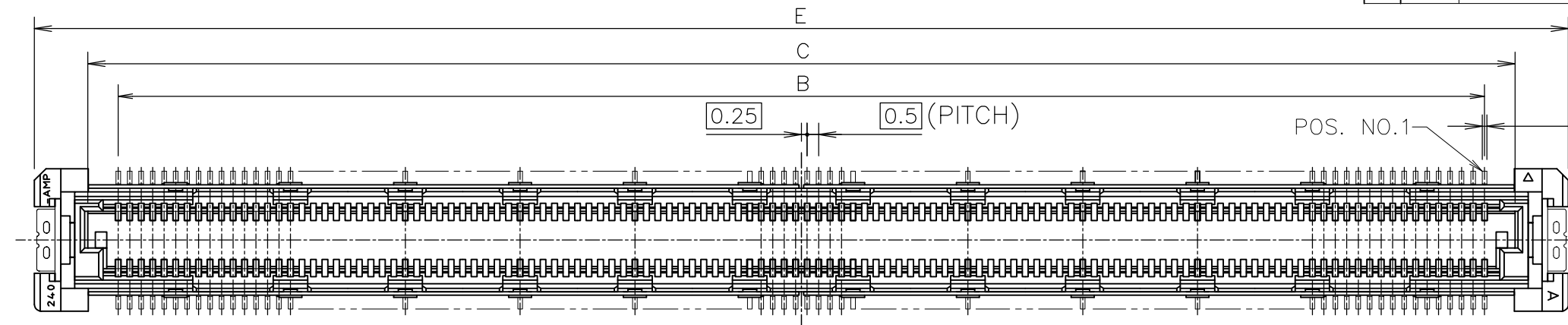
SECT. D-D  
(SCALE 2:1)  
ROTATED 90° CW

NO	3	30	75	220	3-1827253-6
SEALANT	ROW	QTY	A	POS.	PART NO.

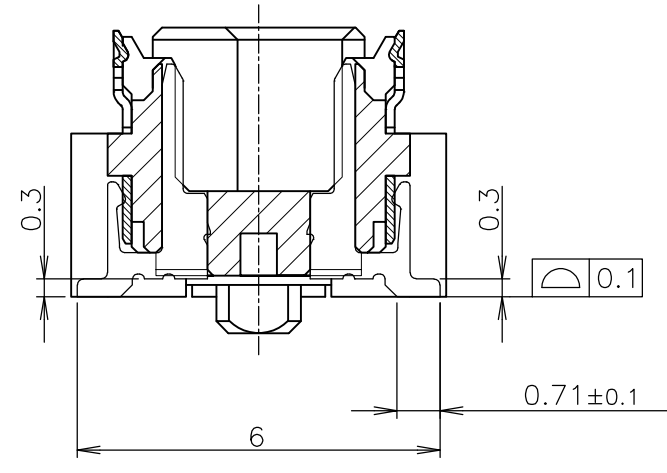
THIS DRAWING IS A CONTROLLED DOCUMENT.		DWN	S.CH IEN	18MAY05	<b>STE</b> TE Connectivity												
DIMENSIONS: MM		CHK	T.FUTATSUGI	18MAY05													
TOLERANCES UNLESS OTHERWISE SPECIFIED:		APVD	W.KODAMA	18MAY05													
<table border="1"> <tr><td>0 PLC</td><td>± 0.3</td></tr> <tr><td>1 PLC</td><td>± 0.3</td></tr> <tr><td>2 PLC</td><td>± 0.3</td></tr> <tr><td>3 PLC</td><td>± 0.3</td></tr> <tr><td>4 PLC</td><td>± 0.3</td></tr> <tr><td>ANGLES</td><td>± 3°</td></tr> </table>		0 PLC	± 0.3	1 PLC		± 0.3	2 PLC	± 0.3	3 PLC	± 0.3	4 PLC	± 0.3	ANGLES	± 3°	NAME		HARD TRAY ASSY
0 PLC	± 0.3																
1 PLC	± 0.3																
2 PLC	± 0.3																
3 PLC	± 0.3																
4 PLC	± 0.3																
ANGLES	± 3°																
MATERIAL		FINISH		PRODUCT SPEC		FH 0.5 BTB CONNECTOR 220POS											
				APPLICATION SPEC		PLUG 5H WITH GROUND PLATE											
				WEIGHT		SIZE	CAGE CODE	DRAWING NO	RESTRICTED TO								
				CUSTOMER DRAWING		A3	00779	C-1827253									
				SCALE		1:2	SHEET	1 OF 3	REV								
									A1								

THIS DRAWING IS UNPUBLISHED. RELEASED FOR PUBLICATION .2002.  
 © COPYRIGHT 2002 By - ALL RIGHTS RESERVED.

LOC	DIST	REVISIONS					
J		P	LTR	DESCRIPTION	DATE	DWN	APVD
		-		SEE SHEET 1	-	-	-



SECT. Z-Z  
(SIGNAL POSITION)  
(SCALE 8:1)



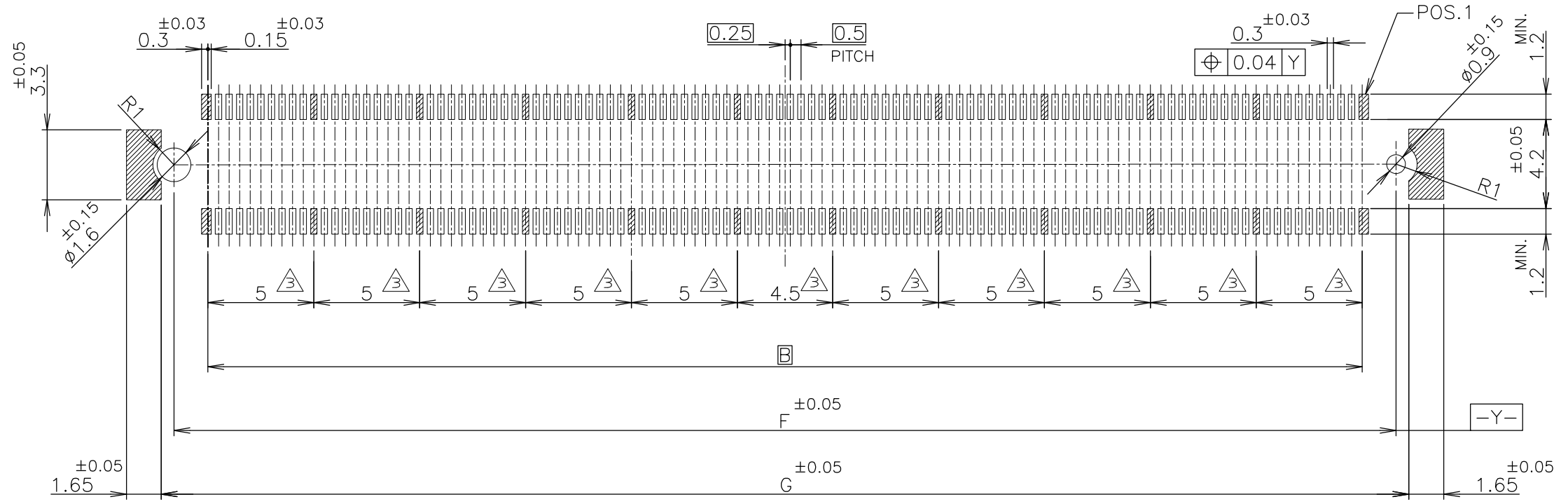
SECT. Y-Y  
(GROUND POSITION)  
(SCALE 8:1)

57.7	61.8	59.5	57.1	54.5	BLACK	220	3-1827253-6
F	E	D	C	B	CONN. COLOR	POS.	PART NO.

THIS DRAWING IS A CONTROLLED DOCUMENT.		DWN	<b>STE</b> TE Connectivity	
DIMENSIONS: MM		CHK		
TOLERANCES UNLESS OTHERWISE SPECIFIED:		APVD	NAME	
0 PLC ± 0.3		PRODUCT SPEC	HARD TRAY ASSY	
1 PLC ± 0.3		APPLICATION SPEC	FH 0.5 BTB CONNECTOR 220POS	
2 PLC ± 0.3		WEIGHT	SIZE	CAGE CODE
3 PLC ± 0.3		CUSTOMER DRAWING	A3	00779
4 PLC ± 0.3			DRAWING NO	C-1827253
ANGLES ± 3'		SCALE	4:1	SHEET
FINISH		RESTRICTED TO	2 OF 3	REV
SEE NOTE 1				A1

THIS DRAWING IS UNPUBLISHED. RELEASED FOR PUBLICATION ,2002.  
 © COPYRIGHT 2002 By - ALL RIGHTS RESERVED.

LOC	DIST	REVISIONS			
P	LTR	DESCRIPTION	DATE	DWN	APVD
J		SEE SHEET 1	-	-	-



REFERENCE P.C.BOARD LAYOUT OF CONNECTOR

NOTES

- △ MATERIAL ; HOUSING: HIGH TEMP THERMO PLASTIC UL94V-0  
CONTACT: COPPER ALLOY  
SOLDER PEG : COPPER ALLOY
- △ FINISH ; CONTACT : UNDER PL. Ni 0.0013mm MIN ALL OVER  
CONTACT AREA 0.0002mm MIN Au PL.  
SOLDERING AREA 0.00005mm MIN Au PL.  
SOLDER PEG: TIN PL. 0.0001mm MIN OVER  
UNDER PL. Ni OR COPPER 0.0013mm MIN ALL OVER
- △ THIS POSITION IS GROUND CIRCUIT.

59.5	220	3-1827253-6
G	POS.	PART NO.

THIS DRAWING IS A CONTROLLED DOCUMENT.		DWN	<b>STE</b> TE Connectivity			
DIMENSIONS: MM		CHK				
TOLERANCES UNLESS OTHERWISE SPECIFIED:		APVD	NAME			
0 PLC ± 0.3		PRODUCT SPEC	HARD TRAY ASSY			
1 PLC ± 0.3		APPLICATION SPEC	FH 0.5 BTB CONNECTOR 220POS			
2 PLC ± 0.3		WEIGHT	SIZE	CAGE CODE	DRAWING NO	RESTRICTED TO
3 PLC ± 0.3		CUSTOMER DRAWING	A3	00779	C-1827253	
4 PLC ± 0.3			SCALE	SHEET	REV	
ANGLES ± 3°			4:1	3 OF 3	A1	
FINISH						