

TPC-1070H

10.4" SVGA TFT LCD Celeron® M Touch Panel Computer



Features

- Intel® Celeron® M 1 GHz processor
- 10.4" SVGA TFT LCD
- Compact design with die-cast housing
- Fanless cooling system
- NEMA4/IP65 compliant front panel
- Supports Microsoft® Windows® XP/XPe/CE
- Downward I/O cabling
- Automatic data flow control RS-485
- Dual Fast Ethernet supported

Introduction

With a high quality TFT LCD display, TPC-1070H is designed with the Intel Celeron M 1 GHz processor as its core. The Intel Celeron M has low power consumption and 1 GHz operating frequency. This system is fanless although the kernel is powerful. In addition, spindle-free storage makes the TPC-1070H a durable and reliable platform. For applications where spindle-free storage is not critical, a fast-access HDD module can be used. The rich I/O portfolio meets diverse requests.

Specifications

General

- **BIOS** Award® 4 MB
- **Certifications** BSMI, CCC, CE, FCC, UL
- **Cooling System** Fanless design
- **Dimensions (W x H x D)** 286 x 226 x 58 mm (11.26" x 8.9" x 2.28")
- **Enclosure** Die-cast Aluminum alloy
- **Mounting** Desktop, Wall or Panel Mount
- **OS Support** Windows XP/XPe/CE*
- **Power Consumption** 41 W (typical)
- **Power Input** 18 ~ 32 V_{DC}
- **Watchdog Timer** 1 sec (system)
- **Weight (Net)** 3.5 kg (7.72 lbs)

System Hardware

- **CPU** Intel Celeron M 1 GHz non-cache
- **Chipset** Intel 852GM + ICH4
- **Memory** 512 MB onboard DDR SDRAM
- **LAN** 10/100Base-T x 2
- **Expansion Slots** PCI-104 x 1
- **Storage** CompactFlash® slot x 1
2.5" PATA HDD x 1 (optional)
- **I/O** RS-232 x 2 (COM1, 3)
RS-232/422/485 x 1 (COM4) with auto data flow control
USB 2.0 x 2
PS/2 Keyboard/Mouse x 1

LCD Display

- **Display Type** SVGA TFT LCD
- **Display Size** 10.4"
- **Max. Resolution** 800 x 600
- **Max. Colors** 260 K 64 K
- **Luminance cd/m²** 400
- **Viewing Angle (H/V°)** 140/110
- **Backlight Life** 50,000 hrs
- **Contrast Ratio** 500 : 1250 : 1

Touchscreen

- **Lifespan** 1 million touches at single point
- **Light Transmission** Above 75%
- **Resolution** Linearity
- **Type** 8-wire, analog resistive

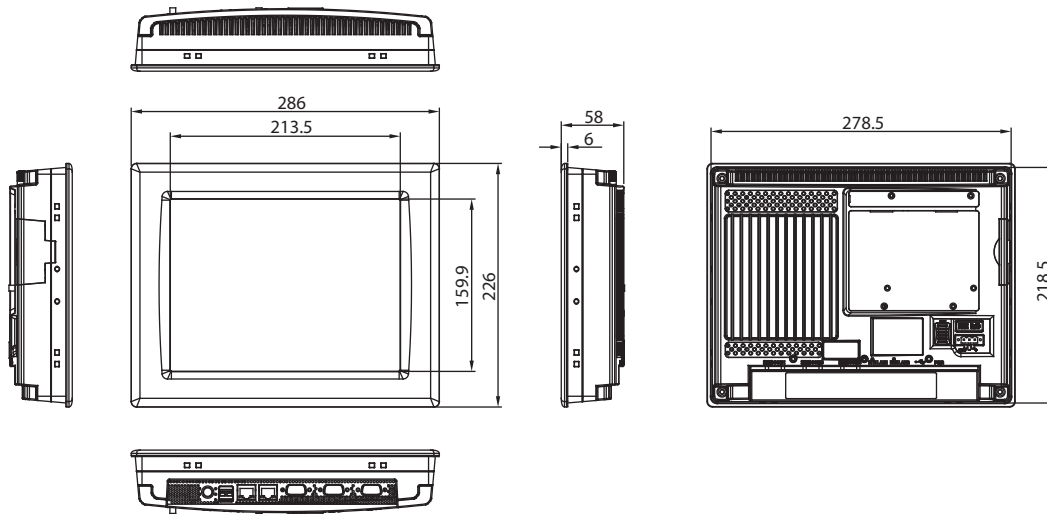
Environment

- **Humidity** 10 ~ 95% RH @ 40° C, non-condensing
- **Ingress Protection** Front panel: NEMA4, IP65
- **Operating Temperature** 0 ~ 50° C (32 ~ 122° F)
- **Storage Temperature** -20 ~ 60° C (-4 ~ 140° F)
- **Vibration Protection** With HDD: 1 Grms (5 ~ 500 Hz)
(Operating, random vibration)

Dimensions

TPC-1070H

Unit: mm

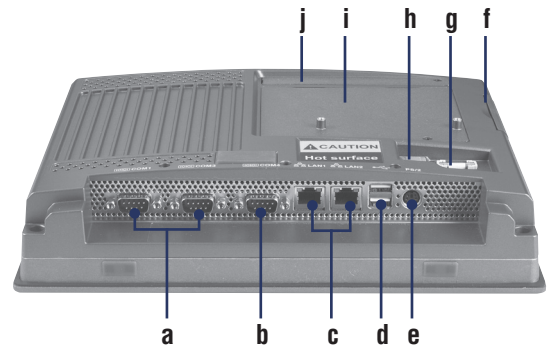


Panel Cut-out Dimensions: 279.5 x 219.5 mm

Ordering Information

- **TPC-1070H-C1E** 10.4" SVGA TPC, Celeron M 1 GHz, 512 MB
- **TPC-1070H-SMKE** TPC-1070H/870H Desktop Stand
- **TPC-1070H-WMKE** TPC-1070H/870H Wallmount Kit
- **TPC-1270H-EPKE** TPC Series PC/PCI-104 Extension Kit
- **PWR-247-AE** 24 V 50 W AC-DC Power Adapter

Rear View



- a. COM (RS-232)
- b. COM (RS-232/422/485)
- c. LAN (10/100/1000)
- d. USB 2.0
- e. PS/2
- f. CompactFlash
- h. Power Switch, Power Receptor
- i. HDD Cover
- g. Fuse (3.15A)
- j. PCI-104