



Pictures not shown to scale for clarity

Description

The Redington Model 711/731 provides a family of compact 7 figure, AC or DC Hour Meters. The totally sealed case protects against the environment and provides years of reliable service. Models are available in the standard industry housings, 2-Hole rectangular, flush-round and flush-rectangular. DC Models are Quartz controlled for high reliability and accuracy. A choice of two rectangular panel cutouts are offered 1.45" X 0.95" [36.8mm X 24.1mm] or 1.45" X 0.87" [36.8mm X 2.1mm]. The Round meter has a panel cutout of 1.99" [50.5mm].

Features

- Totally sealed case
- Various voltage inputs
- Quartz accuracy (DC)
- Large figures, 0.14" [3.6mm]
- CE compliant
- UL recognized/CSA certified for AC
- UL/cUL recognized for DC

Options

- Special voltages
- Terminations
- Panel Cutout

Specifications

Figures: 7 figures, 0.14" [3.6mm] 99999.99
Reset: Non-reset
Voltages: 24, 115 or 230VAC(± 10%), 50 or 60 Hz 10-28VDC
Power: 2 watts AC, 0.4 watts DC
Mounting: Clip or Mounting holes
Termination: 1/4" [6.3mm] spade terminals
Accuracy: 0.01% (DC) quartz
Case Material: Black Polymer
Agency Approvals: CE compliant
 UL recognized/CSA certified for AC
 UL/cUL recognized for DC
Weight: 1.5oz. [40g]

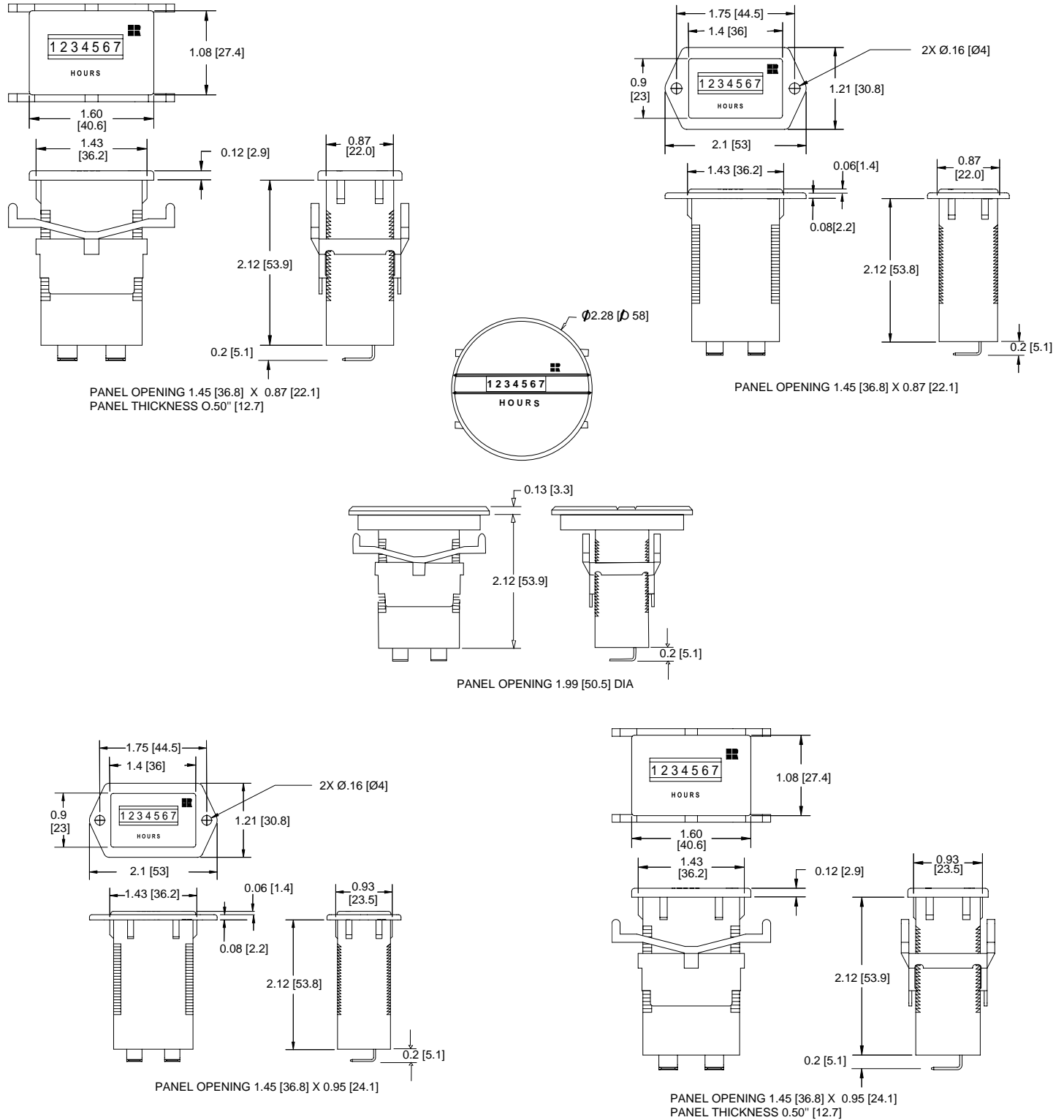
Environmental:
Housing: IP65
Operating Temperature: -40°F to +180°F [-40°C to +82°C]
Storage Temperature: -40°F to +185°F [-40°C to +85°C]
Humidity: 95% RH- SAE J 1378
Vibration: 20g's @ 10-80 Hz- SAE J 1378
Shock: 55g's @ 9-13 msec. - SAE J 1378
Transient Immunity: EMI: ± 400V@ 500Hz
Alternator Load Dump: 150V Inductive switching, reverse polarity and over voltage protection

Models

Models	Voltage AC	Mount	Cut-outs		
			1.45 X .87	1.45 X .95	1.99
711-0400	115VAC/60Hz	Flush Rect	X		
711-0401	115VAC/60Hz	Flush Rect		X	
711-0402	115VAC/60Hz	2-Hole	X		
711-0403	115VAC/60Hz	2-Hole		X	
711-0404	115VAC/60Hz	Round			X

Models	Voltage DC	Mount	Cut-outs		
			1.45 X .87	1.45 X .95	1.99
731-0400	10-28VDC	2-Hole	X		
731-0401	10-28VDC	2-Hole		X	
731-0402	10-28VDC	Flush Rect	X		
731-0403	10-28VDC	Flush Rect		X	
731-0404	10-28VDC	Round			X

Dimensions



Applications

Marine Applications



Construction Equipment



Golf Carts





Pictures not shown to scale for clarity

Description

The Redington Model 711/731 provides a family of compact 7 figure, AC or DC Hour Meters. Models are available in the standard industry housings, 2-Hole rectangular, flush-round and flush-rectangular. DC Models are quartz controlled for high reliability and accuracy. A choice of two rectangular panel cutouts are offered 1.45" X 0.95" [36.8mm X 24.1mm] or 1.45" X 0.87" [36.8mm X 2.1mm]. The Round meter has a panel cutout of 1.99" [50.5mm].

Features

- 7 Figure, 99999.99
- Various voltage inputs
- Quartz accuracy (DC)
- Large figures, 0.14" [3.6mm]
- CE compliant
- UL recognized/CSA certified for AC
- UL/cUL recognized for DC

Options

- Special voltages
- Terminations
- Panel Cutout

Specifications

Figures: 7 figures, 0.14" [3.6mm] 99999.99
Reset: Non-reset
Voltages: 24, 115 or 230VAC (± 10%), 50 or 60 Hz 10-28VDC
Power: 2 watts AC, 0.4 watts DC
Mounting: Clip or Mounting holes
Termination: 1/4" [6.3mm] spade terminals with screws (AC)
 1/4" [6.3mm] spade terminals (DC)
Accuracy: 0.01% (DC) quartz
Case Material: Black Polymer
Agency Approvals: CE compliant
 UL recognized/CSA certified for AC
 UL/cUL recognized for DC
Weight: 1.2oz. [35g]

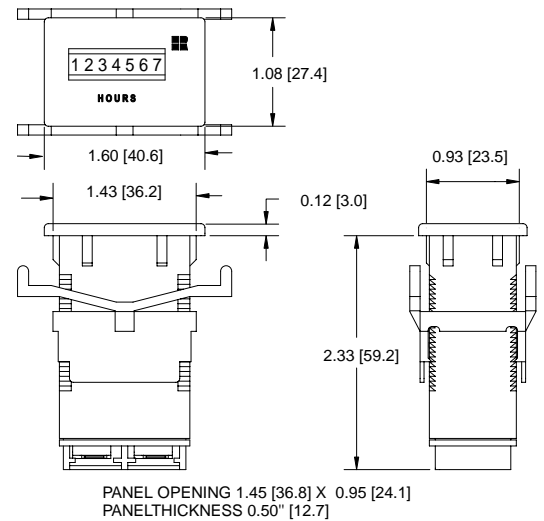
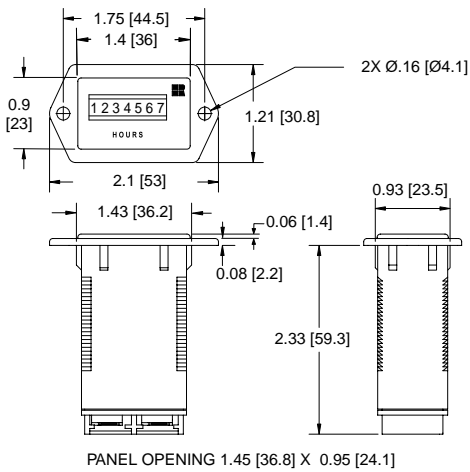
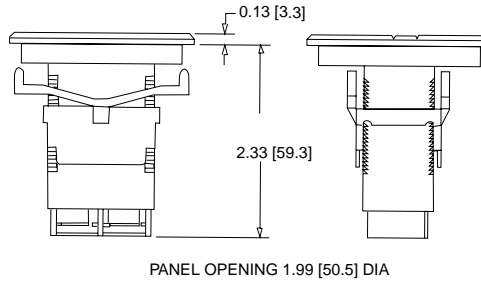
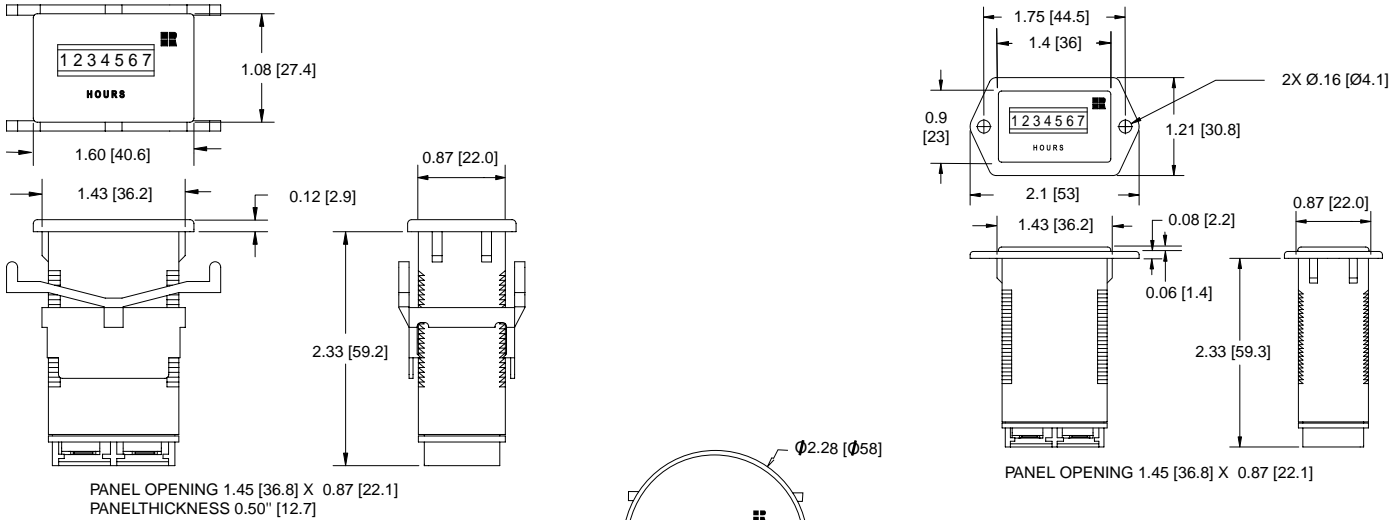
Environmental:
Front Panel: IP65
Operating Temperature: -40°F to +180°F [-40°C to +82°C]
Storage Temperature: -40°F to +185°F [-40°C to +85°C]
Humidity: 95% RH- SAE J 1378
Vibration: 20g's @ 10-80 Hz- SAE J 1378
Shock: 55g's @ 9-13 msec.- SAE J 1378
Transient Immunity: EMI: ± 400V@ 500Hz
Alternator Load Dump: 150V Inductive switching, reverse polarity and over voltage protection

Models

Models	Voltage AC	Mount	Cut-out		
			1.45 X .87	1.45 X .95	1.99
711-0013	115VAC/60Hz	Round			X
711-0014	230VAC/60Hz	Round			X
711-0015	24VAC/60Hz	Round			X
711-0113	115VAC/60Hz	Flush Rect	X		
711-0114	24VAC/60Hz	Flush Rect.	X		
711-0120	115VAC/60Hz	Flush Rect		X	
711-0123	230VAC/60Hz	Flush Rect.		X	
711-0124	24VAC/60Hz	Flush Rect.		X	
711-0130	115VAC/60Hz	2-Hole	X		
711-0131	230VAC/60Hz	2-Hole	X		
711-0132	24VAC/60Hz	2-Hole	X		
711-0133	115VAC/50Hz	2-Hole	X		
711-0134	230VAC/50Hz	2-Hole		X	
711-0138	230VAC/60Hz	Flush Rect.	X		
711-0215	115VAC/60Hz	2-Hole		X	
711-0216	230VAC/60Hz	2-Hole		X	
711-0217	24VAC/60Hz	2-Hole		X	

Models	Voltage DC	Mount	Cut-out		
			1.45 X .87	1.45 X .95	1.99
731-0006	10-28VDC	Round			X
731-0040	10-28VDC	2-Hole	X		
731-0041	10-28VDC	Flush Rect	X		
731-0042	10-28VDC	Flush Rect		X	
731-0051	10-28VDC	2-Hole		X	

Dimensions



Applications

Medical equipment



Test equipment



Office equipment




Description

These 7 figure, AC or DC hour meters with running indicators, offer crisp, distinctive styling for many panel applications. Available in square and round bezel, flush mount, or three-hole round panel mount. Each is light-weight, low power, and carry UL, CSA and CE approvals.

Features

- 7 Figure, 99999.99
- Various voltage inputs
- Distinctive styling

Options

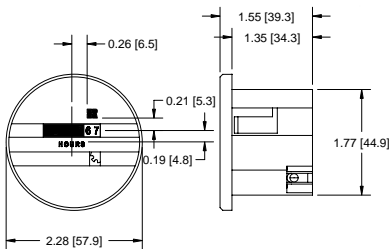
- Terminations
- Din Rail
- Voltages

Specifications

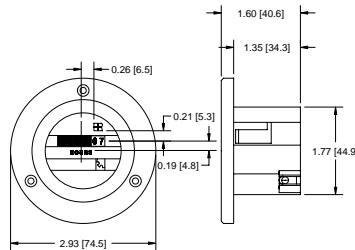
Figures: 7 figures, 0.14" high [3.6mm], 99,999.99 hours
Reset: Non-reset
Voltages: 24, 115, or 230VAC (+/-10%), 50 or 60Hz., 10-80 VDC
Power: 3 watts (AC), 1.2 watt maximum (DC)
Terminations: 1/4" [6.3mm] spade terminals, with removable screws, or 8" [203mm] wire leads

Mounting: Panel (mounting hardware included)
Temp. Range: -22°F to +158°F [-30°C to +70°C]
Approvals: UL Recognized and CSA Certified (AC only), CE Approved
Weight: 2 oz. [57g]

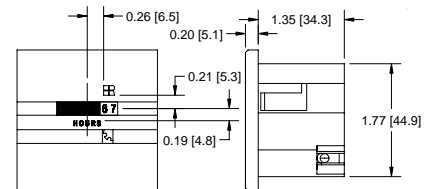
Models	Description	Models	Description
711-0150	115VAC/60Hz., 2.28" Dia., Flush mount, screw termination	711-0182	24VAC/60Hz., 1.89" Sq., Flush mount, screw termination
711-0152	230VAC/60Hz., 2.28" Dia., Flush mount, screw termination	711-0190	115VAC/60Hz., 2.05" Sq., Flush mount, screw termination
711-0160	115VAC/60Hz., 2.93" Dia., 3-hole round, screw termination	711-0191	230VAC/60Hz., 2.05" Sq., Flush mount, screw termination
711-0161	115VAC/50Hz., 2.93" Dia., 3-hole round, screw termination	711-0192	24VAC/60Hz., 2.05" Sq., Flush mount, screw termination
711-0162	230VAC/60Hz., 2.93" Dia., 3-hole round, screw termination	711-0193	115VAC/50Hz., 2.05" Sq., Flush mount, screw termination
711-0163	230VAC/50Hz., 2.93" Dia., 3-hole round, screw termination	711-0194	230VAC/50Hz., 2.05" Sq., Flush mount, screw termination
711-0164	24VAC/60Hz., 2.93" Dia., 3-hole round, screw termination	711-0195	24VAC/50Hz., 2.05" Sq., Flush mount, screw termination
711-0170	230VAC/60Hz., 2.93" Dia., 3-hole round, 8" wire leads	711-0200	115VAC/60Hz., 2.20" Sq., Flush mount, screw termination
711-0171	115VAC/60Hz., 2.93" Dia., 3-hole round, 8" wire leads	711-0201	115VAC/50Hz., 2.20" Sq., Flush mount, screw termination
711-0180	115VAC/60Hz., 1.89" Sq., Flush mount, screw termination	731-0046	10-80VDC, 2.93" Dia., 3-hole round, screw termination

Dimensions
2.28" Dia. Flush


Panel cutout: 1.99" [50] Dia. or 1.81" [46] Sq.

3 - Hole Round


Panel cutout: 1.99" [50] Dia. or 1.81" [46] Sq.
 Screws provided: 4-40 x 5/8" [16]
 Bolt hole circle: 2.44" [62]

1.89", 2.05" or 2.20" Sq. Flush


Panel cutout: 1.99" [50] Dia. or 1.81" [46] Sq.
 (for 1.89" Sq. use 1.81" [46] Sq. cutout only)

Applications

Medical equipment



Test equipment



Office equipment





Description

A rectangular style AC hourmeter designed to complement existing meters in control panels. Available in 6 figure reset or 7 figure non-reset. The non-reset model incorporates a retaining clip to lock into panel, while the reset version has a metal bracket and screw.

Features

- Large figures
- 6 or 7 digits
- UL Recognized, CSA Certified, CE Compliant

Options

- Reset or non-reset

Specifications

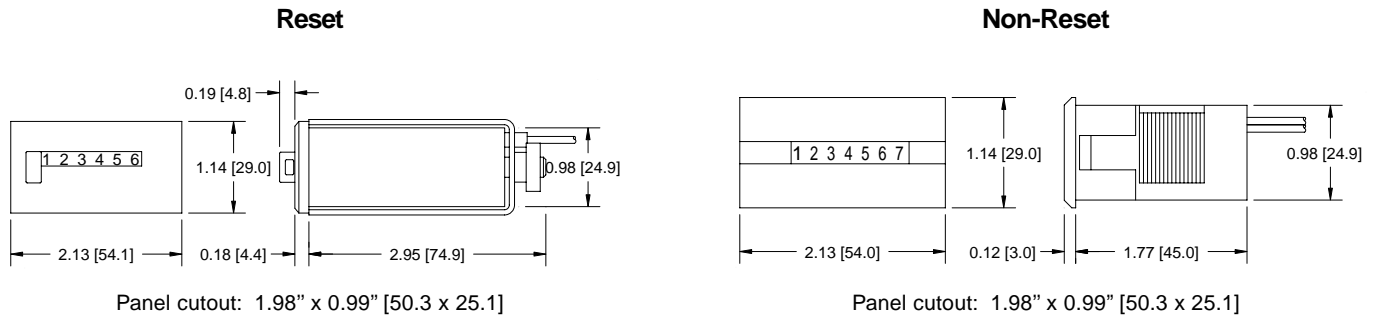
Figures: 6 figure (reset) or 7 figure (non-reset), 0.19" [5mm] high
 9,999.99 Hours. (reset version)
 99,999.99 Hours. (non-reset models)
Reset: Push-button, or non-reset
Voltages: 115VAC (+/- 10%), 50 or 60 Hz.
Power: 2 watts (nominal)

Mounting: Panel (mounting hardware included)
 19" [483mm] wire leads
Termination: 19" [483mm] wire leads
Temp. Range: -4°F to +158°F [-20°C to +70°C]
Approvals: UL Recognized, CSA Certified, CE Compliant
Weight: 2 oz. [57g]
Options: Voltages

Models Description

- 711-0019** 115VAC/60Hz, reset, 6 figure, 9,999.99 hrs., 19" [483mm] wire leads
- 711-0020** 115VAC/60Hz, non-reset, 7 figure, 99,999.99 hrs., 19" [483mm] wire leads
- 711-0041** 115VAC/50Hz, non-reset, 7 figure, 99,999.99 hrs., 19" [483mm] wire leads

Dimensions



Applications

Medical equipment



Test equipment



Office equipment

