

SoftBaugh

5400 Laurel Springs Parkway
Suite 1001
Suwanee, Georgia 30024 USA
www.softbaugh.com
800 794-5756
770 886-1882
770 886-1777 (fax)

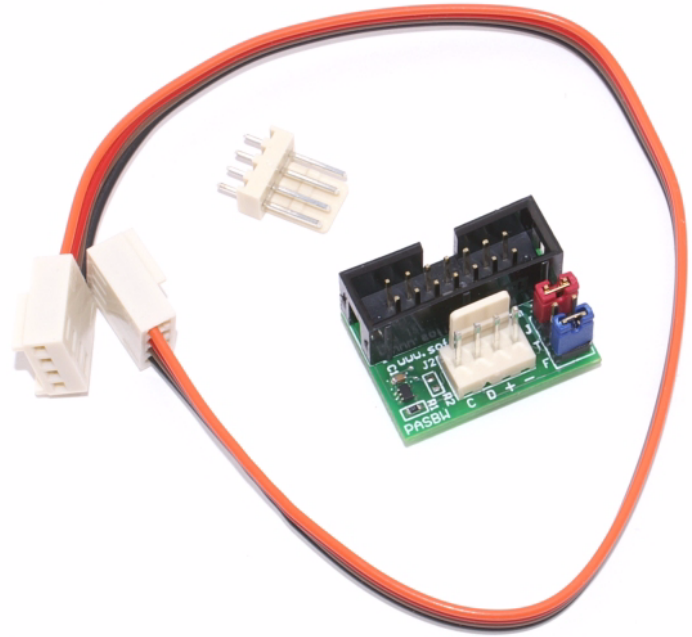
PASBW

Adapt MSP430 JTAG Programmers to SpyBiWire for MSP430F20xx

Background

The new MSP430F20xx devices support programming over only two signals, SBWTDIO and SBWTCK. Existing USB programmers, such as our USBP, or our REP430 replicator can perform full JTAG functionality over SpyBiWire, but only if the original 14-pin signals are blended properly.

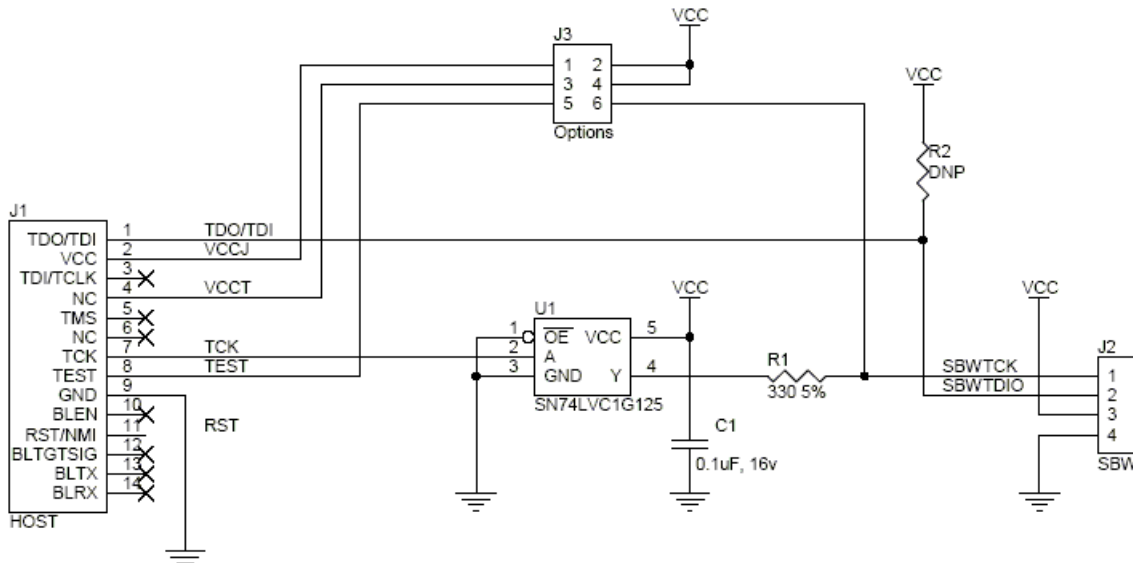
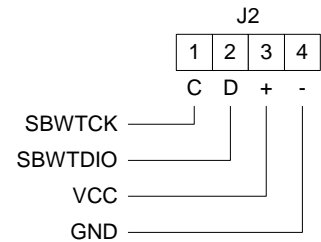
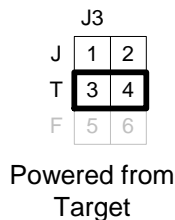
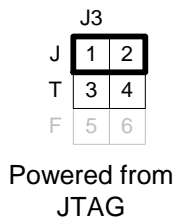
Our PASBW performs the requisite signal blending, and allows options for target power, pod power, and selective disabling of fuse blow voltage.



Includes PASBW pod, 4-wire interface cable, and 4-pin header.

Retail Pricing as of May, 2006

Quantity	PASBW
1-9	\$9.00
10+	\$8.10



See <http://www.softbaugh.com/ProductPage.cfm?strPartNo=PASBW> for Frequently Asked Questions and more details.