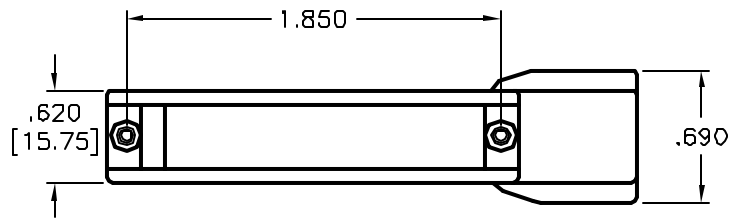
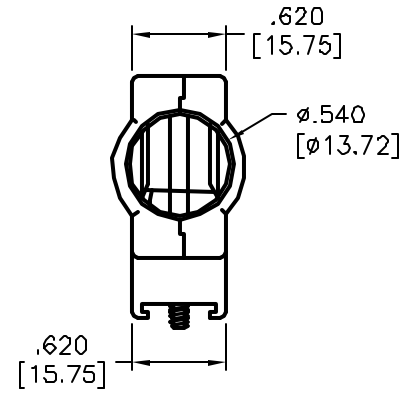
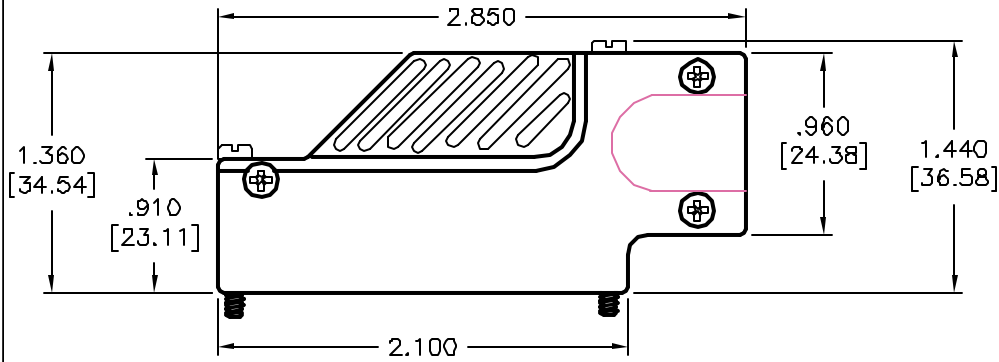
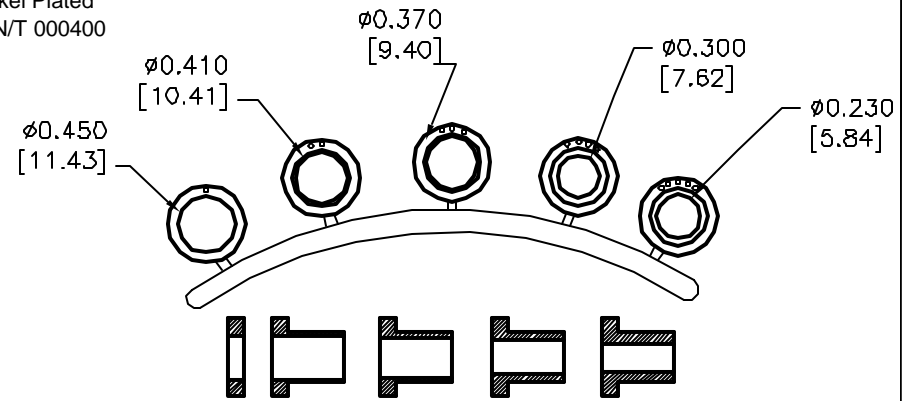


REVISIONS

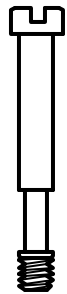
DCP #	REV	DESCRIPTION	DRAWN	DATE	CHECKD	DATE	APPRVD	DATE
1972	A	RELEASED	DCM	10/23/08	JN	05/22/08	JN	05/22/08



Connector Cover
 - Material: Zinc Alloy, Nickel Plated
 Per NTC Specification N/T 000400



Compression Inserts
 - Material: Thermoplastic, Black
 - Durometer: 75±5 Type A per ASTM D2240



#4-40 x 1.55", Slotted Captive Screw, Low Carbon Steel, Nickel Plated (1 Ea.)



#4-40 x 1.10", Slotted Captive Screw, Low Carbon Steel, Nickel Plated (1 Ea.)



#4-40 x 0.5" Phillips Head Machine Screw, Low Carbon Steel Bright Zinc Plated (Hexavalent Chromium Free) (3 Ea.)

DISCLAIMER:
 ALL STATEMENTS AND TECHNICAL INFORMATION CONTAINED HEREIN ARE BASED UPON INFORMATION AND/OR TESTS WE BELIEVE TO BE ACCURATE AND RELIABLE. SINCE CONDITIONS OF USE ARE BEYOND OUR CONTROL, THE USER SHALL DETERMINE THE SUITABILITY OF THE PRODUCT FOR THE INTENDED USE AND ASSUME ALL RISK AND LIABILITY WHATSOEVER IN CONNECTION THEREWITH.

TOLERANCES:
 UNLESS OTHERWISE SPECIFIED, DIMENSIONS ARE FOR REFERENCE PURPOSES ONLY.

DRAWN BY:	DATE:
Dan McVicker	10/23/06
CHECKED BY:	DATE:
Jason Nash	05/22/08
APPROVED BY:	DATE:
Jason Nash	05/22/08

DRAWING TITLE: D-Sub Cover, 25 Pin, 90 Degree Ultra Low Profile			
SIZE	DWG. NO.	ELECTRONIC FILE	REV
A	SPC20350	84K8883.dwg	A
SCALE: NTS	U.O.M.: INCHES [mm]	SHEET: 1 OF 1	