
AVR32919: AT32UC3C-EK User Guide

Features

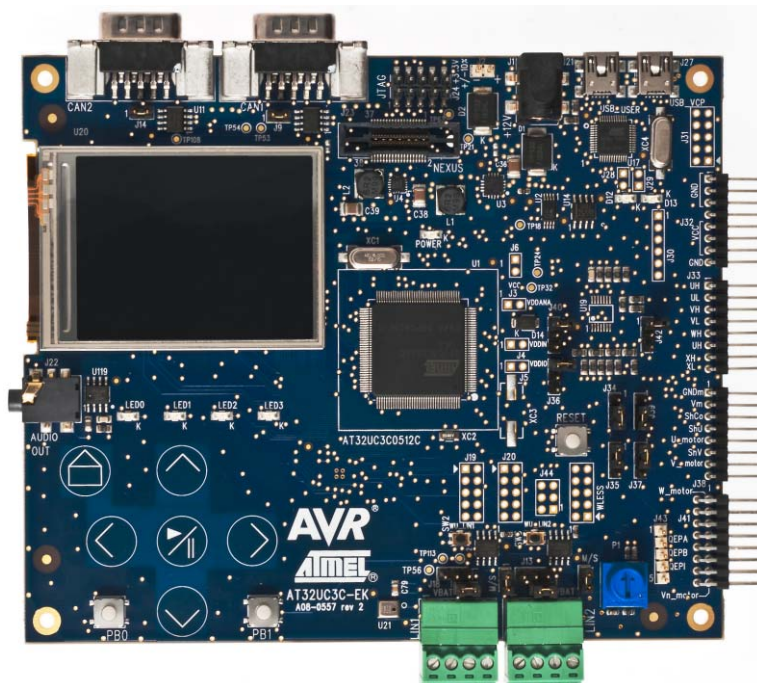
- Kit Features Overview
- Kit Content
- Hardware Description
- Schematic

1 Introduction

The Atmel® AT32UC3C-EK is an evaluation kit and development system for the Atmel AVR® UC3 AT32UC3C0512C microcontroller.

As a development system, the board notably provides on-board memory, a USB communication interface, CAN and LIN network interfaces and the JTAG programming and debugging interface. The AT32UC3C-EK also features expansion headers; one of these is the wireless expansion header (named WLESS header on the PCB).

Figure 1-1. The Atmel AT32UC3C-EK Evaluation Kit



8-bit **AVR**[®]
Microcontrollers

Application Note

Rev. 32151A-AVR-09/10





2 Abbreviations

ASF: AVR Software Framework

CAN: Controlled Area Network

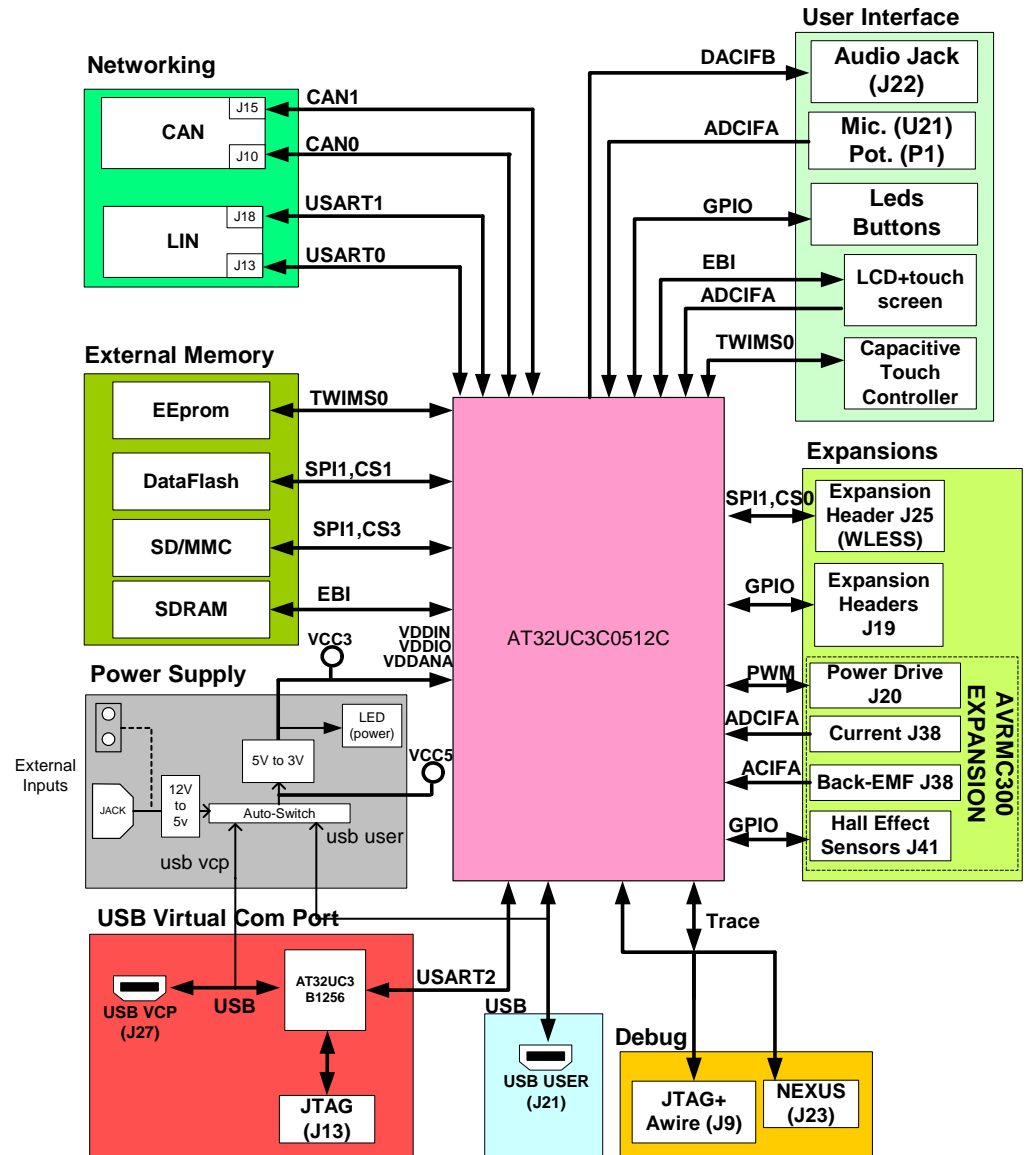
LIN: Local Interconnect Network

HMI: Human Machine Interface

3 Kit Overview

This section lists the features provided by the Atmel AT32UC3C-EK kit and describes the content of the kit.

Figure 3-1. Atmel AT32UC3C-EK Block Diagram





3.1 Features

This section lists the main components and interfaces of the Atmel AT32UC3C-EK kit:

- Main MCU: 32-bit Atmel AVR UC3 AT32UC3C0512C (TQFP144)
 - 512 Kbytes internal Flash, 256 Kbytes internal RAM
 - Up to 66 MHz operations
 - Controller Area Network Interfaces
 - Peripheral Event System
 - FlashVault™ allows pre-programmed Secure library support for end-user applications
 - DSP Floating Point Instructions.
- Powered through USB connector or through external power supply (header *J1* or *J2*).
- 16 MHz oscillator for the main clock, 1x RTC 32 kHz crystal and 1x free footprint for additional oscillator.
- JTAG and NEXUS Connectors for programming and debugging on the Atmel AT32UC3C0512C MCU.
- 4x LEDs.
- 2x pushbuttons.
- 1x reset pushbutton.
- 1x QTouch® (Atmel AT42QT1060) with 6x buttons connected through the TWI.
- 1x QVGA LCD display with resistive touch screen.
- 1x jack connector to output audio samples.
- 1x microphone input to record audio signal.
- 2x CAN Interfaces and 2x LIN Interfaces.
- 1x serial DataFlash 64 Mbits.
- 1x serial EEPROM 128 bits.
- 1x SD/MMC slot connector.
- 1x SDRAM 256 Mbits.
- Wireless Header (WLESS) for the wireless expansion header or for any SPI-based or TWI-based or USART-based external communication.
- Atmel AVRMC300 expansion headers to be able to manage motor control applications.
- *J27*: USB (2.0 mini A-B receptacle) connected to the 32-bit Atmel AVR UC3 AT32UC3B1256
 - AT32UC3C0512C and Atmel AT32UC3B1256 are connected through 2 pins.
 - The pre-loaded firmware on the AT32UC3B1256 acts as a UART-USB CDC Virtual Com Port gateway.
 - the *J28* jumper can be used to set the AT32UC3B1256 in bootloader mode at power-up.
 - JTAG connector for programming & debugging the AT32UC3B1256.
- *J21*: USB (2.0 mini A-B receptacle) connected to the 32-bit AVR UC3 AT32UC3C0512C to demonstrate USB feature of the product.

3.2 Kit Content

The Atmel AT32UC3C-EK toolbox contains the following items:

- 1x Atmel AVR Technical Library DVD,
- 1x Atmel AT32UC3C-EK Customer letter,
- 1x Atmel AT32UC3C-EK Getting Started Guide,
- 1x Atmel AT32UC3C-EK evaluation kit,
- 2x mini-B plug to std-A plug ~1.5m USB cable,
- 5x 2-pins cable,
- 1x 10-pins flat cable.

Figure 3-2. Unpacked Atmel AT32UC3C-EK Toolbox



3.3 Power-up and getting started

Refer to the “AT32UC3C-EK Getting Started Document” included in the kit.

3.4 References

3.4.1 The AVR UC3 C0 Series datasheet

http://www.atmel.com/dyn/products/devices.asp?family_id=607

3.4.2 The AT32UC3C-EK Schematics and Assembly bottom/ top view

<http://www.atmel.com/uc3c-ek>

3.4.3 The AT32UC3C-EK Getting Started

<http://www.atmel.com/uc3c-ek>





3.4.4 The AVRMC300 Getting Started

http://www.atmel.com/dyn/products/tools_card.asp?tool_id=4374

3.4.5 The 32-bit AVR UC3 C Series Schematic Checklist

http://www.atmel.com/dyn/products/app_notes.asp?family_id=607

3.4.6 The AVR Software Framework

<http://asf.atmel.no/readme.html>

All pre-loaded firmware source codes are available in the AVR Software Framework version 2.0 or higher.

3.4.7 Debuggers

http://www.atmel.com/dyn/products/tools.asp?family_id=607#1910

4 Hardware Description

This section presents the hardware blocks of the Atmel AT32UC3C-EK hardware design. Each hardware block is described with:

- an overview of the hardware block,
- a location in the schematics document,
- AT32UC3C-specific information (when relevant),
- all possible hardware configurations of the block and available test points.

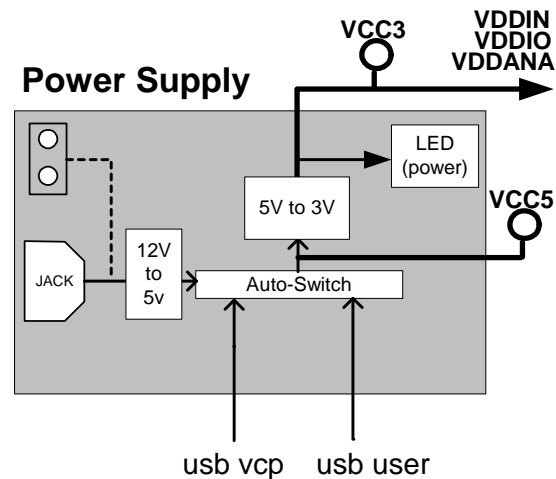
In each block description, the components reference and schematic can be found in The AT32UC3C-EK Schematics and Assembly bottom/ top view

4.1 Power Supply

The power supply block of the AT32UC3C-EK is in charge of distributing power to all components of the board.

4.1.1 Overview

Figure 4-1. AT32UC3C-EK Power Supply Logical View



The AT32UC3C-EK can be powered from 4 different sources: 2x USB mini AB plug (5V input): labeled “USB USER” (J21) and “USB VCP” (J27) and 2x external power supply J1 jack connector or the J2 2-pins headers (DC 12V ±10%).

The AT32UC3C-EK will automatically switch to the more accurate power source if it senses voltage on it (external power supply is defined as the more accurate power source, then VBUS from “USB VCP” and the less accurate power source is VBUS from “USB USER”).

These inputs go through an external 3.3V switch mode regulator which delivers supplies to the rest of the board with a 3.3V voltage.

The power indicator LED green D3, labeled “POWER”, indicates if the 3.3V from the external regulator is present.





Refer to section 4.1.3.1 for a description of the possible hardware configurations of the Power Supply block.

Figure 4-2. Atmel AT32UC3C-EK Top View Power Supply Location

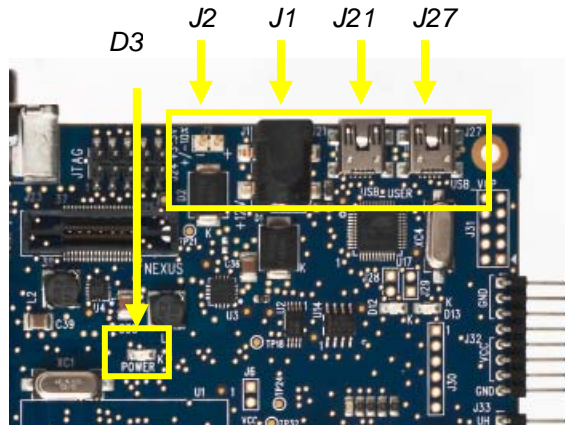
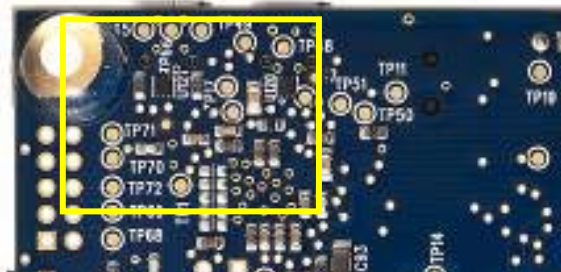


Figure 4-3. AT32UC3C-EK Bottom View Power Supply Location



4.1.2 UC3C-Specific Information

4.1.2.1 AT32UC3C0512C Power Supply Mode

Among the two power supply configurations supported by the Atmel AT32UC3C0512C, this board implements the **3.3V Single Supply Mode** configuration. Refer to the Figure “3.3V Single Supply mode” of the Power Considerations section in the [AVR UC3 C0 Series datasheet](#) for schematic diagram of this mode.

4.1.2.2 AT32UC3C0512C pinout for the Power Supply Block

Table 4-1. UC3C pinout for the Power Supply block

QFP144 pin	GPIO	GPIO alternate function	Feature
53	N.A.	N.A.	VDDIN5
54	N.A.	N.A.	VDDIN33
52	N.A.	N.A.	GNDPLL
55	N.A.	N.A.	VDDCORE
56	N.A.	N.A.	GNDCORE
37	N.A.	N.A.	GNDANA
34,35	N.A.	N.A.	ADCREFP/N
38	N.A.	N.A.	VDDANA
5,76,104,119	N.A.	N.A.	GNDVDDIO
5,75,103,118	N.A.	N.A.	VDDIO

4.1.3 Configurations and Test Points

4.1.3.1 Hardware Configurations

The default hardware configuration of the Power Supply block implies that:

- The power supply source is one of the 2x USB plug –“USB USER” and “USB VCP”- or the jack header (ref. Figure 4-1 and Figure 3-1),
- The 2-pins header (J2) can also be used as a power supply source (not available by default).

Mount the 0 Ohm *R73* resistor (solder strap) and remove the 0 Ohm *R71* resistor, to enable the 2-pins header external entry (J2).





4.1.3.2 Test Points

A few test points covering the Power Supply block have been placed on the Atmel AT32UC3C-EK for the verification of important signals.

Table 4-2. Power Supply block Test Points

Designation	Feature
TP12-14	Input voltage level after <i>D1</i> when the <i>J1</i> external Power Supply is used
TP20-21	Input voltage level after <i>D2</i> when the <i>J2</i> external Power Supply is used
TP22-23	Input voltage for 3.3V regulator. 5V nominal
TP24-25	Input voltage for all board components. 3.3V nominal
TP28-31	Input voltage for all board components except Atmel AT32UC3C0512C and Atmel AT42QT1080. Should be 3.3V nominal
TP27-30	Input voltage for the AT32UC3C0512C VDDIO pin. Should be 3.3V nominal
TP26-29	Input voltage for the AT32UC3C0512C VDDIN pin. Should be 3.3V nominal
TP32-33	Input voltage for the AT32UC3C0512C VDDANA pin. Should be 3.3V nominal
TP13	GND

4.1.4 Power Consumption Measurement

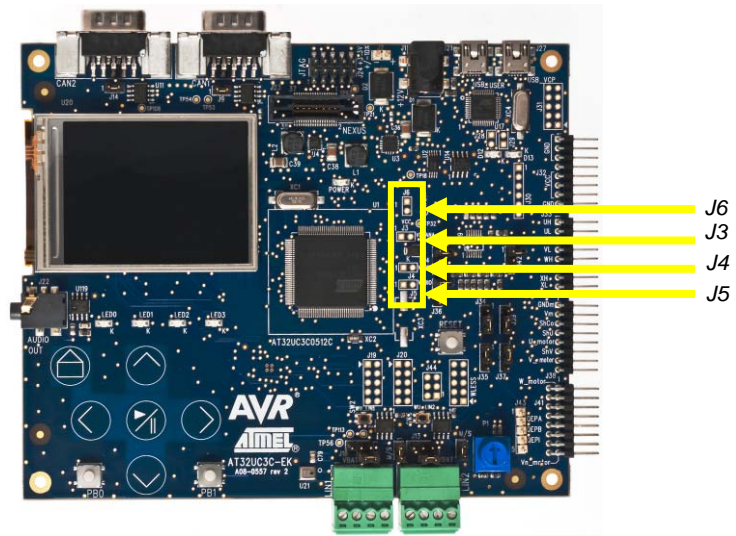
To measure the power consumption of the overall board not including the AT32UC3C0512C, remove the 0 Ohm R24, 25, 26, 27 resistors and insert the amp meter in the 2-pins header J6 (not mounted by default).

To measure the power consumption on the AT32UC3C0512C VDDIO, remove the 0 Ohm R26 resistor and insert the amp meter in the 2-pins header J5 (not mounted by default).

To measure the power consumption on the AT32UC3C0512C VDDIN, remove the 0 Ohm R25 resistor and insert the amp meter in the 2-pins header J4 (not mounted by default).

To measure the power consumption on the AT32UC3C0512C VDDANA, remove the 0 Ohm R24 resistor and insert the amp meter in the 2-pins header J3 (not mounted by default).

Figure 4-4. Atmel AT32UC3C-EK Power Consumption Measurement Headers Location

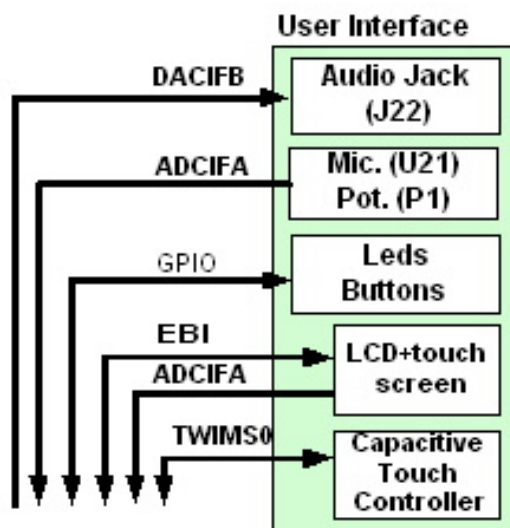


4.2 User Interface

The main User Interface block of the AT32UC3C-EK features all components providing a HMI (visual (output) or tactile (input)) to the user.

4.2.1 Overview

Figure 4-5. Atmel AT32UC3C-EK User Interface Logical View



The main User Interface offered by the kit is the touch user interface consisting of the:

- 6x button sensors interfaced through the TWI interface of the Atmel AT32UC3C0512C and a QVGA LCD display interfaced through the EBI interface of the AT32UC3C0512C with touch screen interfaced through the ADCIFA interface of the AT32UC3C0512C.
- 4x general purpose LEDs (labeled LED0, LED1, LED2, and LED3) connected to the AT32UC3C0512C.
- The 2x push-button labeled PB0 and PB1 used as general purpose push-button.
- The push-buttons labeled RST used to generate an external reset to the AT32UC3C0512C.
- An audio jack header is connected to one channel of the DACIFB IP of the AT32UC3C0512C.
- A microphone and a potentiometer each connected to one channel of the ADCIFA interface of the AT32UC3C0512C.

Note that there are other user interface components in the kit, these are related to:

- the USB Interface is presented in section 4.8 of this document,
- the Virtual Com Port Interface is presented in section 4.7 of this document.

Figure 4-6. Atmel AT32UC3C-EK Top View User Interface Location

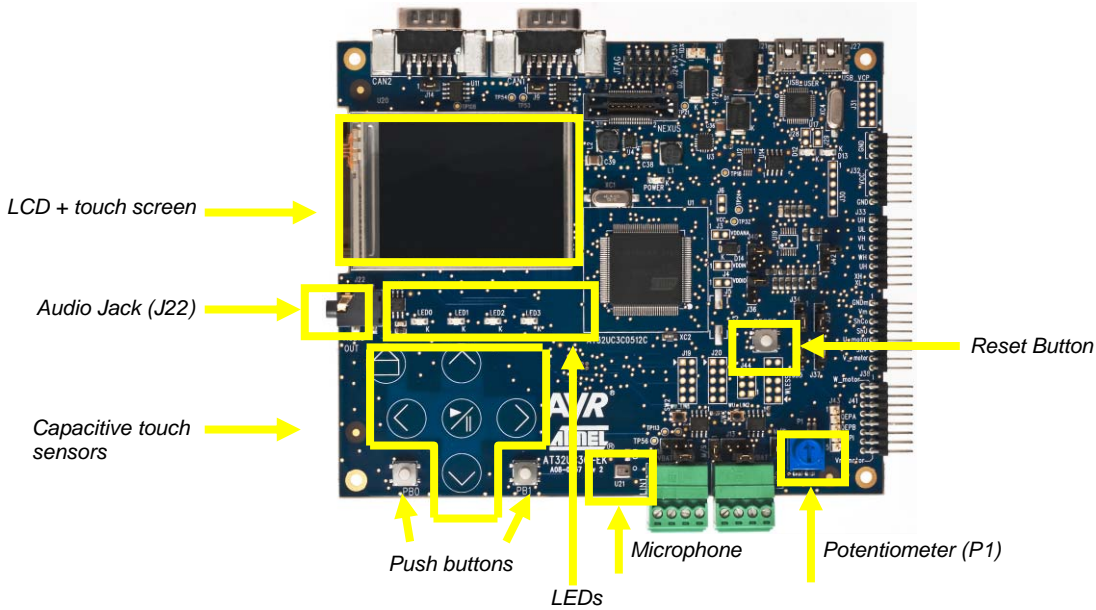
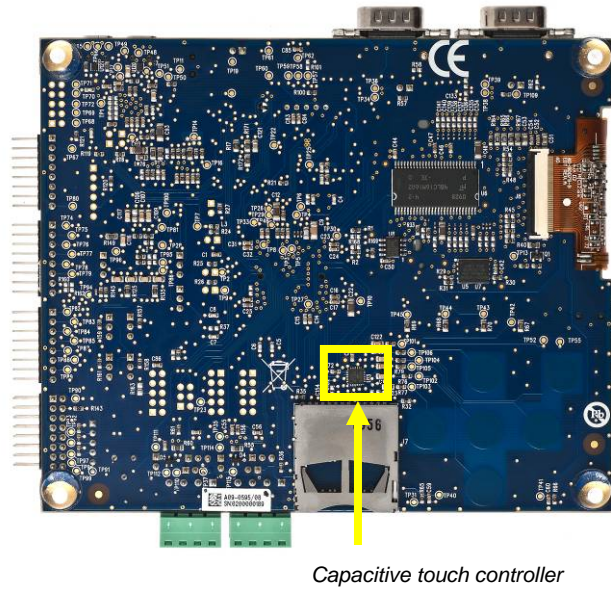


Figure 4-7. AT32UC3C-EK Bottom View User Interface Location



4.2.2 UC3C-Specific Information

4.2.2.1 AT32UC3C0512C pinout for the User Interface block

Table 4-3. UC3C pinout for the touch sensors interface

QFP144 pin	GPIO	GPIO alternate function	Feature
73	PC02	TWIMS0_TWD	TWI Data
74	PC03	TWIMS0_TWCK	TWI Clock





Table 4-4. UC3C pinout for the LEDs and push-buttons interfaces

QFP144 pin	GPIO	GPIO alternate function	Feature
25	PA8	GPIO[8]	LED0
132	PD23	GPIO[119]	LED1
86	PC13	GPIO[77] or PWMH[2]	LED2
131	PD22	GPIO[118] or TC0-A2	LED3
31	PA14	GPIO[14]	PB0 push-button
48	PA29	GPIO[29] or EXTINT[0]	PB1 push-button
	N.A.	N.A.	RST push-button, connected to the RESET_N pin

Table 4-5. UC3C pinout for the audio jack, microphone and potentiometer

QFP144 pin	GPIO	GPIO alternate function	Feature
44	PA25	ADCIFA-ADCIN14	Microphone Input
32	PA15	DACIFB-DAC1B	Jack Audio
26	PA9	ADCIFA-ADCIN5	Potentiometer

Table 4-6. UC3C pinout for the QVGA LCD Display

QFP144 pin	GPIO	GPIO alternate function	Feature
22	PA5	ADCIFA-ADCIN1	TFT YU Line Measurement
30	PA13	ADCIFA-ADCIN15	TFT YD Line Measurement
43	PA24	ADCIFA-ADCIN13	TFT XR Line Measurement
21	PA4	ADCIFA-ADCIN0	TFT XL Line Measurement
58	PB19	SPI1-MOSI	TFT Interface through the SPI is not implemented by default. See section 4.1.3.1
59	PB20	SPI1-MISO	TFT Interface through the SPI is not implemented by default. See section 4.1.3.1
60	PB21	SPI1-SCKI	TFT Interface through the SPI is not implemented by default. See section 4.1.3.1
92-106 107-109	PC19-31 PD0-2	EBI-D0 – EBI-D12 EBI-D13 – EBI-D15	TFT Data Bus
128	PD19	EBI-A15	TFT TE Signal
134	PD25	EBI-NWE0	TFT Write Signal
135	PD26	EBI-NRD	TFT Read Signal
125	PD16	EBI-16	TFT Reset Signal
137	PD28	GPIO[124] or TC0-B0	TFT Backlight Signal

4.2.3 Configuration & Test Points

4.2.3.1 Hardware Configuration

The default hardware configuration of the User Interface block connects the QVGA LCD Display is connected through parallel interface (with EBI). To switch to the serial interface (with SPI):

- Remove the 0 Ohm R44 and R52 resistors.
- Mount the 0 Ohm R48 and R54 resistors.

4.2.3.2 Test Points

A few test points covering the User Interface block have been placed on the Atmel AT32UC3C-EK for the verification of important signals.

Table 4-6. User Interface block Test Points

Designation	Feature
TP1	Input voltage on the AT32UC3C0512C RESET_N pin depending on the state of the RST push-button
TP101-106	Input Capacitive Touch Buttons CS1-CS6
TP41	Input voltage on the AT32UC3C0512C PB0 pin depending on the state of the PB0 push-button
TP40	Input voltage on the AT32UC3C0512C PB1 pin depending on the state of the PB1 push-button
TP42	Voltage level on LED0
TP43	Voltage level on LED1
TP44	Voltage level on LED2
TP45	Voltage level on LED3

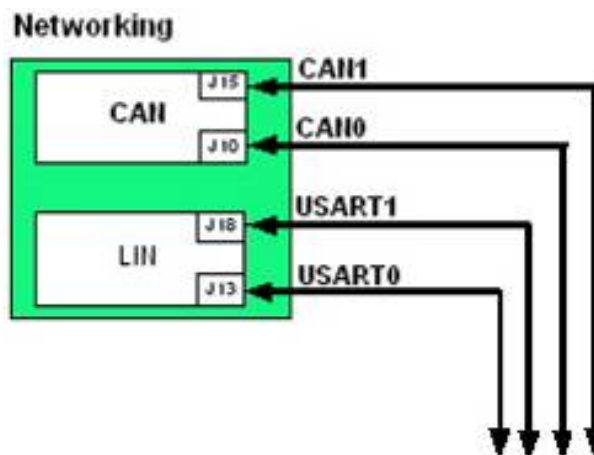


4.3 Networking

The networking block of the AT32UC3C-EK covers all components providing CAN and LIN bus interfaces through DB9 connectors and 3-pins headers.

4.3.1 Overview

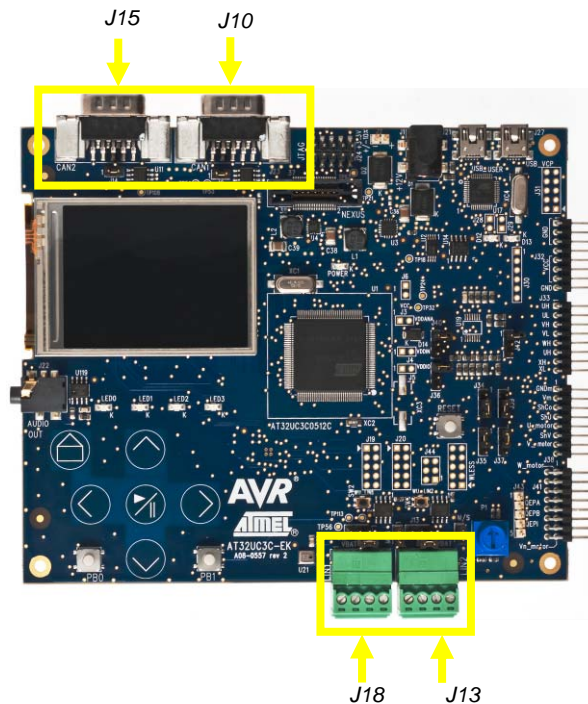
Figure 4-8. Atmel AT32UC3C-EK Networking Logical View



The networking block supports both CAN and LIN interface:

- The CAN transceivers are embedded on the UC3C-EK (U9 and U11) and termination resistors can be used as bus configuration through 2-pin headers (J9 and J14). See 4.1.3.1 section. The physical connections of CAN bus are accessible through DB9 connectors (J10 and J15).
- The LIN transceivers are embedded on the UC3C-EK (U10 and U12). The master/slave configurations are accessible through 2-pin headers (J12 and J17). The board supports also the capability to be powered-up by LIN bus through 2 pin headers (J11 and J16). See 4.1.3.1 section. The physical connections of LIN bus are accessible through 3-pins headers (J13 and J18).

Figure 4-9. AT32UC3C-EK Top View Networking Location



4.3.2 UC3C-Specific Information

4.3.2.1 AT32UC3C0512C pinout for the User Interface block

Table 4-7. UC3C pinout for the CAN interface

QFP144 pin	GPIO	GPIO alternate function	Feature
36	PB04	RX CAN0	RX CAN
37	PB05	TX CAN0	TX CAN
84	PC11	RX CAN1	RX CAN
85	PC12	TX CAN1	TX CAN

Table 4-8. UC3C pinout for the LIN interfaces

QFP144 pin	GPIO	GPIO alternate function	Feature
19	PB16	RX LIN0	RX LIN
20	PB17	TX LIN0	TX LIN
88	PC15	RX LIN1	RX LIN
89	PC16	TX LIN1	TX LIN

4.3.3 Configuration

4.3.3.1 Hardware Configuration

- The terminal resistors are mounted by default. Remove jumpers on the 2-pins headers (J9 or J14) to suppress this termination.
- The default hardware configuration of the LIN block implies that 2 nodes are in master configuration. Only remove jumpers on the 2-pins headers (J12 or J17) to switch the node in slave configuration. Moreover, the board is by default powered





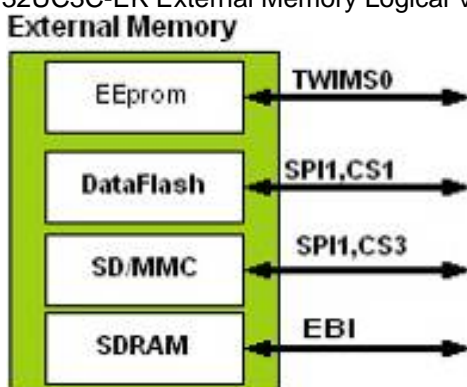
by the LIN bus. To suppress this feature, remove jumpers on the 2-pins headers (J11 or J16).

4.4 External Memory

The External Memory on the Atmel AT32UC3C-EK provides extra memory to the Atmel AT32UC3C0512C.

4.4.1 Overview

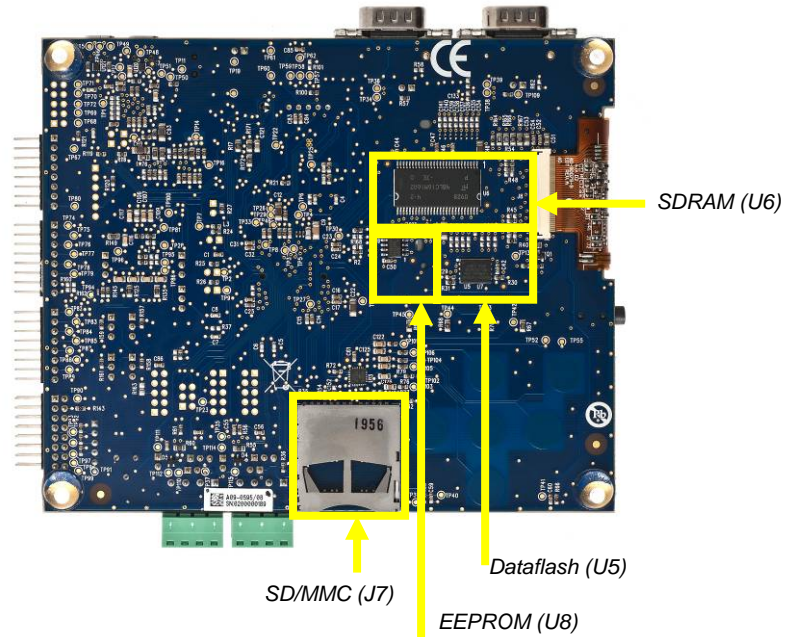
Figure 4-10. Atmel AT32UC3C-EK External Memory Logical View



The AT32UC3C-EK implements:

- a 128-bits Atmel EEPROM device (AT24C128) connected to the TWIM0 interface of the Atmel AT32UC3C0512C and referenced as U8,
- a 64 Mbit Atmel Dataflash device (AT45DB642D-CNU) connected to the SPI1 interface (chip select 1) of the AT32UC3C0512C and referenced as U7,
- a SD/MMC slot connected to the SPI1 interface (chip select 3) of the AT32UC3C0512C and referenced as J7,
- a 256 Mbit SDRAM (MT48LC16M16A2) connected to the EBI interface of the AT32UC3C0512C and referenced as U6.

Figure 4-11. AT32UC3C-EK Bottom View External Memory Location



4.4.2 UC3C-Specific Information

4.4.2.1 AT32UC3C0512 pinout for the Atmel EEPROM

Table 4-9. UC3C pinout for the External Memory

QFP144 pin	GPIO	GPIO Function	Feature
73	PC02	TWIMS0_TWD	TWI Data
74	PC03	TWIMS0_TWCK	TWI Clock

4.4.2.2 AT32UC3C0512 pinout for the Atmel DataFlash

Table 4-10. UC3C pinout for the External Memory

QFP144 pin	GPIO	GPIO alternate function	Feature
58	PB19	SPI1.MISO	Dataflash SO
59	PB20	SPI1.MOSI	Dataflash SI
60	PB21	SPI1.SCK	Dataflash SCK
63	PB24	SPI1.NPCS1	Dataflash #CS
142	N.A.	N.A. RESET_N pin	Dataflash #RESET





4.4.2.3 AT32UC3C0512 pinout for the SD/MMC Slot

Table 4-11. UC3C pinout for the External Memory

QFP144 pin	GPIO	GPIO alternate function	Feature
58	PB19	SPI1.MISO	SD SO
59	PB20	SPI1.MOSI	SD SI
60	PB21	SPI1.SCK	SD SCK
61	PB22	SPI1.NPCS3	SD #CS
139	PD30	GPIO[28]	SD Write Protect
47	PA28	GPIO[126]	SD Card Protect

4.4.2.4 AT32UC3C0512 pinout for the SDRAM

Table 4-12. UC3C pinout for the External Memory

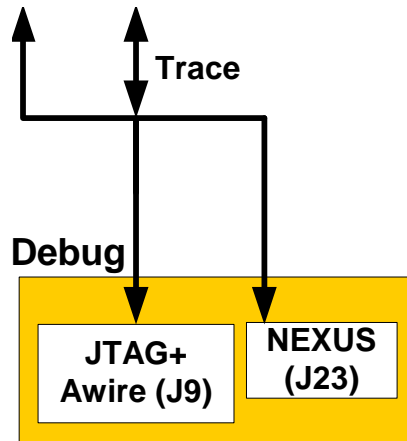
QFP144 pin	GPIO	GPIO alternate function	Feature
92-106 107-109	PC19-31 PD0-2	EBI-D0 – EBI-D12 EBI D13- EBI D15	SDRAM Data Bus
112-124 126-127 129-130	PD5-15 PD17-18 PD20-21	EBI A2-A11 EBI A13-A14 EBI A16- A17	SDRAM Address Bus
122	PD13	EBI SDCK	SDRAM Clock
87	PC14	EBI SDCKE	SDRAM SDCKE
88	PC15	EBI SDWEN	SDRAM SDWEN
89	PC16	EBI CASn	SDRAM CASn
90	PC17	EBI RASn	SDRAM RASn
91	PC18	EBI SDA10	SDRAM SDA10
97	PD24	EBI DQM1	SDRAM DQM1
110	PD3	EBI DQM0	SDRAM DQM0
136	PD27	EBI CS	SDRAM CS

4.5 Programming & Debugging Interface

The Programming & Debugging Interface block of the Atmel AT32UC3C-EK provides the developer a mean to debug an application running on the Atmel AT32UC3C0512C.

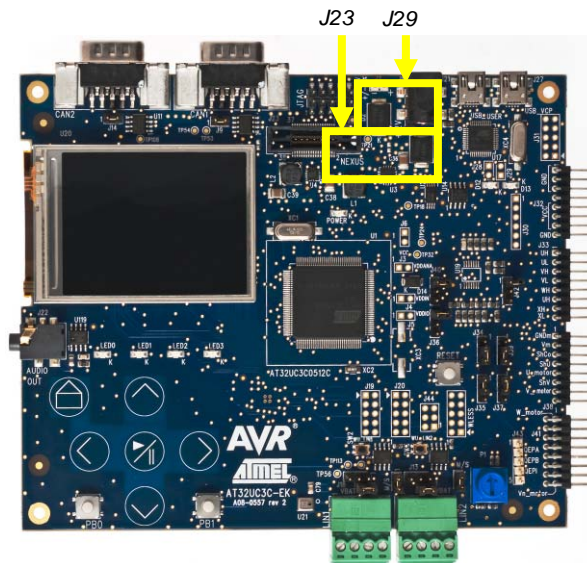
4.5.1 Overview

Figure 4-12. Atmel AT32UC3C-EK Programming & Debugging Interface Logical View



The main Programming and Debugging Interface of the AT32UC3C-EK is meant to program and debug the Atmel AT32UC3C0512C. There are two debug interfaces implemented in the AT32UC3C0512C: the JTAG interface accessible through the *J24* connector and the NEXUS interface accessible through the *J23* connector.

Figure 4-13. AT32UC3C-EK Top View Programming and Debugging Interface Location





4.5.2 UC3C-Specific Information

4.5.2.1 AT32UC3C0512C pinout for the JTAG Interface

Table 4-13. UC3C pinout for the JTAG interface

QFP144 pin	GPIO	GPIO alternate function	Feature
1	PA00	None	JTAG.TCK
2	PA01	None	JTAG.TDI
3	PA02	None	JTAG.TDO
4	PA03	None	JTAG.TMS
142	N.A.	N.A.	RESET_N pin. Used when enabling/disabling the JTAG or the aWire interface. Also, the aWire data is multiplexed on this pin

4.5.2.2 AT32UC3C0512 pinout for the NEXUS Interface

Table 4-14. UC3C pinout for the NEXUS interface

QFP144 pin	GPIO	GPIO alternate function	Feature
1	PA00	None	JTAG.TCK
2	PA01	None	JTAG.TDI
3	PA02	None	JTAG.TDO
4	PA03	None	JTAG.TMS
142	N.A.	N.A.	RESET_N pin. Used when enabling/disabling the JTAG or the aWire interface. Also, the aWire data is multiplexed on this pin
27	PA10	N.A.	EVTI_N
9	PB06	N.A.	MDO[5]
18	PB15	N.A.	MDO[4]
17	PB14	N.A.	MDO[3]
46	PA27	N.A.	MDO[2]
45	PA26	N.A.	MDO[1]
36	PA19	N.A.	MDO[0]
138	PD29	N.A.	EVTO_N
65	PB26	N.A.	MCKO
64	PB25	N.A.	MSEO[1]
57	PB18	N.A.	MSEO[0]

4.5.3 Configuration and Test Points

4.5.3.1 Special Considerations for the NEXUS pins

On the Atmel AVR UC3 C series, the NEXUS pins are multiplexed with I/O lines. While using these multiplexed NEXUS lines all normal peripheral activity on these lines is disabled. The user must make sure that no external peripheral is blocking the NEXUS lines while debugging.

Table 4-15 highlights the components of the Atmel AT32UC3C-EK that might interfere with the multiplexed NEXUS pins. These components must not be used while debugging with the NEXUS interface.

Table 4-15. Conflicts Conditions over the NEXUS Debugging Pins

QFP144 pin	GPIO	Conflict conditions
18	PB15	Nexus pin in conflict with Wireless (WLESS) CTS Signal
17	PB14	Nexus pin in conflict with Wireless (WLESS) RTS Signal
64	PB25	Nexus pin in conflict with Wireless (WLESS) CS Signal

To summarize, debugging on NEXUS will not work if:

- The WLESS connector is used.

4.5.3.2 Test Points

A few test points covering the Programming and Debugging Interface block have been placed on the AT32UC3C-EK for the verification of important signals.

Table 4-16. Programming and Debugging Interface block Test Points

Designation	Feature
TP57	JTAG.TCK
TP58	JTAG.TDO
TP59	JTAG.TMS
TP60	JTAG.TDI
TP61	GND
TP62	VCC3
TP63	RESET_N

4.5.3.3 Using the aWire

The Atmel AVR ONE! and JTAGICE mkII tools can interface with the Atmel AVR UC3 C series using the single-wire aWire interface available on J24. Check the documentation of these tools to know the recommended pinout to connect to an aWire target.

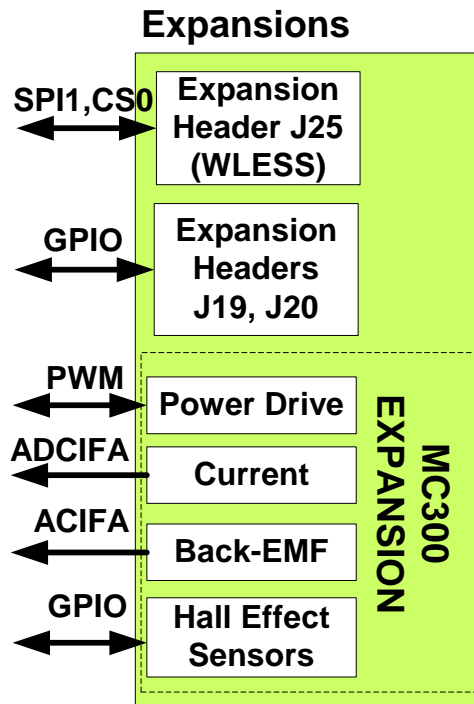


4.6 Expansions Interface

The Expansions interface on the AT32UC3C-EK offers the possibility to connect various external devices to the Atmel AT32UC3C0512C.

4.6.1 Overview

Figure 4-14. Atmel AT32UC3C-EK Expansions Interface Logical View

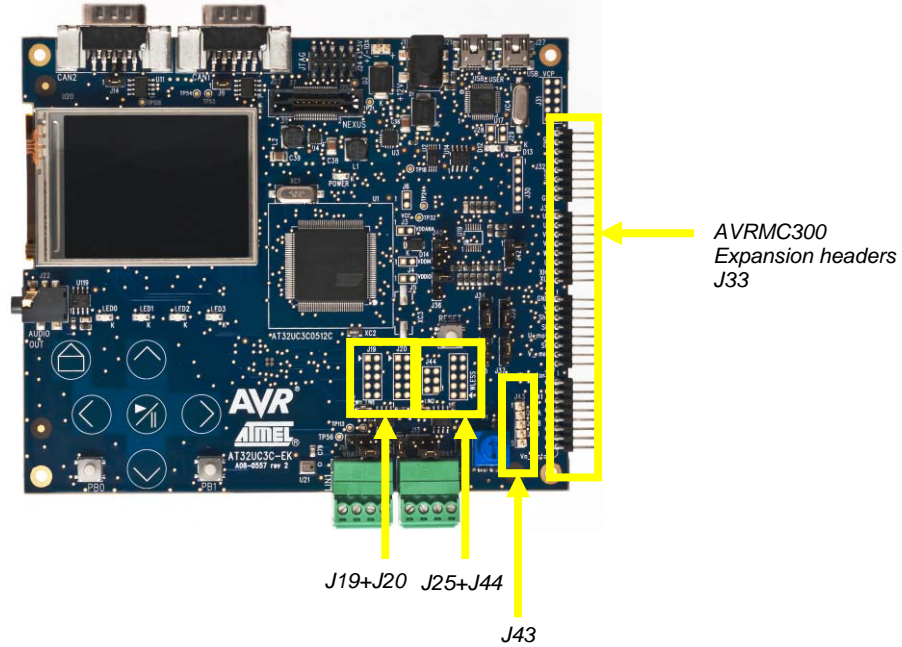


There are three expansion headers on the Atmel AT32UC3C-EK:

- The *J25* header (labeled WLESS) to connect the wireless extension board to provide wireless communication capabilities to the kit. Signals on *J25.1* and *J25.2* are configurable with the *J44* header. The Atmel AT32UC3C0512C modules available on *J25* are USART1 and SPI1; depending on the *J44* configuration, TWIMS0 is available too.
- The *J19* and *J20* headers provide access to several GPIOs of the AT32UC3C0512C and ground and VCC3.
- The Atmel AVRMC300 expansion offers the possibility to connect an AVRMC300 expansion motor control board:
 - The *J33* header provides access to the power driver control signals (PWM signals).
 - The *J38* header provides access to the current and back-EMF measurement (ADC and AC signals).
 - The *J41* header provides access to Hall-Effect sensors (GPIO signals).
 - The *J43* header provides access to quadrature decoder sensors (QDEC signals).

- Refer to section 3.4.4 for more detailed information.

Figure 4-15. Atmel AT32UC3C-EK Top View Expansion Headers Location



4.6.2 UC3C-Specific Information

4.6.2.1 AT32UC3C0512C pinout for the Expansion Interfaces

Table 4-17. UC3C pinout for the J25 and J44 headers

QFP144 pin	GPIO	GPIO alternate function	Feature
17	PB14	USART1.RTS	Provides access to the USART1.RTS signal. Available on J25.1 if J44 is configured with a jumper connecting J44.3 to J44.5
18	PB15	USART1.CTS	Provides access to the USART1.CTS signal. Available on J25.2 if J44 is configured with a jumper connecting J44.4 to J44.6
19	PB25	SPI1.NPCS[0]	WLESS SPI Chip select. Available on J25.5
64	PB20	SPI0.MISO	WLESS.MISO signal. Available on J25.7
74	PC03	TWIMS0.TWCK	Provides access to the TWI0 TWCK signal. Available on J25.2 if J44 is configured with a jumper connecting J44.2 to J44.4
58	PB19	SPI1.MOSI	WLESS.MOSI signal. Available on J25.6



QFP144 pin	GPIO	GPIO alternate function	Feature
73	PC02	TWIMS0.TWD	Provides access to the TWIMS0 TWD signal. Available on J25.1 if J44 is configured with a jumper connecting J44.1 to J44.3
60	PB21	SPI1.SCK	WLESS SPI clock. Available on J25.8
19	PB16	USART1.TX	Provides access to the USART1.TX signal. Available on J25.4
20	PB17	USART1.RX	Provides access to the USART1.RX signal. Available on J25.3
N.A.	N.A.	N.A.	GND. Available on J25.9
N.A.	N.A.	N.A.	VCC3. Available on J25.10

Table 4-18. UC3C pinout for the J19 header

QFP144 pin	GPIO	GPIO Function	Feature
81	PC8	Software-dependant	J19.3
82	PC9	Software-dependant	J19.4
84	PC10	Software-dependant	J19.5
101	PC28	Software-dependant	J19.6
102	PC29	Software-dependant	J19.7
100	PC27	Software-dependant	J19.9
-	-	-	GND on J19.10
-	-	-	VCC3 on J19.2
-	-	-	VCC5 on J19.8
-	-	-	VCC12 on J19.1

Table 4-19. UC3C pinout for the J20 header

QFP144 pin	GPIO	GPIO alternate function	Feature
111	PD4	Software-dependant	J20.3
112	PD5	Software-dependant	J20.4
113	PD6	Software-dependant	J20.5
124	PD15	Software-dependant	J20.6
125	PD16	Software-dependant	J20.7
126	PD7	Software-dependant	J20.9
-	-	-	GND on J20.10
-	-	-	VCC3 on J20.2
-	-	-	VCC5 on J20.8
-	-	-	VCC12 on J20.1

Table 4-20. UC3C pinout for the power drives control signal (J33)

QFP144 pin	GPIO	GPIO alternate function	Feature
12	PB9	PWM-PWMH[0]	Provides access to the PWM UH signal available on J33.1
11	PB8	PWM-PWML[0]	Provides access to the PWM UL signal available on J33.2
14	PB11	PWM-PWMH[1]	Provides access to the PWM VH signal available on J33.3
13	PB10	PWM-PWML[1]	Provides access to the PWM VL signal available on J33.4
16	PB13	PWM-PWMH[2]	Provides access to the PWM WH signal available on J33.5
15	PB12	PWM-PWML[2]	Provides access to the PWM WL signal available on J33.6
18	PB15	PWM-PWMH[3]	Provides access to the PWM XH signal available on J33.5. See configuration section to activate this feature
17	PB14	PWM-PWML[3]	Provides access to the PWM XL signal available on J33.6. See configuration section to activate this feature

Table 4-21. UC3C pinout for the current and back EMF measurement (J38)

QFP144 pin	GPIO	GPIO alternate function	Feature
23	PA6	ADCIFA-ADCIN2 or ACIFA-AC1AP1	ADC Input 0 positive channel or Analog Comparator 0 Input positive. See section AVRMC300 Configuration to select one of the two features
23	PA7	ADCIFA-ADCIN3 or ACIFA-AC1AN1	ADC Input 1 positive channel or Analog Comparator 0 Input negative. See section AVRMC300 Configuration to select one of the two features
39	PA20	ADCIFA-ADCIN9 or ACIFA-AC0AP0	ADC Input 0 negative channel or Analog Comparator 1 Input positive. See section AVRMC300 Configuration to select one of the two features
41	PA22	ACIFA-AC0AN0	Analog Comparator 1 Input negative
42	PA23	ACIFA-AC0BP0	Analog Comparator 2 Input positive
40	PA21	ADCIFA-ADCIN10 or ACIFA-AC0BN0	ADC Input 1 negative channel or Analog Comparator 2 Input negative. See section AVRMC300 Configuration to select one of the two features
29	PA12	DACIFB-DAC1A	DAC Output

Table 4-22. UC3C pinout for the hall sensors (J41)

QFP144 pin	GPIO	GPIO alternate function	Feature
66	PB27	GPIO[59]	-
67	PB28	GPIO[60]	-
68	PB29	GPIO[61]	-





Table 4-23. UC3C pinout for the hall sensors (J43)

QFP144 pin	GPIO	GPIO alternate function	Feature
66	PB27	QDEC – QEPA	Quadrature Decoder Line A
67	PB28	QDEC – QEPB	Quadrature Decoder Line B
68	PB29	QDEC – QEPI	Quadrature Decoder Line I
-	-	-	GND on J43.5
-	-	-	VCC3 on J43.1

4.6.3 Configuration and Test Points

4.6.3.1 Configuration

The J25.1 and J25.2 pins are configurable through the *J44* header. Refer to Table 4-17, for a description of the possible configurations.

4.6.3.2 AVRMC300 Configuration

The XL and XH signals are multiplexed with NEXUS signals. Due to that, 0 ohm resistors (*R160* and *R162*) are inserted between these signals and I/O signals. There are not mounted by default. It means NEXUS signals are functional. Just mount these resistors to activate XL and XH signals.

The differential measures and comparator detections are multiplexed. Due to that, 0 ohm resistors (*R157*, *R158*, *R159* and *R161*) are inserted. As there are mounted by default, differential measures and comparator detections are accessible.

4.6.3.3 Test Points

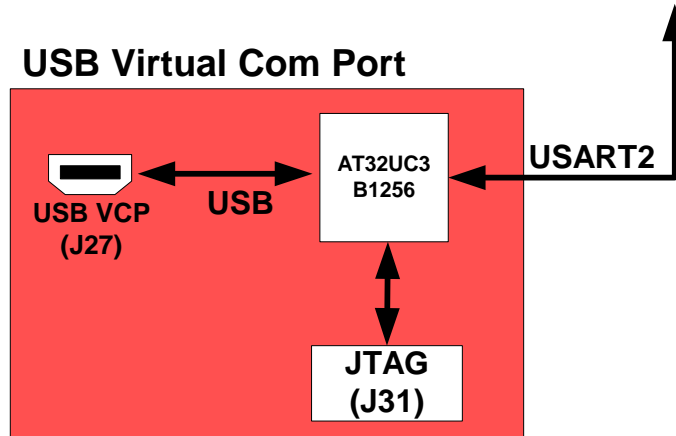
None.

4.7 USB Virtual Com Port Interface

The USB Virtual Com Port interface on the Atmel AT32UC3C-EK offers USB CDC Serial Com Port communication capabilities to the Atmel AT32UC3C0512C through the on-board Atmel AT32UC3B1256 device.

4.7.1 Overview

Figure 4-16. Atmel AT32UC3C-EK USB Virtual Com Port Interface Logical View



The USB Virtual Com Port interface provides two features to the Atmel AT32UC3C-EK kit:

- USB communication,
- Power supply (see section 4.1 for a description of that feature).

The USB controller is the Atmel AT32UC3B1256.

The AT32UC3B1256 comes pre-loaded with several firmwares:

- A USB DFU Bootloader (accessible upon power-up when the J28 header is closed (see Figure 4-16 for the location of the J31 header)) to re-program the AT32UC3B1256.
- A USB CDC-USART bridge (aka a USB CDC Virtual Com Port) where every data character received from USB is sent to the Atmel AT32UC3C0512C's USART2 and every character received from the AT32UC3C0512C's USART2 is sent to USB.

The source code of these firmwares is available in the ASF (ref. section 3.4.6).

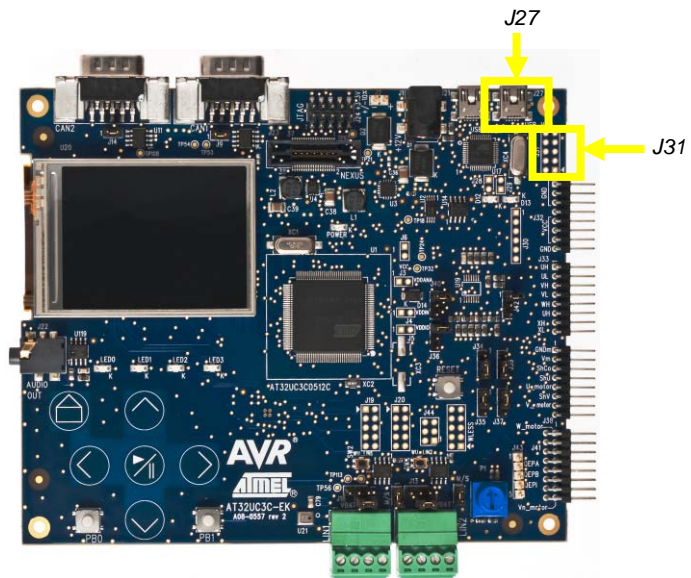
Warning note: programming the AT32UC3B1256 will overwrite the default firmware.

The AT32UC3B1256 can be debugged through the JTAG interface J31 header.

The AT32UC3B1256 is connected to the AT32UC3C0512C's USART2 TX and RX pins.



Figure 4-17. Atmel AT32UC3C-EK Top View USB Virtual Com Port Interface Location



4.7.2 UC3C-Specific Information

4.7.2.1 AT32UC3C0512C pinout for the USB Virtual Com Port Interface block

Table 4-24. UC3C pinout for the USB Virtual Com Port Interface block

QFP144 pin	GPIO	GPIO alternate function	Feature
78	PC05	USART2.RXD	USART2 RX line
77	PC04	USART2.TXD	USART2 TX line

4.7.3 Configuration & Test Points

4.7.3.1 AT32UC3CB1256 Default Firmware Configuration

The default firmware pre-loaded on the Atmel AT32UC3B1256 is dynamically configurable upon power-up:

- The USB DFU Bootloader can be enabled by closing the J28 jumper; use flip/batchisp to read/write resources on the AT32UC3B1256 through the bootloader.

Warning note: programming the AT32UC3B1256 will overwrite the default firmware.

4.7.3.2 Test Points

A few test points covering the USB Interface block have been placed on the Atmel AT32UC3C-EK for the verification of important signals.

Table 4-25. USB Interface block Test Points

Designation	Feature
TP64	VBUS
TP65	D-
TP66	D+
TP67	GND
TP68	JTAG.TCK.UC3B
TP69	JTAG.TDO.UC3B
TP70	JTAG.TMS.UC3B
TP71	JTAG.TDI.UC3B
TP72	RESET_N.UC3B

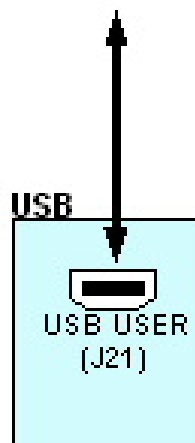


4.8 USB Interface

The USB interface on the AT32UC3C-EK demonstrates the USB device and embedded host communication capabilities of the Atmel AT32UC3C0512C.

4.8.1 Overview

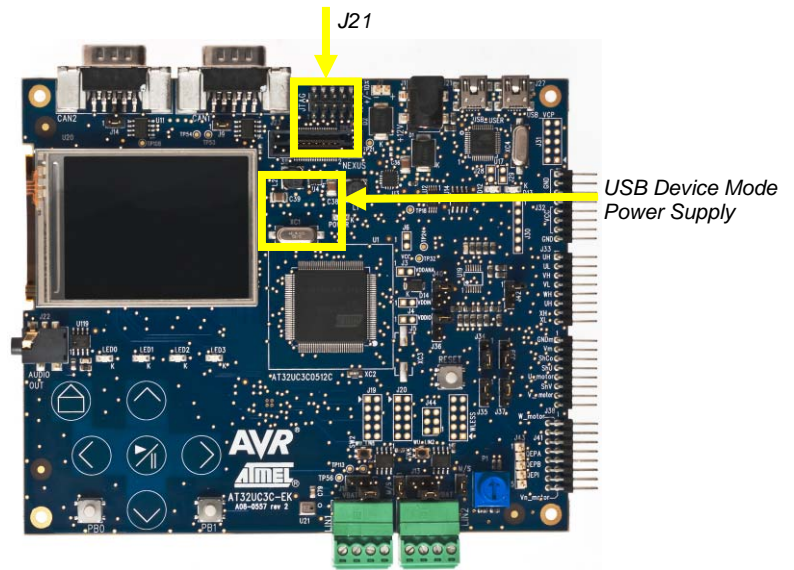
Figure 4-18. AT32UC3C-EK USB Interface Logical View



The USB interface provides two features to the AT32UC3C-EK kit:

- USB communication.
- Power supply (see section 4.1 for a description of that feature) in USB device mode.

Figure 4-19. Atmel AT32UC3C-EK Top View USB Interface Location



4.8.2 UC3C-Specific Information

4.8.2.1 AT32UC3C0512C pinout for the USB Interface block

Table 4-26. UC3C pinout for the USB Interface block

QFP144 pin	GPIO	GPIO alternate function	Feature
50	DM		USB D-
51	DP		USB D+
72	PC01	GPIO[65]	USB VBOF
71	PC00	GPIO[64]	USB ID
10	PB07	GPIO[39]	USB Over Current

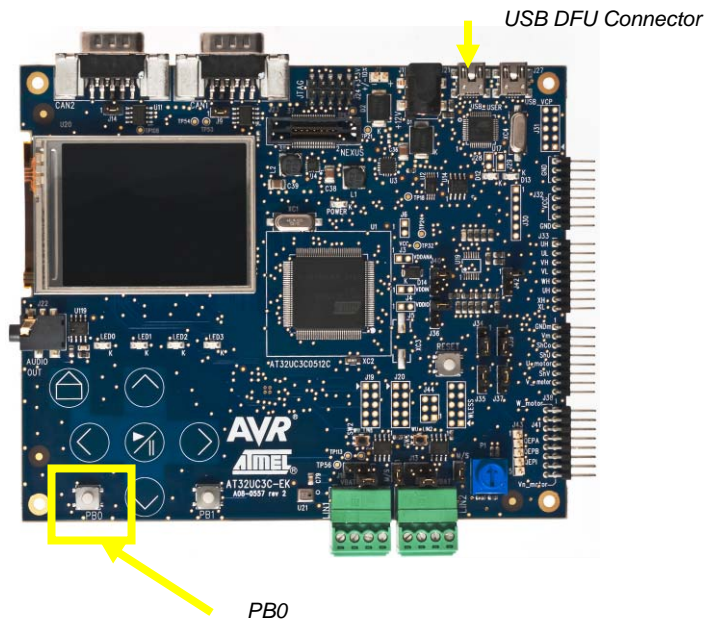


4.8.3 Configuration

4.8.3.1 Bootloader

A USB DFU Bootloader is pre-loaded on the Atmel AT32UC3C0512C. To enter this bootloader mode, the PB0 push-button must be pressed upon reset, then released. It is then possible to program the AT32UC3C0512C through the USB DFU Bootloader (see App note http://www.atmel.com/dyn/products/app_notes.asp?family_id=607)

Figure 4-20. Atmel AT32UC3C-EK Top View USB Bootloader Interface Location



4.8.3.2 USB Over Current Detection

By default the overcurrent detection is not enabled. To enable this feature:

- Mount R85 resistor.

4.9 AT32UC3C0512C

The Atmel AT32UC3C0512C is the central point of the Atmel AT32UC3C-EK.

4.9.1 Overview

See Figure 3-1_for a logical view representing a logical view of the AT32UC3C0512C in the kit.

The AT32UC3C0512C is powered from the Power Supply block. For a detailed presentation of the Power Supply block, see section 4.1.

The AT32UC3C0512C is in charge of the main User Interface block:

- The touch sensors,
- The LEDs LED0-4,
- The 2x push-button,
- The RST push-button,
- The QVGA LCD Display,
- The microphone and audio jack.

For a detailed presentation of the User Interface block, see section 4.2.

The AT32UC3C0512C can be programmed and debugged through the Programming & Debugging Interface block that provides JTAG or aWire access. For a detailed presentation of the Programming & Debugging Interface block, see section





Programming & Debugging Interface.

The AT32UC3C0512C has access to:

- 1x external on-board Atmel DataFlash 64 Mbit memory.
- 1x external on-board Atmel EEPROM 128-bits memory.
- 1x external on-board SDRAM 256 Mbits memory.
- 1x external on-board SD/MMC slot.

For a detailed presentation of the External Memory block, see section 4.4.

4x networking interfaces available on AT32UC3C0512C are accessible:

- 2x CAN Interfaces.
- 2x LIN Interfaces.

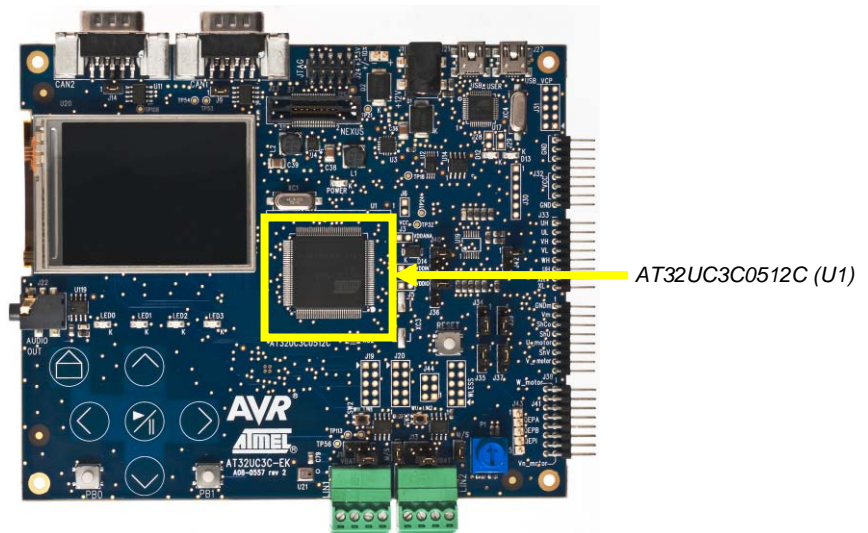
For a detailed presentation of the networking block, see section 4.3.

The expansion interface offers the possibility to connect various external devices to the AT32UC3C0512C. The J25 connector (labeled WLESS) is dedicated to interface to wireless extension board (obviously dedicated firmware must be running on the AT32UC3C0512C to support that feature). For a detailed presentation of the expansion Interface block, see section 4.6.

The AVRMC300 expansion headers offer the possibility to connect AVRMC300 additional board to the AT32UC3C0512C. For a detailed presentation of the AVRMC300 expansion Interface block, see section 4.6.3.2.

The USB communication capabilities of the Atmel AT32UC3C0512C interface is also demonstrated and accessible through a mini-B connector. For a detailed presentation of the USB Interface block, see section 4.8.

Figure 4-21. Atmel AT32UC3C-EK Top View AT32UC3C0512C Location



4.9.2 AT32UC3C0512C pinout

Table 4-27. UC3C pinout Power Supply pins and Jtag pins

QFP144 pin	GPIO	GPIO alternate function	Feature
------------	------	-------------------------	---------

QFP144 pin	GPIO	GPIO alternate function	Feature
53	N.A.	N.A.	VDDIN5
54	N.A.	N.A.	VDDIN33
52	N.A.	N.A.	GNDPLL
55	N.A.	N.A.	VDDCORE
56	N.A.	N.A.	GNDCORE
37	N.A.	N.A.	GNDANA
34-35	N.A.	N.A.	ADCREFP/N
38	N.A.	N.A.	VDDANA
5-76-104-119	N.A.	N.A.	GNDVDDIO
5-75-103-118	N.A.	N.A.	VDDIO
	N.A.	N.A.	RST push-button, connected to the RESET_N pin
1	PA00	None	JTAG.TCK
2	PA01	None	JTAG.TDI
3	PA02	None	JTAG.TDO
4	PA03	None	JTAG.TMS

Table 4-28. UC3C pinout Port A

QFP144 pin	GPIO	GPIO alternate function	Feature
21	PA4	ADCIFA-ADCIN0	TFT XL Line Measurement
22	PA5	ADCIFA-ADCIN1	TFT YU Line Measurement
23	PA6	ADCIFA-ADCIN2 or ACIFA-AC1AP1	ADC Input 0 positive channel or Analog Comparator 0 Input positive.
23	PA7	ADCIFA-ADCIN3 or ACIFA-AC1AN1	ADC Input 1 positive channel or Analog Comparator 0 Input negative
25	PA8	GPIO[8]	LED0
26	PA9	ADCIFA-ADCIN5	Potentiometer
27	PA10	N.A.	EVTI_N
28	PA11	ADCREF0	Analog Reference 0
29	PA12	DACIFB-DAC1A	DAC Output.
30	PA13	ADCIFA-ADCIN15	TFT YD Line Measurement
31	PA14	GPIO[14]	PB0 push-button
32	PA15	DACIFB-DAC1B	Jack Audio.
33	PA16	ADCREF1	Analog Reference1
36	PA19	N.A.	MDO[0]
39	PA20	ADCIFA-ADCIN9 or ACIFA-AC0AP0	ADC Input 0 negative channel or Analog Comparator 1 Input positive.
40	PA21	ADCIFA-ADCIN10 or ACIFA-AC0BN0	ADC Input 1 negative channel or Analog Comparator 2 Input negative.
41	PA22	ACIFA-AC0AN0	Analog Comparator 1 Input negative.
42	PA23	ACIFA-AC0BP0	Analog Comparator 2 Input positive.





QFP144 pin	GPIO	GPIO alternate function	Feature
43	PA24	ADCIFA-ADCIN13	TFT XR Line Measurement
44	PA25	ADCIFA-ADCIN14	Microphone Input
45	PA26	N.A	MDO[1]
46	PA27	N.A	MDO[2]
47	PA28	GPIO[126]	SD Card Protect
48	PA29	GPIO[29] or EXTINT[0]	PB1 push-button

Table 4-29. UC3C pinout Port B

QFP144 pin	GPIO	GPIO alternate function	Feature
140	PB00	Xin0	
141	PB01	Xout0	
142	PB02	Xin1	
143	PB03	Xout1	
36	PB04	RX CAN0	RX CAN
37	PB05	TX CAN0	TX CAN
9	PB06	N.A	MDO[5]
10	PB07	GPIO[39]	USB Over Current
11	PB8	PWM-PWML[0]	Provides access to the PWM UL signal available on J33.2.
12	PB9	PWM-PWMH[0]	Provides access to the PWM UH signal available on J33.1.
13	PB10	PWM-PWML[1]	Provides access to the PWM VL signal available on J33.4.
14	PB11	PWM-PWMH[1]	Provides access to the PWM VH signal available on J33.3.
15	PB12	PWM-PWML[2]	Provides access to the PWM WL signal available on J33.6.
16	PB13	PWM-PWMH[2]	Provides access to the PWM WH signal available on J33.5.
17	PB14	PWM-PWML[3]	Provides access to the PWM XL signal available on J33.6. See configuration section to activate this feature.
18	PB15	N.A / USART1.CTS / PWM-PWMH[3]	MDO[4]
19	PB16	Rx LIN0 / USART1.RX	RX LIN / WLESS Rx Line
20	PB17	TX LIN0 / USART1.TX	TX LIN / WLESS Tx Line
57	PB18	N.A	MSEO[0]

QFP144 pin	GPIO	GPIO alternate function	Feature
58	PB19	SPI1.MISO	Dataflash SO / SD SO / WLESS.MOSI / TFT Interface through the SPI
59	PB20	SPI1.MOSI	Dataflash SI / SD SI / WLESS.MISO / TFT Interface through the SPI
60	PB21	SPI1.SCK	Dataflash SCK / SD SCK / WLESS SPI clock / TFT Interface through the SPI
61	PB22	SPI1.NPCS3	SD #CS
62	PB23	SPI1.NPCS2	TFT SPI #CS
63	PB24	SPI1.NPCS1	Dataflash #CS
64	PB25	N.A / SPI1.NPCS[]	MSEO[1]
65	PB26	N.A	MCKO
66	PB27	GPIO[59] / QDEC – QEPA	-
67	PB28	GPIO[60] / QDEC – QEPB	-

Table 4-30. UC3C pinout Port C

QFP144 pin	GPIO	GPIO alternate function	Feature
71	PC00	GPIO[64]	USB ID
72	PC01	GPIO[65]	USB VBOF
73	PC02	TWIMS0_TWD	Touch TWI Data / EEPROM TWI Data / WLESS Data
74	PC03	TWIMS0_TWCK	Touch TWI Clock / EEPROM TWI Clock / WLESS Clock
77	PC04	USART2.TXD	USART3 TX line
78	PC05	USART2.RXD	USART3 RX line
79	PC06	GPIO[70]	UC3B_INT
80	PC07	GPIO[71]	Detect Interrupt of QTouch
81	PC08	Software-dependant	J19.3
82	PC09	Software-dependant	J19.4
84	PC10	Software-dependant	J19.5
84	PC11	RX CAN1	RX CAN
85	PC12	TX CAN1	TX CAN
86	PC13	GPIO[77] or PWMH[2]	LED2
87	PC14	EBI SDCKE	SDRAM SDCKE
88	PC15	RX LIN1 / EBI SDWEN	RX LIN / SDRAM SDWEN
89	PC16	TX LIN1 / EBI CASn	TX LIN / SDRAM CASn





QFP144 pin	GPIO	GPIO alternate function	Feature
90	PC17	EBI RASn	SDRAM RASn
91	PC18	EBI SDA10	SDRAM SDA10
92	PC19	EBI-D0	TFT Data Bus
93	PC20	EBI-D1	TFT Data Bus
94	PC21	EBI-D2	TFT Data Bus
95	PC22	EBI-D3	TFT Data Bus
96	PC23	EBI-D4	TFT Data Bus
97	PC24	EBI-D5	TFT Data Bus
98	PC25	EBI-D6	TFT Data Bus
99	PC26	EBI-D7	TFT Data Bus
100	PC27	EBI-D8 / Software-dependant	TFT Data Bus / J19.9
101	PC28	EBI-D9 / Software-dependant	TFT Data Bus / J19.6
102	PC29	EBI-D10 / Software-dependant	TFT Data Bus / J19.7
103	PC30	EBI-D11	TFT Data Bus
104	PC31	EBI-D12	TFT Data Bus

Table 4-31. UC3C pinout Port D

QFP144 pin	GPIO	GPIO alternate function	Feature
107-109	PD0-2	EBI D13	SDRAM Data Bus.
108	PD1	EBI D14	SDRAM Data Bus.
109	PD2	EBI D15	SDRAM Data Bus.
110	PD3	EBI DQM0	SDRAM DQM0
111	PD4	Software-dependant	J20.3
112	PD5	EBI A2/ Software-dependant	SDRAM Address Bus / J20.4
113	PD6	EBI A3/ Software-dependant	SDRAM Address Bus / J20.5
114	PD7	EBI A3/ Software-dependant	SDRAM Address Bus / J20.9

QFP144 pin	GPIO	GPIO alternate function	Feature
115	PD8	EBI A4	SDRAM Address Bus
116	PD9	EBI A5	SDRAM Address Bus
117	PD10	EBI A6	SDRAM Address Bus
120	PD11	EBI A7	SDRAM Address Bus
121	PD12	EBI A8	SDRAM Address Bus
122	PD13	EBI SDCK	SDRAM Clock
123	PD14	EBI A10	SDRAM Address Bus
124	PD15	EBI A11 / Software-dependant	SDRAM Address Bus / J20.6
125	PD16	EBI-A12/ Software-dependant	TFT Reset Signal / J20.7
126	PD17	EBI-A13	SDRAM Address Bus
127	PD18	EBI-A14	SDRAM Address Bus
128	PD19	EBI-A15	TFT TE Signal
129	PD20	EBI-A16	SDRAM Address Bus
130	PD21	EBI-A17	SDRAM Address Bus
131	PD22	GPIO[118] or TC0-A2	LED3
132	PD23	GPIO[119]	LED1
97	PD24	EBI DQM1	SDRAM DQM1
134	PD25	EBI-NWE0	TFT Write Signal
135	PD26	EBI-NRD	TFT Read Signal
136	PD27	EBI CS	SDRAM CS
137	PD28	GPIO[124] or TC0-B0	TFT Backlight Signal.
138	PD29	N.A	EVTO_N
139	PD30	GPIO[28]	SD Write Protect

4.9.2.1 Configuration

A USB DFU Bootloader is pre-loaded on the Atmel AT32UC3C0512C. To enter this bootloader mode, the PB0 push-button must be pressed upon reset then released. It is then possible to program the AT32UC3C0512C through the USB DFU Bootloader.





5 EVALUATION BOARD/KIT – IMPORTANT NOTICE

This evaluation board/kit is intended for use for **FURTHER ENGINEERING, DEVELOPMENT, DEMONSTRATION, OR EVALUATION PURPOSES ONLY**. It is not a finished product and may not (yet) comply with some or any technical or legal requirements that are applicable to finished products, including, without limitation, directives regarding electromagnetic compatibility, recycling (WEEE), FCC, CE or UL (except as may be otherwise noted on the board/kit). Atmel supplied this board/kit "AS IS," without any warranties, with all faults, at the buyer's and further users' sole risk. The user assumes all responsibility and liability for proper and safe handling of the goods. Further, the user indemnifies Atmel from all claims arising from the handling or use of the goods. Due to the open construction of the product, it is the user's responsibility to take any and all appropriate precautions with regard to electrostatic discharge and any other technical or legal concerns.

EXCEPT TO THE EXTENT OF THE INDEMNITY SET FORTH ABOVE, NEITHER USER NOR ATMEL SHALL BE LIABLE TO EACH OTHER FOR ANY INDIRECT, SPECIAL, INCIDENTAL, OR CONSEQUENTIAL DAMAGES.

No license is granted under any patent right or other intellectual property right of Atmel covering or relating to any machine, process, or combination in which such Atmel products or services might be or are used.

Mailing Address: Atmel Corporation, 2325 Orchard Parkway, San Jose, CA 95131



Headquarters

Atmel Corporation
2325 Orchard Parkway
San Jose, CA 95131
USA
Tel: 1(408) 441-0311
Fax: 1(408) 487-2600

International

Atmel Asia
Unit 1-5 & 16, 19/F
BEA Tower, Millennium City 5
418 Kwun Tong Road
Kwun Tong, Kowloon
Hong Kong
Tel: (852) 2245-6100
Fax: (852) 2722-1369

Atmel Europe
Le Krebs
8, Rue Jean-Pierre Timbaud
BP 309
78054 Saint-Quentin-en-
Yvelines Cedex
France
Tel: (33) 1-30-60-70-00
Fax: (33) 1-30-60-71-11

Atmel Japan
9F, Tonetsu Shinkawa Bldg.
1-24-8 Shinkawa
Chuo-ku, Tokyo 104-0033
Japan
Tel: (81) 3-3523-3551
Fax: (81) 3-3523-7581

Product Contact

Web Site
www.atmel.com

Technical Support
avr@atmel.com

Sales Contact
www.atmel.com/contacts

Literature Request
www.atmel.com/literature

Disclaimer: The information in this document is provided in connection with Atmel products. No license, express or implied, by estoppel or otherwise, to any intellectual property right is granted by this document or in connection with the sale of Atmel products. **EXCEPT AS SET FORTH IN ATMEL'S TERMS AND CONDITIONS OF SALE LOCATED ON ATMEL'S WEB SITE, ATMEL ASSUMES NO LIABILITY WHATSOEVER AND DISCLAIMS ANY EXPRESS, IMPLIED OR STATUTORY WARRANTY RELATING TO ITS PRODUCTS INCLUDING, BUT NOT LIMITED TO, THE IMPLIED WARRANTY OF MERCHANTABILITY, FITNESS FOR A PARTICULAR PURPOSE, OR NON-INFRINGEMENT. IN NO EVENT SHALL ATMEL BE LIABLE FOR ANY DIRECT, INDIRECT, CONSEQUENTIAL, PUNITIVE, SPECIAL OR INCIDENTAL DAMAGES (INCLUDING, WITHOUT LIMITATION, DAMAGES FOR LOSS OF PROFITS, BUSINESS INTERRUPTION, OR LOSS OF INFORMATION) ARISING OUT OF THE USE OR INABILITY TO USE THIS DOCUMENT, EVEN IF ATMEL HAS BEEN ADVISED OF THE POSSIBILITY OF SUCH DAMAGES.** Atmel makes no representations or warranties with respect to the accuracy or completeness of the contents of this document and reserves the right to make changes to specifications and product descriptions at any time without notice. Atmel does not make any commitment to update the information contained herein. Unless specifically provided otherwise, Atmel products are not suitable for, and shall not be used in, automotive applications. Atmel's products are not intended, authorized, or warranted for use as components in applications intended to support or sustain life.

© 2010 Atmel Corporation. All rights reserved. Atmel®, Atmel logo and combinations thereof, AVR®, AVR® logo, QTouch® and others, are the registered trademarks or trademarks of Atmel Corporation or its subsidiaries. Other terms and product names may be trademarks of others.