



eDmod100

M2M Modem Module

The eDmod100 is a complete, ready-to-integrate and easy-to-use V90 modem module that comes with a powerful TCP/IP stack, and all in a compact form factor that makes it suitable for inclusion in a large range of appliances.

The eDmod100 is optimised to provide a reliable and price competitive solution for wired M2M projects. Including all the software and hardware components needed to transfer information over legacy analogue phone networks, the eDmod100's integration process does not require a big investment and offers a short time-to-market option for connecting devices.

- ▶ Ready-to-Integrate
- ▶ Embedded TCP/IP
- ▶ Fully Approved

Based on standard off-the-shelf components like a 16-bit DSP, the eDmod100 embeds the award-winning eDevice TCP/IP stack, "packaging" eDevice's expertise in connecting and managing large groups of connected devices.

Full access to PSTN/POTS networks at modem speeds up to 56K with internal PPP client managing ISP authentication and IP negotiation.

V90 PPP Modem



PSTN/POTS Networks

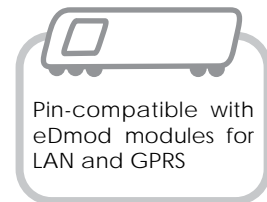
The windows-based SDK allows to easily write, compile and embed user-specific scripts onto the eDmod with a true file system.

Tiny OS with FAT



Parameters and actions are triggered using the user-friendly eDevice AT# interface through serial port or remote control.

AT# Interface



Pin-compatible with eDmod modules for LAN and GPRS

Universal Format

The socket modem connectivity is compatible with other eDevice modules allowing a device to support different networks.

Web Server

Custom web pages are stored in the flash memory and are dynamically updated with real-time values upon browsing.

FTP & Mail Client

Data on Flash memory or on serial port can be easily downloaded or uploaded from a remote FTP server or via email.

The eDkit100 includes all the components required to fully test and evaluate the eDmod100 :

<p>eDkit Package Content</p>	<p>1 eDbox based on eDmod100</p>	<p>Power Supply</p>	<p>DB9 & USB Cable DB9 M/M adapter</p>	<p>SDK and Wizard Documentation</p>
------------------------------	----------------------------------	---------------------	--	-------------------------------------



eDmod100

M2M Modem Module

▶ Hardware

- ◆ 2187 Analog Devices 16 bit DSP
- ◆ File Allocation Table on 8 Mbit Flash Memory
- ◆ Operating system with interpreted script language for software customisation
- ◆ Serial connection up to 230Kbps to host equipment (TTL 3V3 or RS232)
- ◆ Power Supply 5V, Power Use 120mA
- ◆ Operating Environment: 0°C to + 45°C

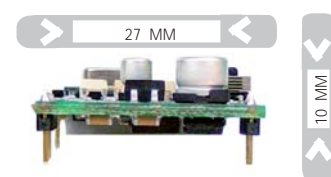
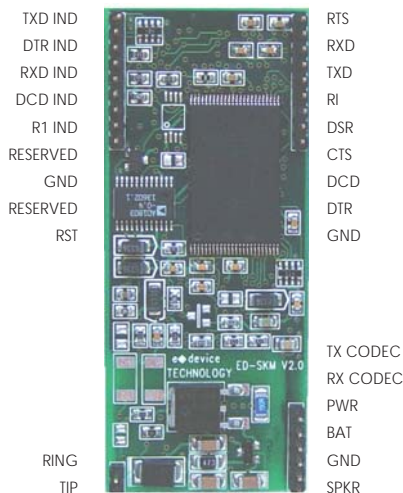
▶ Modem

- ◆ V90, V34 or V32bis modem speed options
- ◆ V21, V22, V22bis, V23, V32, V42, Bell 212A, Bell 103
- ◆ AT Hayes compatible
- ◆ Caller ID for calling number Identification
- ◆ RFC compliant PPP client for ISP connection
- ◆ CTR21 (Europe), FCC (Americas) and JATE (Japan) Telco approvals
- ◆ G729 vocal server with DTMF decoder (optional)

▶ TCP/IP

- ◆ In-house RFC Compliant TCP/IP stack driven with standard eDevice AT# interface
- ◆ PPP Client / Server
- ◆ DNS and NTP Client
- ◆ TCP Socket Client and Server for Telnet connections
- ◆ SMTP and POP3 Client for email transfer
- ◆ FTP Client for File Transfer from or to a remote FTP server
- ◆ Dynamic embedded HTTP Web server

The eDmod100 is IDeMS-certified, allowing connectivity to IDeMS, eDevice Middleware Server, to benefit from advanced Fleet Management Services and from PSTN-specific Network Services, eliminating certain network limitations. The eDmod100 can optionally be connected to eDevice's global ISP service providing a very cost effective ISP access in 150 countries



Model	Speed	Level
eDmod101	V32	RS 232
eDmod102	V34	RS 232
eDmod103	V90	RS 232
eDmod101T	V32	TTL3V3
eDmod102T	V34	TTL3V3
eDmod103T	V90	TTL3V3
eDmod111	G729 vocal server	