



Junior Handy Little Relay Transistorised 12VDC



Supply Voltage
12VDC

Coil Resistance
720Ω

Nominal Current
16mA

Trigger Current
2mA

Output
Two Pole Change
Over relay contacts,
volt free (dry).

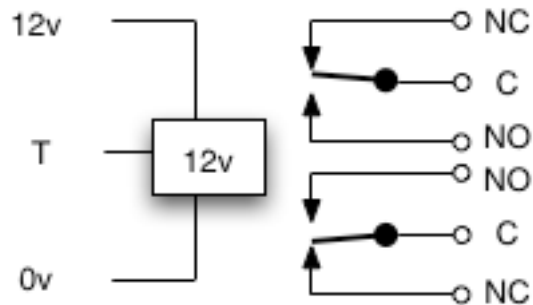
Rated at
2A at 240VAC
2A at 30VDC

Indicator
Red LED

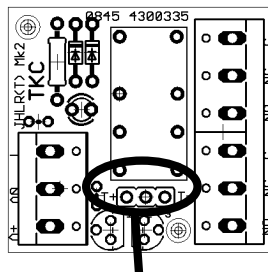
Dimensions
35mm W x 33mm L x
14mm H
Available as strips of
four

Plastic mounting feet
are available – order
SFSFA for a pack of 20

Circuit diagram



The trigger input can be either 12v (anything above 1v will trigger) or 0v.
You select the trigger + or – with the jumper on the board.



Jumper

Jumper on right for +V trigger
Jumper on left for 0V trigger

This relay is polarised and is therefore suitable for alarm bell circuits.
It must be wired the correct way round for it to operate.

There is also a back EMF suppressing diode.

T.K. Consultants (UK) Ltd

Tel: 0845 43 00 33 5

Fax: 0845 43 00 33 6

Email: info@tk-

consultants.co.uk

Web: www.tk-consultants.co.uk

JHLRT12/1

Junior Handy Little
Relay Transistorised

12VDC

Single unit