



# Junior Handy Little Relay Transistorised 12VDC



**Supply Voltage**  
12VDC

**Coil Resistance**  
720Ω

**Nominal Current**  
16mA

**Trigger Current**  
2mA

**Output**  
Two Pole Change  
Over relay contacts,  
volt free (dry).

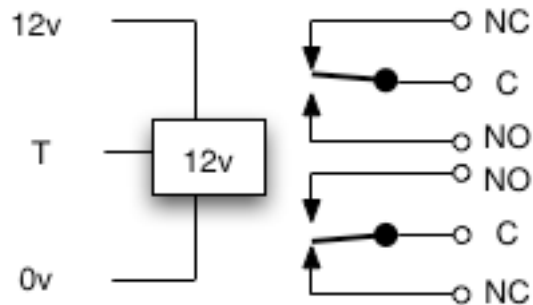
**Rated at**  
2A at 240VAC  
2A at 30VDC

**Indicator**  
Red LED

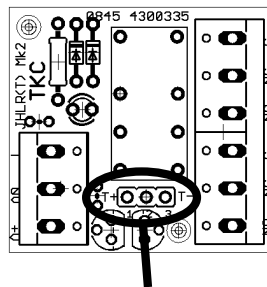
**Dimensions**  
35mm W x 33mm L x  
14mm H – single  
35mm W x 131mm L  
x 14mm H – 4  
Can be broken down in to  
singles, doubles or triples  
as required

Plastic mounting feet  
are available – order  
SFSA for a pack of 20

## Circuit diagram



The trigger input can be either 12v (anything above 1v will trigger) or 0v.  
You select the trigger + or – with the jumper on the board.



Jumper

Jumper on right for +V trigger  
Jumper on left for 0V trigger

This relay is polarised and is therefore suitable for alarm bell circuits.  
It must be wired the correct way round for it to operate.

There is also a back EMF suppressing diode.

**T.K. Consultants (UK) Ltd**

Tel: 0845 43 00 33 5

Fax: 0845 43 00 33 6

Email: info@tk-

consultants.co.uk

Web: www.tk-consultants.co.uk

# JHLRT12/4

Junior Handy Little  
Relay Transistorised

12VDC

Strip of 4