



Features:

- 230Vac input (European)
- 24Vac Output
- IP Rated Weatherproof unit
- Class I power (required to be earthed)
- Wall-mountable
- Tightenable glands for IP & OP wires
- Cost effective and high reliability
- Suitable for use in security applications & many others.
- Protections: Over Voltage, Short circuit & Over Temp.
- CE & EMC Compliant
- Assembled in the UK
- MTBF >50,000 hours
- 1 Year Warranty

IP66
Weatherproof PSU



Output Characteristics						
Part Number	T4215AD	T4459AD	T4468AD	T4033AD	T4476AD	T4507AD
Voltage	24Vac	24Vac	24Vac	24Vac	24Vac	24Vac
Voltage (no load)	26.3Vac	28.3Vac	28.3Vac	26.3Vac	27.2Vac	27.2Vac
Current Max.	1A	2A	3A	4A	5A	7A
Power (VA)	24VA	48VA	72VA	96VA	120VA	168VA
Protections	F1A 20x5mm Quick Blow Glass Fuse	F3.15A 20x5mm Quick Blow Glass Fuse	F3.15A 20x5mm Quick Blow Glass Fuse	F4A 20x5mm Quick Blow Glass Fuse	F5A 20x5mm Quick Blow Glass Fuse	F8A 20x5mm Quick Blow Glass Fuse
Case Size (See below)	CAS0002	CAS0002	CAS0002	CAS0002	CAS0027	CAS0027
Weight (approx.)	<1.5Kg	<1.5Kg	<1.5Kg	<1.5Kg	<2Kg	<2.5Kg
DC Output Connection	Re-Wireable Terminal block for 24Vac Output					

Input Characteristics						
Rated Input Voltage	230Vac (+/-10%)					
Magnetising Current	65mA	20mA	20mA	65mA	35mA	45mA
Rated Frequency	50Hz					
Input Fuse	T0.63A 20x5mm Time Delay Glass Fuse			T3.15A 20x5mm Time Delay Glass Fuse		
Flash Test	3.75Kv	3.75Kv	3.75Kv	3.75Kv	4KV	4KV
AC Input Connection	Re-Wireable Terminal block for L - E - N wires					

Safety, Mechanical and Other Characteristics	
Operating Temperature	0°C to 40°C
Storage Temperature	-10°C to 70°C
Operating Humidity	20 to 80%
Storage Humidity	10 to 90%
Safety Approvals	CE Compliant
EMI Standards	EMC Compliant
PB-free	Yes. RoHS Compliant
MTBF	50K Hours
Weatherproofing	IS65/IP66



Stontronics Ltd

Chancerygate Business Centre, Cradock Road, Reading, Berkshire, RG2 0AH.

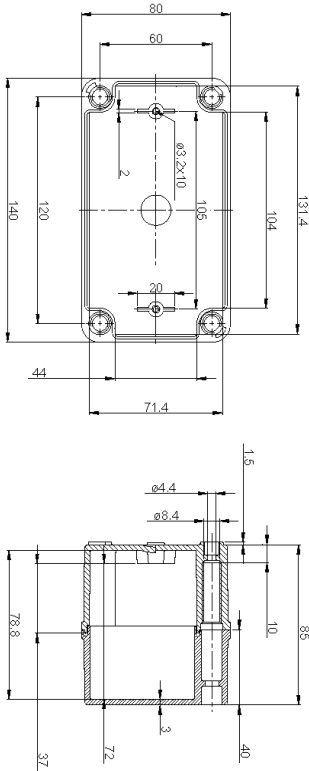
Tel: +44 (0) 118 931 1199 • Fax: +44 (0) 118 931 1145 • Email: info@stontronics.co.uk • Web: www.stontronics.co.uk

Please Note: Image shown is representative of entire range. Individual PSU image &/or drawings or data sheets available on request.

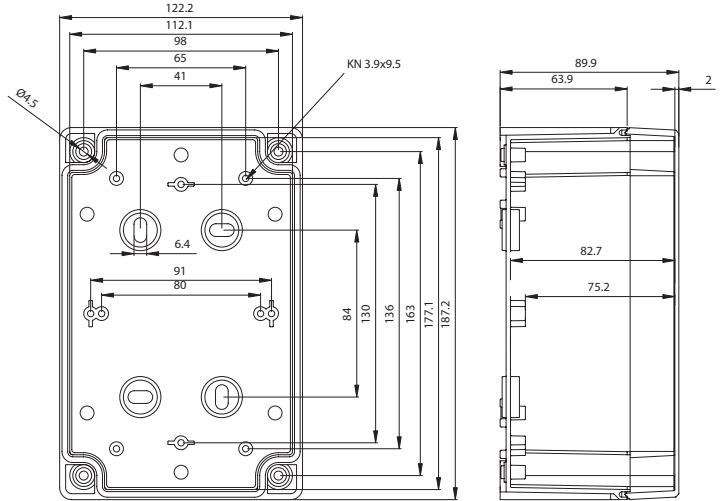
Stontronics Ltd accepts no responsibility for typographical errors in the production of this leaflet. Product specifications are subject to change without notice.

Case Drawings:

CAS00002:

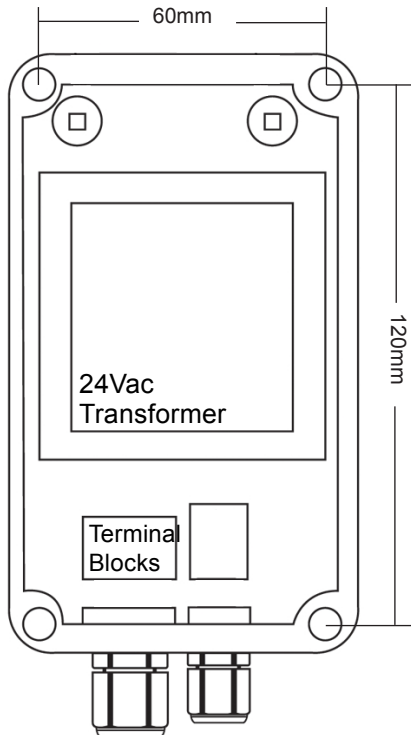


CAS0027:



Internal View & Wall-mounting Holes

- T4033AD T4468AD T4459AD T4215AD:



- T4476AD & T4491AD:

