



Features:

- Universal / Full range AC input
- IP Rated Weatherproof unit
- Class I power (required to be earthed)
- Wall-mountable
- Tightenable glands for IP & OP wires
- Cost effective and high reliability
- Protections: Over Voltage, Short circuit & Over Temp.
- CE & EMC Compliant
- Made in the UK
- Level V ErP/EuP efficiency compliant
- MTBF >50,000 hours
- 1 Year Warranty



Output Characteristics					
Part Number	T4467AD	T4211AD	T4466AD	T4492AD	T4494AD
Voltage	12Vdc	12Vdc	12Vdc	12Vdc	12Vdc
Output Voltage Range	11.4 - 12.6V	11.4 - 12.6V	11.4 - 12.6V	+/-0.6V	+/-0.6V
Current Max.	1A	1.5A	2A	3.5A	5A
Current Min.	0A	0A	0A	0A	0A
Power (watts)	12W	18W	24W	42W	60W
Line Regulation	±1%	±1%	±1%	±1%	±1%
Voltage Tolerance	±5%	±5%	±5%	±5%	±5%
Ripple & Noise (mV p-p)	<120mV	<120mV	<120mV	120mV	150mV
Protections	OCP, OVP, Short (Hiccup) & Temperature				
Case Size (See below)	CAS0002	CAS0002	CAS0002	CAS0027	CAS0027
Weight (approx.)	>1kg	>1kg	>1kg	>1kg	>1kg
DC Output Connection	Re-Wireable Terminal block for 0Vdc & 12Vdc wires				

Input Characteristics					
Rated Input Voltage	100-240Vac				
Full Input Voltage Range	90-264Vac				
Rated Frequency	50-60Hz				
Full Frequency Range	47-63Hz				
Efficiency (min.)	>70%	>70%	>70%	75%	75%
Input Current (RMS Max.)	600mA	600mA	600mA	1.5A	1.5A
Input Power (no load)	<0.3W Max. (Level V ErP/EuP/CEC Compliant)				
AC Input Connection	Re-Wireable Terminal block for L - E - N wires				

Safety, Mechanical and Other Characteristics	
Hi-Pot Specification	3000Vac 10mA 1 min. (I.P. to O.P.)
Operating Temperature	0°C to 40°C
Storage Temperature	-10°C to 70°C
Operating Humidity	20% to 80%
Storage Humidity	10% to 90%
Safety Approvals	EN60950
EMI Standards	EN55022B
PB-free	Yes. RoHS Compliant
MTBF	50K Hours (mean time before failure)
Weatherproofing	IP65/IP66 Rated



Stontronics Ltd

Chancerygate Business Centre, Cradock Road, Reading, Berkshire, RG2 0AH.

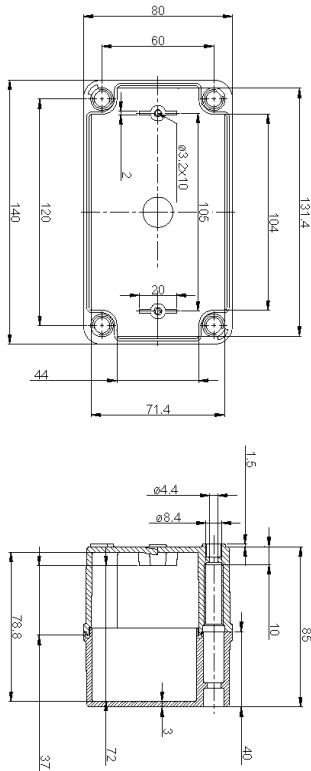
Tel: +44 (0) 118 931 1199 • Fax: +44 (0) 118 931 1145 • Email: info@stontronics.co.uk • Web: www.stontronics.co.uk

Please Note: Image shown is representative of entire range. Individual PSU image &/or drawings or data sheets available on request.

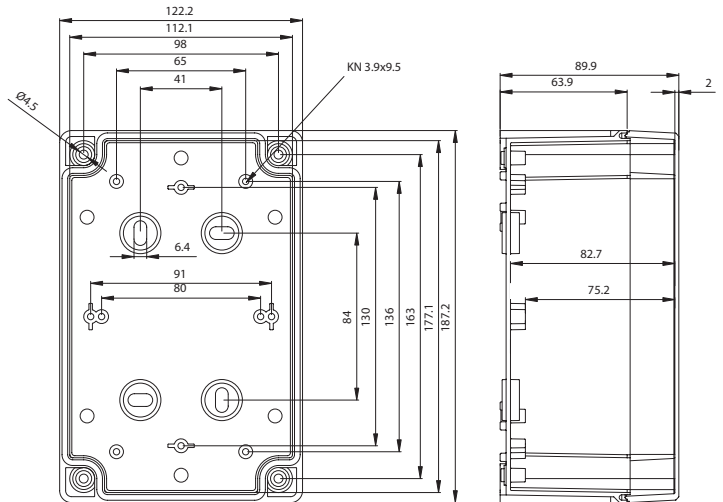
Stontronics Ltd accepts no responsibility for typographical errors in the production of this leaflet. Product specifications are subject to change without notice.

Case Drawings:

CAS00002:

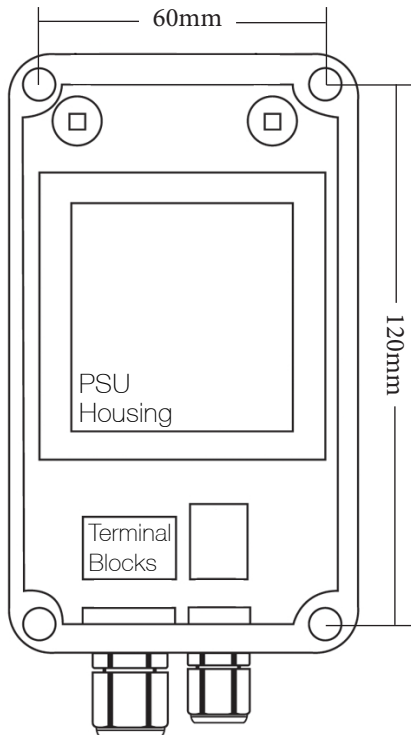


CAS0027:



Internal View & Wall-mounting Holes

- T4467AD, T4211AD & T4466AD:



- T4492AD & T4494AD:

