

### AC-DC Regulated Adaptors (Plugtop & Desktop Configurations)

#### Features

- 230Vac Mains Input Voltage only
- Mains Vac to low voltage DC converter/adaptor
- Attractive black plastic case
- Regulated DC output voltage
- UK, Euro and Desktop configurations from stock
- 1.8Meter O/P lead (majority of units)
- 2.1mm C+ve or multipack O/P plugs
- 1 Year Warranty



### Product Selection Chart with electrical specifications

| UK Plug Range |                   |                    |         |                      |                     |                     |              |               |            |             |
|---------------|-------------------|--------------------|---------|----------------------|---------------------|---------------------|--------------|---------------|------------|-------------|
| Part Number   | Voltage (On load) | Voltage (Off Load) | Current | Insulation (@500VDC) | Hi-Pot Test (IP-OP) | Magnetising Current | Thermal Fuse | O/P Connector | Case Size. | Weight (Kg) |
| S2088ST       | 5Vdc              | 5.1Vdc             | 300mA   | 100Mohm.             | 4200Vac             | 50mA                | 130°C        | 6-pack        | EI-41      | 0.36        |
| T2593ST       | 5Vdc              | 5.1Vdc             | 300mA   | 100Mohm.             | 4200Vac             | 50mA                | 130°C        | 2.1 C+ve      | EI-41      | 0.35        |
| T2526ST       | 5Vdc              | 5.1Vdc             | 1000mA  | 100Mohm.             | 3750Vac             | 60mA                | 130°C        | 2.1 C+ve      | EI-48      | 0.53        |
| S2226ST       | 5Vdc              | 5.1Vdc             | 1000mA  | 100Mohm.             | 3750Vac             | 60mA                | 130°C        | 6-pack        | EI-48      | 0.55        |
| S2249ST       | 6Vdc              | 6Vdc               | 800mA   | 100Mohm              | 3750Vac             | 40mA                | 130°C        | 6-pack        | EI-48      | 0.54        |
| S2062ST       | 9Vdc              | 9Vdc               | 500mA   | 100Mohm              | 3750Vac             | 60mA                | 130°C        | 6-pack        | EI-48      | 0.54        |
| S2092ST       | 12Vdc             | 12.2Vdc            | 300mA   | 100Mohm              | 3750Vac             | 50mA                | 130°C        | 6-pack        | EI-41      | 0.37        |
| S2171MN       | 12Vdc             | 12.2Vdc            | 300mA   | 100Mohm              | 3750Vac             | 60mA                | 125°C        | 2.1 C+ve      | 92x56x75mm | 0.36        |
| S2147ST       | 12Vdc             | 12Vdc              | 500mA   | 100Mohm              | 4200Vac             | 55mA                | 130°C        | 6-pack        | EI-48      | 0.54        |
| T3665ST       | 12Vdc             | 12Vdc              | 500mA   | 100Mohm              | 3750Vac             | 60mA                | 125°C        | R/A 2.1 C+ve  | 92x56x84mm | 0.37        |
| S2140ST       | 15Vdc             | 14.9Vdc            | 500mA   | 100Mohm              | 3750Vac             | 50mA                | 130°C        | 6-pack        | EI-48      | 0.55        |
| T2348ST       | 18Vdc             | 18Vdc              | 500mA   | 100Mohm              | 3750Vac             | 50mA                | 130°C        | 6-pack        | EI-48      | 0.55        |
| T3488ST       | 24Vdc             | 24Vdc              | 400mA   | 100Mohm              | 4200Vac             | 50mA                | 130°C        | 2.1 C+ve      | EI-48      | 0.52        |

| Euro Plug Range |                   |                    |         |                      |             |                     |              |               |            |             |
|-----------------|-------------------|--------------------|---------|----------------------|-------------|---------------------|--------------|---------------|------------|-------------|
| Part Number     | Voltage (On load) | Voltage (Off Load) | Current | Insulation (@500VDC) | Hi-Pot Test | Magnetising Current | Thermal Fuse | O/P Connector | Case Size. | Unit Weight |
| T3489ST         | 5Vdc              | 5Vdc               | 300mA   | 100Mohm              | 4200Vac     | 45mA                | 130°C        | 2.1 C+ve      | EI-41      | 0.32        |
| T3182ST         | 5Vdc              | 5.1Vdc             | 1000mA  | 100Mohm              | 3750Vac     | 60mA                | 130°C        | 2.1 C+ve      | EI-48      | 0.51        |
| T3183ST         | 12Vdc             | 12Vdc              | 300mA   | 100Mohm              | 4200Vac     | 45mA                | 130°C        | 2.1 C+ve      | EI-41      | 0.32        |
| T3184ST         | 24Vdc             | 24.3Vdc            | 400mA   | 100Mohm              | 3750Vac     | 50mA                | 130°C        | 2.1 C+ve      | EI-48      | 0.50        |

| Desktop (with flying-leads) Range |                   |                    |         |                      |             |                     |              |               |             |             |
|-----------------------------------|-------------------|--------------------|---------|----------------------|-------------|---------------------|--------------|---------------|-------------|-------------|
| Part Number                       | Voltage (On load) | Voltage (Off Load) | Current | Insulation (@500VDC) | Hi-Pot Test | Magnetising Current | Thermal Fuse | O/P Connector | Case Size.  | Unit Weight |
| S2136ST                           | 12Vdc             | 12.13Vdc           | 500mA   | 100Mohm              | 3750Vac     | 50mA                | 130°C        | 6-pack        | EI-48 (105) | 0.64        |
| S2266ST                           | 12Vdc             | 12Vdc              | 1000mA  | 100Mohm              | 4200Vac     | 45mA                | 130°C        | 6-pack        | EI-66 (130) | 1.26        |



#### Stontronics Ltd

Chancerygate Business Centre, Cradock Road, Reading, Berkshire, RG2 0AH.

Tel: +44 (0) 118 931 1199 • Fax: +44 (0) 118 931 1145 • Email: info@stontronics.co.uk • Web: www.stontronics.co.uk

Please Note: Image shown is representative of entire range. Individual PSU image &/or drawings or data sheets available on request.

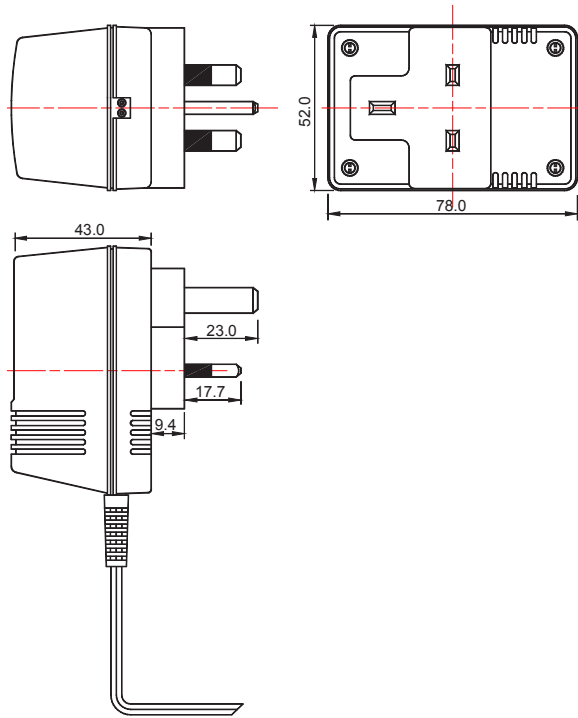
Stontronics Ltd accepts no responsibility for typographical errors in the production of this leaflet. Product specifications are subject to change without notice.



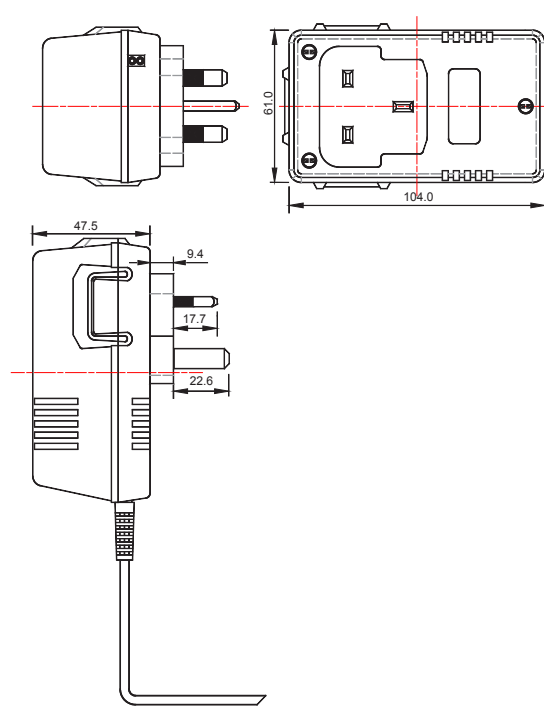
### AC-DC Regulated Adaptors (Plugtop & Desktop Configurations)

#### UK & Euro Plugtop Drawings

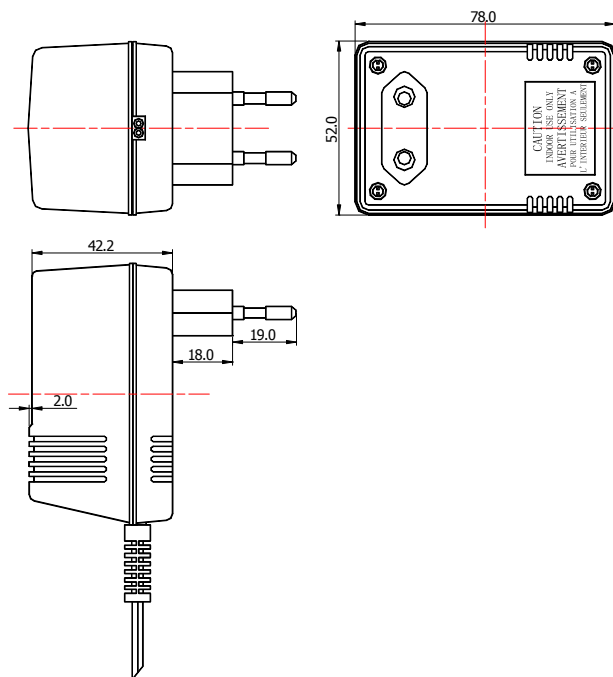
• EI-41-UK:



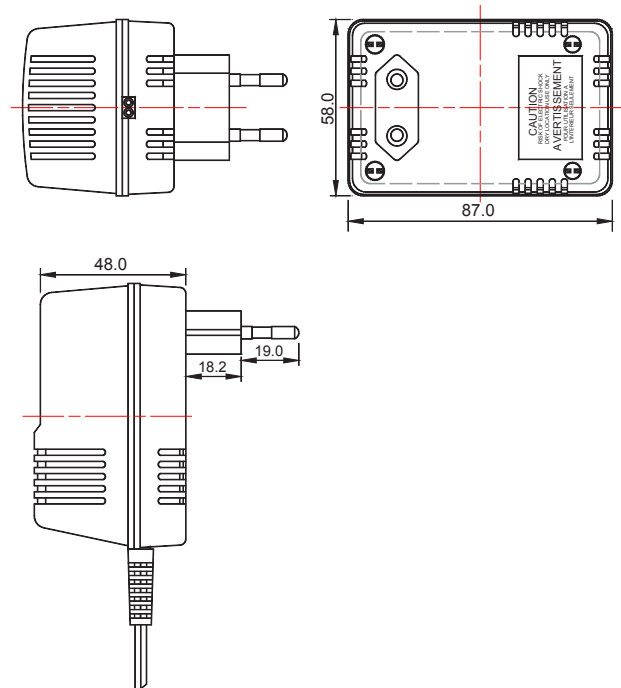
• EI-48-UK:



• EI-41-EU:



• EI-48-EU:



#### Stontronics Ltd

Chancerygate Business Centre, Cradock Road, Reading, Berkshire, RG2 0AH.

Tel: +44 (0) 118 931 1199 • Fax: +44 (0) 118 931 1145 • Email: info@stontronics.co.uk • Web: www.stontronics.co.uk

Please Note: Image shown is representative of entire range. Individual PSU image &/or drawings or data sheets available on request.

Stontronics Ltd accepts no responsibility for typographical errors in the production of this leaflet. Product specifications are subject to change without notice.