



Features:

- Universal / Full range AC input
- Fixed AC mains lead (UK or bare)
- Class II power (no earth)
- Small & Compact design
- Built-in wall-mounting tabs
- Cost effective and high reliability

- Protections: Over Voltage, Short circuit & Over Temp.
- Approvals: CE & UL
- Level V ErP/EuP efficiency compliant
- MTBF >50,000 hours
- 1 Year Warranty

Note:

T3717ST & T3718ST: Fixed UK plug Mains Lead

T4483ST & T4484ST: Fixed bare ended Mains Lead



Output Characteristics				
Part Number	T3717ST	T3718ST	T4483ST	T4484ST
Rated Voltage	12Vdc	24Vdc	12Vdc	24Vdc
Voltage Tolerance	+/-0.6V	+/-1.2V	+/-0.6V	+/-1.2V
Current Max.	3.5A	1.75A	5.0A	2.5A
Current Min.	0A	0A	0A	0A
Power (watts)	42W	42W	60W	60W
Line Regulation	+/-1%	+/-1%	+/-1%	+/-1%
Load Regulation	+/-5%	+/-5%	+/-5%	+/-5%
Ripple & Noise (mV p-p)	120mV	240mV	150mV	150mV
Protections	Over Voltage: Output Shut-down when output voltage exceeds maximum. Over Current: Output shut down and auto restart Short Circuit: Output shut down and auto restart Temperature: No ignition, smoke or deformation of the case. Output shut down at 65°C.			
Case Size (See below)	114 x 51 x 32 (not inc. tabs)	114 x 51 x 32 (not inc. tabs)	114 x 51 x 32 (not inc. tabs)	114 x 51 x 32 (not inc. tabs)
Weight (approx.)	410g	420g	370g	370g
DC Cord	1.8 Metre	1.8 Metre	1.5 Metre	1.5 Metre
DC Plug (mm)	Straight 2.1 C+ve	Straight 2.1 C+ve	Right-Angled 2.1 C+ve	Right-Angled 2.1 C+ve

Input Characteristics				
Rated Input Voltage	100-240Vac			
Full Input Voltage Range	90-254Vac			
Frequency	47-63Hz			
Efficiency (min.)	75%	75%	75%	75%
Input Current (RMS Max.)	1.5A	1.5A	1.5A	1.5A
In-rush Current	100Vac: 30A Max. 240Vac: 75A Max.	30A Max. 75A Max.	30A Max. 75A Max.	30A Max. 75A Max.
Input Power (no load)	<0.5W Max. (Level V ErP/EuP/CEC Compliant)			
AC Mains Lead	2.1M with UK Plug	2M with UK Plug	2M with bare ends	2M with bare ends

Safety, Mechanical and Other Characteristics	
Range Model Designations	CGSW-120XXXX (specified individually on each product label)
Hi-Pot Specification	3000Vac 10mA /min. (I.P. to O.P.)
Insulation	500Vdc 10Mohm /min. (I.P. to O.P.)
Operating Temperature	0°C to 40°C
Storage Temperature	-20°C to 75°C
Operating Humidity	20% to 90% R.H.
Storage Humidity	0% to 90% R.H.
Safety Approvals	EN60950 (T4483ST & T4484ST also: UL 60950)
EMI Standards	EN55022 (T4483ST & T4484ST also: FCC part 15)
PB-free	Yes. RoHS Compliant
MTBF	50K Hours (mean time before failure)



Stontronics Ltd

Chancerygate Business Centre, Cradock Road, Reading, Berkshire, RG2 0AH.

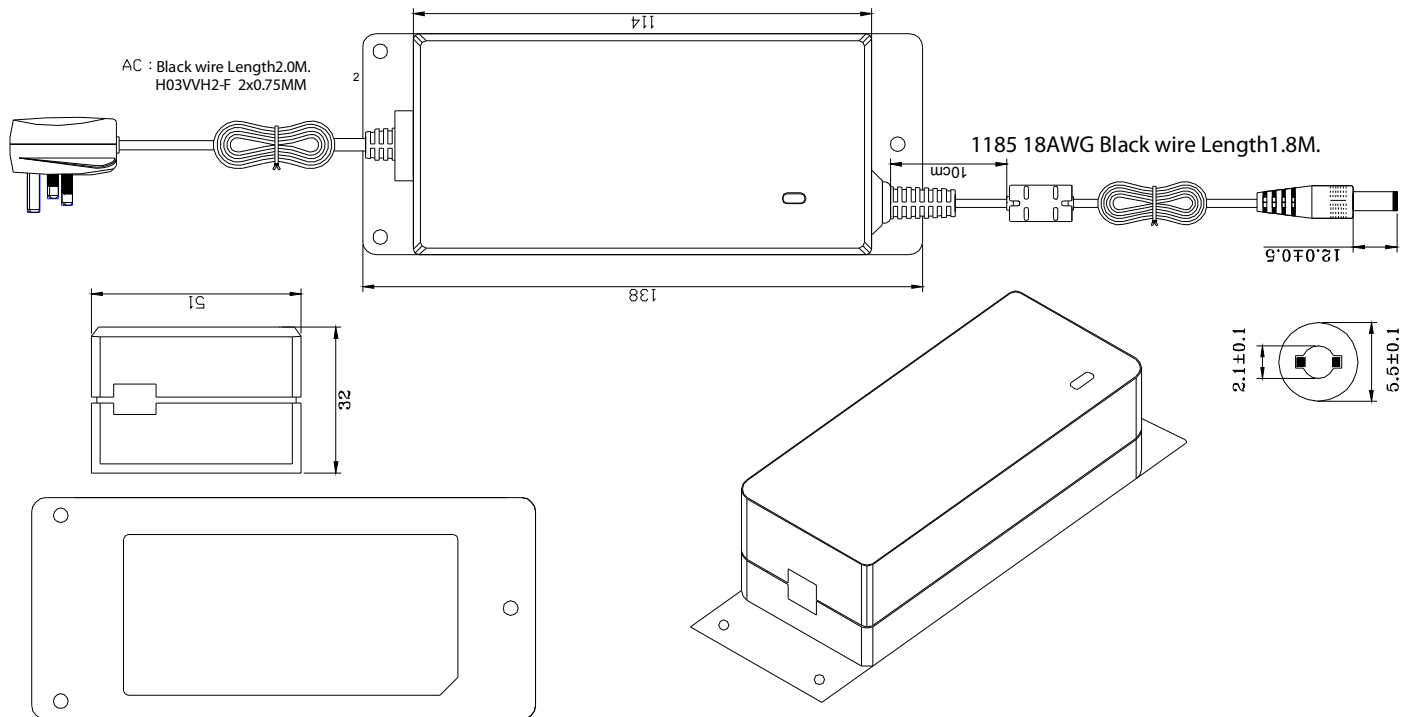
Tel: +44 (0) 118 931 1199 • Fax: +44 (0) 118 931 1145 • Email: info@stontronics.co.uk • Web: www.stontronics.co.uk

Please Note: Image shown is representative of entire range. Individual PSU image &/or drawings or data sheets available on request.

Stontronics Ltd accepts no responsibility for typographical errors in the production of this leaflet. Product specifications are subject to change without notice.

Case Drawing:

• T3717ST & T3718ST:



• T4483ST & T4484ST:

