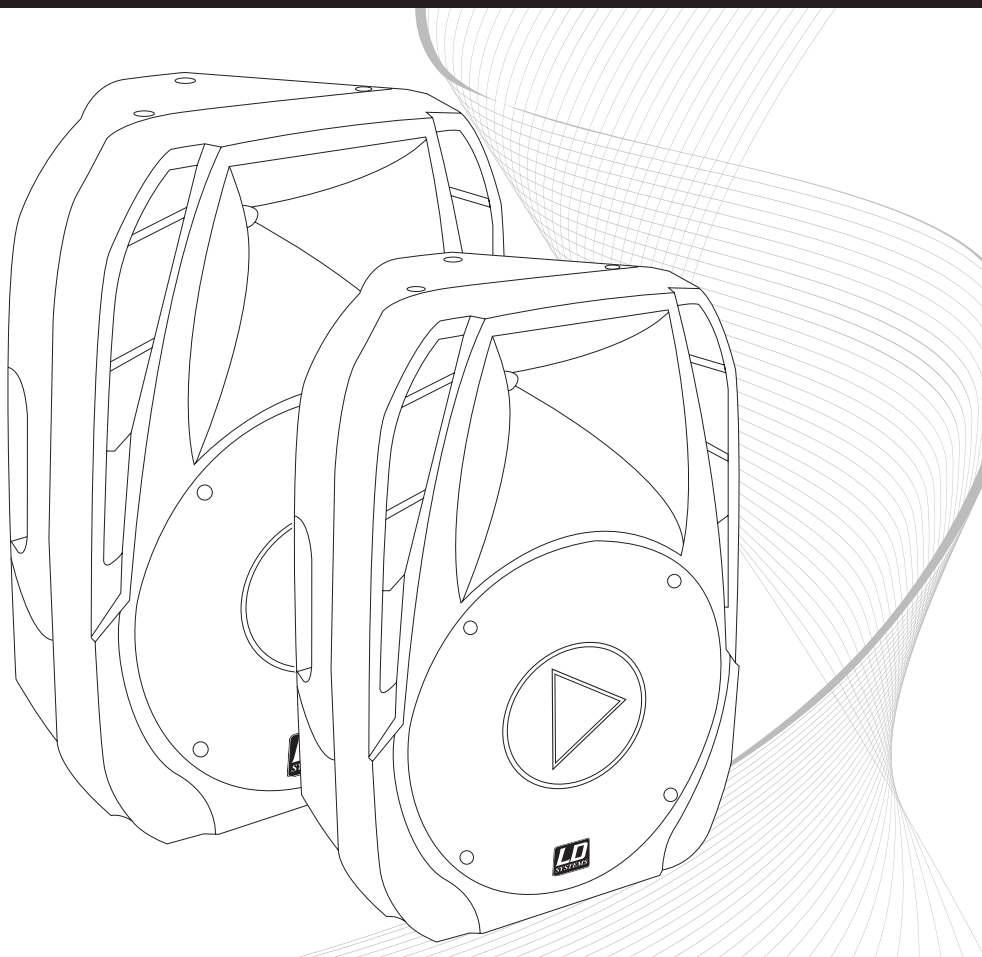


USER'S MANUAL
BEDIENUNGSANLEITUNG
MANUEL D'UTILISATION
MANUAL DE USUARIO
INSTRUKCJA OBSŁUGI
MANUALE D'USO



LD **PLAY** SERIES

ACTIVE 12"/15" **PA LOUDSPEAKER**



ENGLISH

DEUTSCH

FRANCAIS

ESPAÑOL

POLSKI

ITALIANO

Thank you for choosing LD-Systems!

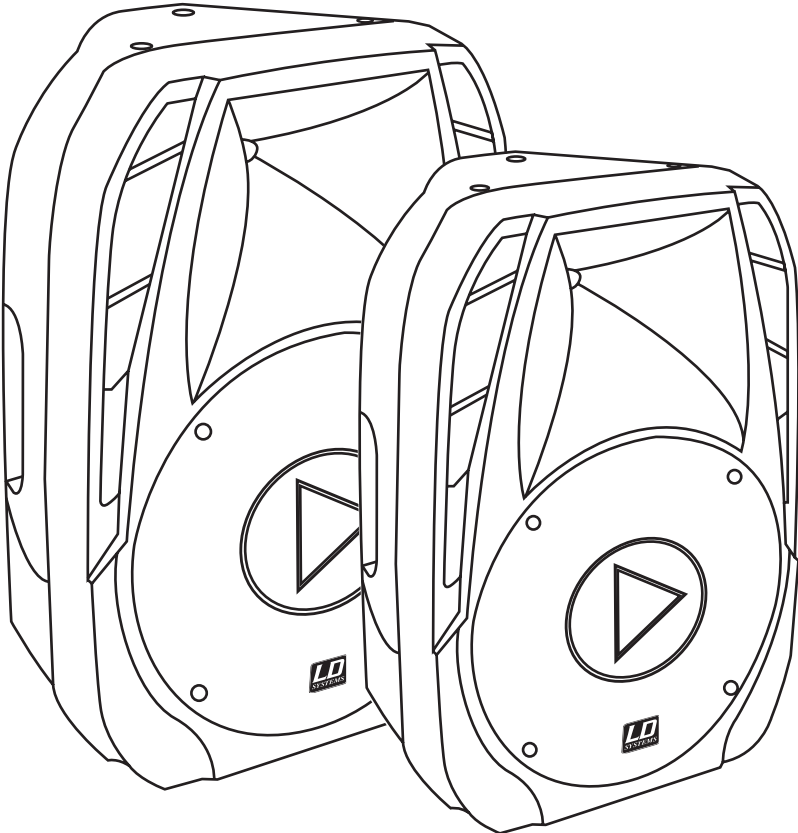
We have designed this product to give you reliable operation over many years. Therefore LD-Systems underwrites high quality products with its name and many years of experience as a producer.

Please, take a few moments to read these instructions carefully, as we want you to enjoy your new LD-Systems products quickly and to the fullest.

Further information about LD-Systems check our website WWW.LD-SYSTEMS.COM

LD **PLAY** SERIES

ACTIVE 12"/15" **PA SPEAKER**



ENGLISH

DEUTSCH

FRANCAIS

ESPAÑOL

POLSKI

ITALIANO

PREVENTIVE MEASURES:

1. Please read the attached safety instructions as well as the following instructions carefully.
2. Please keep all the instructions.
3. Please use the device only as intended.
4. Please respect the valid waste management rules. Please deliver the packaging divided into plastic and paper/ cardboard to the recycling management.
5. Please refer all servicing to qualified personnel only if the device is damaged, exposed to liquid/rain or if it does not operate normally.
6. Please, do not expose to any kind of heat such as ovens, radiators, or any other devices (incl. amplifiers). Please check for enough distance between amplifiers and walls, racks, etc. to prevent overheating.
7. After connection please check the wiring to prevent any kind of accident or damage. Please never use any kind of damaged cable and wiring.
8. Only use authorized and stable stands, brackets, shelves, tables etc.. for installations. Please check for adequate stability against collapse.
9. Appearance of interferences when using wireless systems.
The simultaneous use of wireless microphones and of mobile phones (if both devices are not very distant from each other) can lead to the appearance of interferences in the microphone signal which can be heard in the PA system.



CAUTION:

To reduce the risk of electric shock, do not remove cover (or back). No user serviceable parts inside. Refer servicing to qualified personnel.



The lightning flash with arrowhead symbol within an equilateral triangle is intended to alert the user to the presence of uninsulated “dangerous voltage” within the product’s enclosure that may be of sufficient magnitude to constitute a risk to persons.



The exclamation mark within an equilateral triangle is intended to alert the user to the presence of important operating and maintenance (servicing) instructions in the literature accompanying the appliance.

CAUTION! HIGH VOLUME!

You will operate this transmission system for professional use. Therefore the commercial use of this equipment is liable to the rules and regulations of the Accident Prevention & Insurance Association of your industry sector. Adam Hall as a manufacturer is bound to inform you formally about the existence of eventual sanitary risks.

This system is able to induce an acoustic pressure of 80 db. 85 db is by law the maximum audio pressure level which your ear can be exposed to during a work day. It was set according to the technical expertise of the occupational medicine as a basis for the noise rating level. Higher sound levels or longer exposition times could damage your ear. The time of exposition by higher sound pressure levels should be shortened in order to prevent from ear damages. Here are a few reliable warning signals which show that you have exposed yourself for a too long period to excessive sound pressure levels:

- You hear bell- or whistling sounds!
- You have the impression that you can’t hear high tones anymore!

INTRODUCTION:

The active loudspeakers LDPLAY12A and LDPLAY15A with integrated USB/SD-Card-Player and illuminated display offer comprehensive connectivity and setting possibilities for many types of applications like school, kindergarten, church, sports field, multimedia presentation, party room and so on. It is a very versatile and affordable sound system.

The USB/SD-Card-Player can be operated directly or by using the supplied infrared remote control from the front or from the rear side of the speaker. Sim

IMPORTANT NOTICE: LOWER THE MP3 LEVEL IF YOU HAVE NO MP3 USB STICK OR SD CARD CONNECTED - OTHERWISE BACKGROUND NOISES COULD OCCUR!

ENGLISH

DEUTSCH

FRANCAIS

ESPAÑOL

POLSKI

ITALIANO

FEATURES:

ENGLISH

DEUTSCH

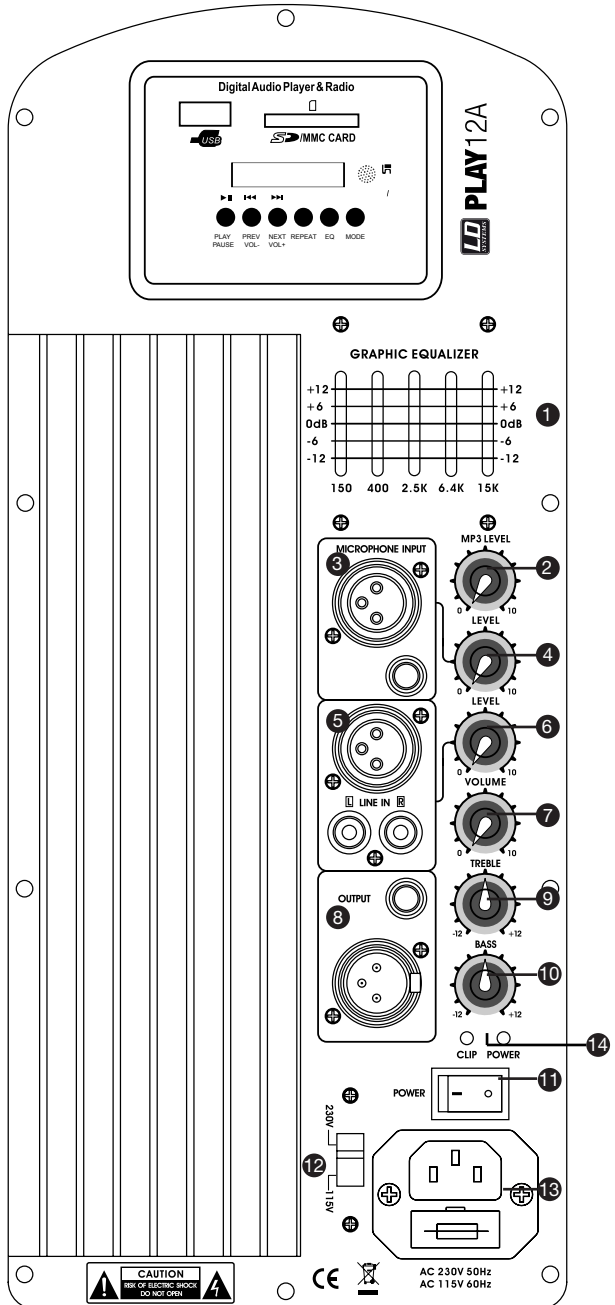
FRANCAIS

ESPAÑOL

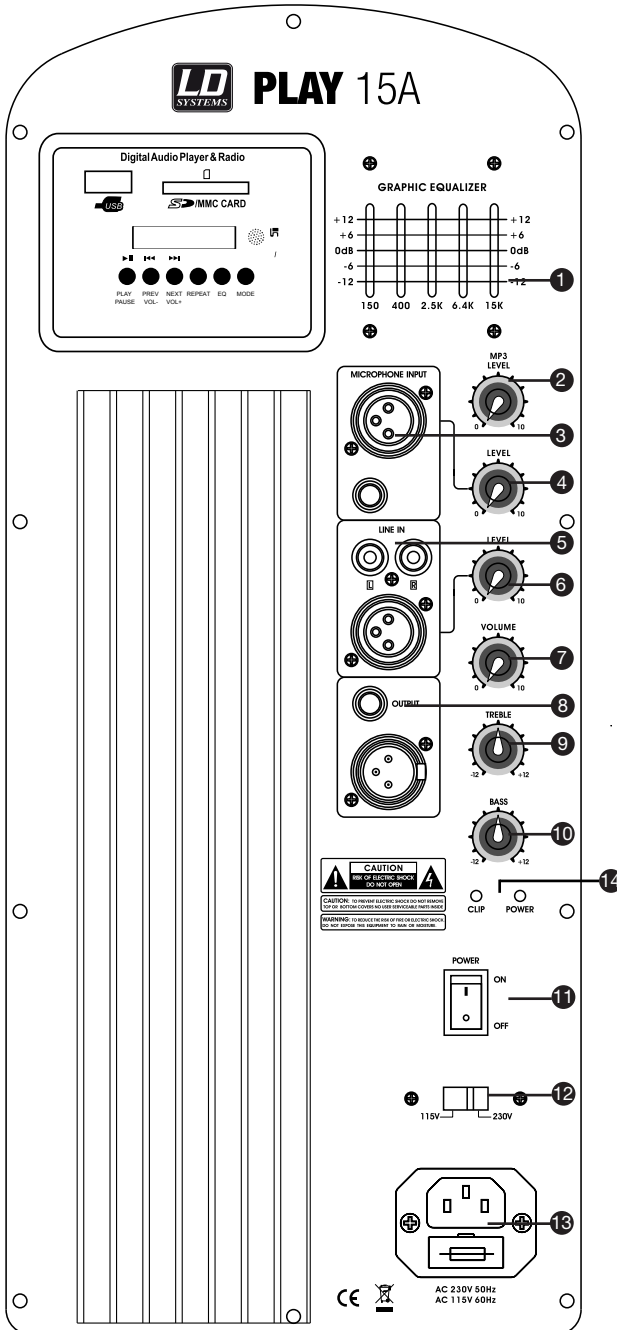
POLSKI

ITALIANO

- 1 GRAPHIC EQUALIZER**
5-band graphic equalizer
- 2 MP3 LEVEL**
Volume control for digital audio player
- 3 MICROPHONE INPUT**
Balanced XLR input / unbalanced jack input for microphones
- 4 MICROPHONE LEVEL**
Volume control for microphone input
- 5 LINE INPUTS**
Balanced XLR input / unbalanced cinch line input
- 6 LINE IN LEVEL**
Volume control for line input.
- 7 MASTER VOLUME**
Master volume control
- 8 LINE OUTPUTS**
Balanced XLR and jack mono outputs. The mixed input signals are split before the power amplifier unit and sent to this output. You can use this output, for example, to drive additional active speakers or amplifiers with the mixed input signals. **Important: This output signal is determined before the master tone controls and the master volume, so it is independent of other settings.**



FEATURES:



- 9 TREBLE**
Treble control
- 10 BASS**
Bass control
- 11 POWER SWITCH**
- 12 SWITCH 110 V / 230 V**
- 13 POWER CONNECTION SEAT**
Power connector socket (IEC plug) and fuse holder. The power connector must be disconnected whenever the fuse is replaced. If the fuse burns out repeatedly, the unit must be inspected by a specialist.
- 14 CLIP / POWER LED**
If the CLIP LED blinks or is on constantly, reduce volume.

ENGLISH

DEUTSCH

FRANCAIS

ESPAÑOL

POLSKI

ITALIANO

PLAYER:

ENGLISH

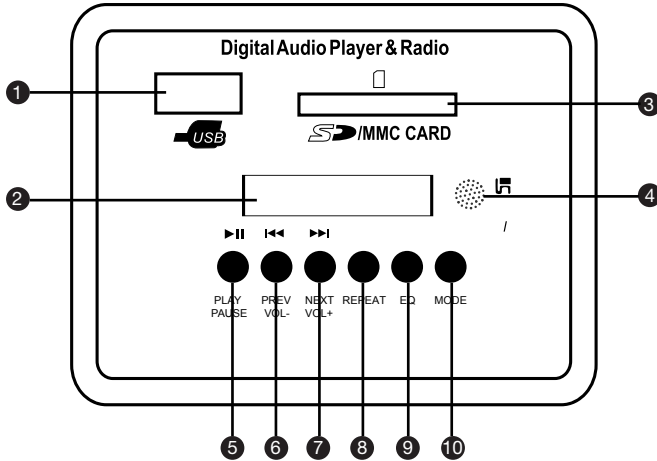
DEUTSCH

FRANCAIS

ESPAÑOL

POLSKI

ITALIANO



1 USB PORT

2 DISPLAY

Shows: Track No., Play / Pause, Volume, EQ Setting, USB / SD, Playing Time, Repeat (ONE / ALL), Mode (SD / MMC)

3 SD / MMC CARD SLOT

4 INFRARED RECEIVER FOR REMOTE CONTROL

5 PLAY / PAUSE

6 PREVIOUS SONG / REDUCE VOLUME

Press briefly to select the previous song; press longer to reduce volume.

7 NEXT SONG / INCREASE VOLUME

Press briefly to select the next song; press longer to increase volume.

8 REPEAT ONE / ALL

Repeats one or all songs.

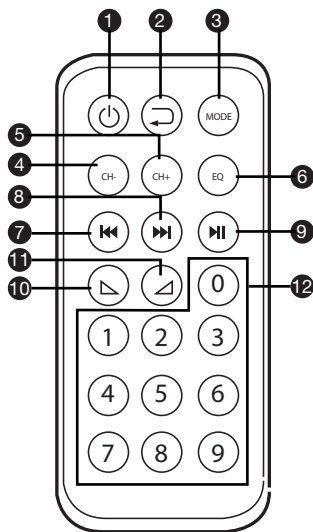
9 EQUALIZER

6 equalizer settings available.

10 MODE

Toggle between input sources (USB / SD)

REMOTE CONTROL:



1 PLAYER ON / OFF

2 REPEAT ONE / ALL

Repeats one or all songs.

3 MODE

Toggle between input sources (USB / SD)

4 NO FUNCTION

5 NO FUNCTION

6 EQUALIZER

6 equalizer settings available.

7 PREVIOUS SONG

8 NEXT SONG

9 PLAY / PAUSE

10 REDUCE VOLUME

11 INCREASE VOLUME

12 NUMERALS 0 - 9

Direct selection of tracks

ENGLISH

DEUTSCH

FRANCAIS

ESPAÑOL

POLSKI

ITALIANO



SPECIFICATIONS:

LD PLAY SERIES	12" VERSION	15" VERSION
Type	Bassreflex	Bassreflex
LF Transducer	12" Woofer	15" Woofer
HF Transducer	1.35" Compression Driver	1.75" Compression Driver
Dimensions (mm)	425 x 640 x 365	495 x 760 x 430
Weight (kg)	15	20
Power Output (W RMS) Peak	150 W + 30 W 350 W + 50 W	180 W + 40 W 390 W + 60 W
Amplification	BIAMPING CLASS A / B	BIAMPING CLASS A / B
SPL 1W/1m (dB)	97	98
SPL max (dB)	119	121
Frequency range (Hz)	60 - 18.000	55 - 18.000
HF horn dispersion H/V (°)	90 x 45	90 x 45
Indicators / Controls	Clip, Power / MP3 Level, Mic Level, Line Level, Master Volume, Treble, Bass, 5-Band Master EQ	
Connectors	INPUT: MIC (XLR, 6.3 MM JACK), LINE (XLR, 2 X RCA) OUTPUT: LINE (XLR, 6.3 MM JACK)	
Features	Digital Audio Player (USB & SD)	

ENGLISH

DEUTSCH

FRANCAIS

ESPAÑOL

POLSKI

ITALIANO

MANUFACTURER'S DECLARATIONS:

ENGLISH

DEUTSCH

FRANCAIS

ESPAÑOL

POLSKI

ITALIANO

LIMITED WARRANTY

This Limited Warranty applies to the Adam Hall, LD Systems, Defender, Palmer and Eminence branded products.

The statutory warranty rights towards the seller are not affected by this guarantee. In fact, it justifies, additional independent warranty claims towards Adam Hall.

Adam Hall warrants that the Adam Hall product you have purchased from Adam Hall or from an Adam Hall authorized reseller is free from defects in materials or workmanship under normal use for a period of 2 or 5 years from the date of purchase.

The Limited Warranty Period starts on the date of purchase. In order to receive warranty services you are required to provide proof of the purchase date. Your dated sales or delivery receipt, showing the date of purchase, is your proof of the purchase date. Should products of the brands named above be in need of repair within the limited warranty period, you are entitled to warranty services according to the terms and conditions stated in this document.

This Limited Warranty extends only to the original purchaser of this Adam Hall branded product and is not transferable to anyone who obtains ownership of the Adam Hall branded product from the original purchaser. During the Limited Warranty Period, Adam Hall will repair or replace the defective component parts or the product. All component parts or hardware products removed under this Limited Warranty become the property of Adam Hall.

In the unlikely event that your Adam Hall product has a recurring failure, Adam Hall, at its discretion, may elect to provide you with a replacement unit of Adam Hall's choice that is at least equivalent to your Adam Hall branded product in hardware performance.

Adam Hall does not warrant that the operation of this product will be uninterrupted or error-free. Adam Hall is not responsible for damage that occurs as a result of your failure to follow the instructions included with the Adam Hall branded product.

This Limited Warranty does not apply,

- to wear parts (e.g. accumulator)
- to any product from which the serial number has been removed or that has been damaged or rendered defective as the result of an accident
- in case of, misuse, abuse, or other external causes
- by operation outside the usage parameters stated in the user's documentation shipped with the product
- by use of spare parts not manufactured or sold by Adam Hall
- by modification or service by anyone other than Adam Hall

These terms and conditions constitute the complete and exclusive warranty agreement between you and Adam Hall regarding the Adam Hall branded product you have purchased.



MANUFACTURER'S DECLARATIONS:

LIMITATION OF LIABILITY

If your Adam Hall branded hardware product fails to work as warranted above, your sole and exclusive remedy shall be repair or replacement. Adam Halls' maximum liability under this limited warranty is expressly limited to the lesser of the price you have paid for the product or the cost of repair or replacement of any hardware components that malfunction in conditions of normal use.

Adam Hall is not liable for any damages caused by the product or the failure of the product, including any lost profits or savings or special, incidental, or consequential damages. Adam Hall is not liable for any claim made by a third party or made by you for a third party.

This limitation of liability applies whether damages are sought, or claims are made, under this Limited Warranty or as a tort claim (including negligence and strict product liability), a contract claim, or any other claim. This limitation of liability cannot be waived or amended by any person. This limitation of liability will be effective even if you have advised Adam Hall of an authorized representative of Adam Hall of the possibility of any such damages. This limitation of liability however, will not apply to claims for personal injury.

This Limited Warranty gives you specific legal rights. You may also have other rights that may vary from state to state or from country to country. You are advised to consult applicable state or country laws for a full determination of your rights.

REQUESTING WARRANTY-SERVICE

To request warranty service for the product, contact Adam Hall or the Adam Hall authorized reseller from which you purchased the product.

EC DECLARATION OF CONFORMITY

These devices meet the essential requirements and further relevant specifications of Directives 2004/108/EC (EMC) and 2006/95/EC (LVD). For more information, see www.adamhall.com.

CORRECT DISPOSAL OF THIS PRODUCT (ELECTRICAL WASTE)

(Applicable in the European Union and other European countries with separate collection systems)



This marking shown on the product or its literature, indicates that it should not be disposed with other household wastes at the end of its working life. To prevent possible harm to the environment or human health from uncontrolled waste disposal, please separate this from other types of wastes and recycle it responsibly to promote the sustainable reuse of material resources.

Household users should contact either the retailer where they purchased this product, or their local government office, for details on where and how they can recycle this item in an environmentally friendly manner.

Business users should contact their supplier and check the terms and conditions of the purchase contract. This product should not be mixed with other commercial wastes for disposal.

WEEE-DECLARATION

Your LD-Systems product was developed and manufactured with high quality materials and components which can be recycled and/or reused. This symbol indicates that electrical and electronic equipment must be disposed of separately from normal waste at the end of its operational lifetime.

Please dispose of this product by bringing it to your local collection point or recycling centre for such equipment. This will help to protect the environment in which we all live.

BATTERIES AND ACCUMULATORS

The supplied batteries or rechargeable batteries can be recycled. Please dispose of them as special waste or return them to your specialist dealer. In order to protect the environment, only dispose exhausted batteries.

Adam Hall GmbH, all rights reserved. The technical data and the functional product characteristics can be subject to modifications. The photocopying, the translation, and all other forms of copying of fragments or of the integrality of this user's manual is prohibited.



ENGLISH

DEUTSCH

FRANCAIS

ESPAÑOL

POLSKI

ITALIANO

Sie haben die richtige Wahl getroffen!

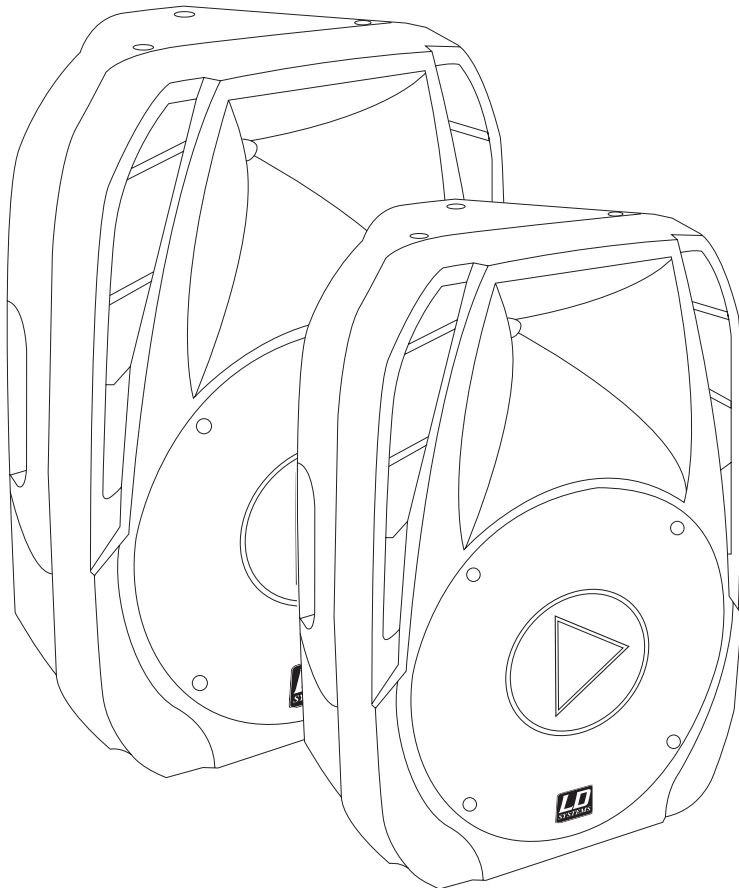
Diese LD-Systems Produkte werden Sie lange Jahre durch Zuverlässigkeit, Wirtschaftlichkeit und einfaches Handling überzeugen. Dafür garantiert LD-Systems mit seinem Namen und seiner in vielen Jahren erworbenen Kompetenz als Hersteller hochwertiger Geräte.

Nehmen Sie sich nun ein paar Minuten Zeit, diese Anleitung zu lesen. Wir möchten, dass Sie einfach und schnell in den Genuss dieser Technik kommen.

Mehr Informationen zu LD-SYSTEMS finden Sie auf unserer Internetseite WWW.LD-SYSTEMS.COM

LD **PLAY** SERIES

AKTIVE 12"/15" **PA LAUTSPRECHER**



ENGLISH

DEUTSCH

FRANCAIS

ESPAÑOL

POLSKI

ITALIANO

VORSICHTSMASSNAHMEN:

1. Bitte beachten Sie die Sicherheitshinweise und studieren Sie diese Anleitung sorgfältig.
2. Bewahren Sie alle Hinweise und Anleitungen sicher auf.
3. Verwenden Sie das Gerät nur in der vorgesehenen Art und Weise.
4. Beachten die in Ihrem Land geltenden Entsorgungsgesetze. Trennen Sie bei der Entsorgung bitte Plastik und Papier bzw. Kartonagen von einander.
5. Sollte Ihr Gerät nicht mehr ordnungsgemäß funktionieren, Flüssigkeiten ausgesetzt werden oder auf sonstige Art und Weise beschädigt sein, überlassen Sie bitte jegliche Reparaturen ausschließlich autorisiertem Fachpersonal.
6. Halten Sie das Gerät von Hitzequellen wie z.B. Ofen, Heizkörper, oder sonstige Quellen (auch Verstärker) fern. Sorgen Sie dafür dass das Gerät immer so installiert ist, dass es ausreichend gekühlt wird und nicht überhitzt.
7. Überprüfen Sie alle Verbindungen nach dem Sie das Gerät angeschlossen haben um Schäden oder Unfälle zu vermeiden.
8. Verwenden Sie ausschließlich stabile und passende Stative bzw. Befestigungen wenn das Gerät fest installiert wird. Stellen Sie sicher, dass das Gerät sicher installiert ist und nicht herunterfallen kann.



ACHTUNG:

Entfernen Sie niemals die Abdeckung, da sonst die Gefahr eines elektrischen Schocks besteht. Im Inneren des Gerätes befinden sich keine Teile, die vom Bediener gewartet oder repariert werden können. Lassen Sie Reparaturen ausschließlich von qualifiziertem Servicepersonal durchführen.



Dieses Symbol warnt vor nichtisolierten, gefährlichen Spannungen im Geräteinneren, die einen gefährlichen Schlag verursachen können.



Dieses Symbol kennzeichnet wichtige Bedienungs- und Wartungshinweise.

Vorsicht! Hohe Lautstärke!

Diese Übertragungsanlage wird von Ihnen professionell eingesetzt. Daher unterliegt der Gebrauch bei gewerblicher Nutzung den Regeln und Vorschriften der zuständigen Berufsgenossenschaft. Adam Hall als Hersteller ist daher verpflichtet, Sie auf möglicherweise bestehende gesundheitliche Risiken ausdrücklich hinzuweisen.

Mit diesen Lautsprechern können hohe Schalldrücke erzeugt werden. 85db ist der Schalldruck, der laut Gesetz als maximal zulässiger Wert über die Dauer eines Arbeitstages auf Ihr Gehör einwirken darf. Er wird nach den Erkenntnissen der Arbeitsmedizin als Beurteilungspegel zu Grunde gelegt. Höhere Lautstärken oder längere Einwirkzeit können Ihr Gehör schädigen. Bei höheren Lautstärken muss die Hörzeit verkürzt werden, um eine Schädigung auszuschließen. Sichere Warnsignale dafür, dass Sie sich zu lange zu lautem Geräusch ausgesetzt haben, sind:

- Sie hören Klingel- oder Pfeifgeräusche in den Ohren!
- Sie haben den Eindruck, hohe Töne nicht mehr wahrzunehmen!

EINLEITUNG:

Die aktiven Lautsprecherboxen LDPLAY12A und LDPLAY15A mit integriertem USB/SD-Card- Player mit beleuchtetem Display sind durch ihre umfangreichen Anschluss- und Regelmöglichkeiten in vielfältigsten Einsatzbereichen wie Schule, Kindergarten, Kirche, Sportplatz, Multimedia Vorführungen, Partykeller usw. die ideale Beschallungslösung.

Der Player lässt sich mit Hilfe der mitgelieferten Infrarot-Fernbedienung von der Rückseite und der Vorderseite aus kontrollieren. Einfach einen USB-Stick oder eine SD-Karte mit MP3-Songs einstecken und los geht's.

Anschlussmöglichkeiten für externe Signalquellen wie Mikrofon, CD-Player und Mischpult sind ebenso vorhanden, so wie einen 5-Band grafischer Equalizer, der die Klangeinstellung eines nahezu jeden Hörgeschmackes zulässt. Ergonomische Tragegriffe und ein Standard 35 mm Boxen-ständerflansch runden die umfangreiche Ausstattung sinnvoll ab.

WICHTIGER HINWEIS: VERRINGERN SIE DEN MP3 LEVEL WENN SIE KEINEN MP3 USB STICK ODER EINE SD KARTE ANGESCHLOSSEN HABEN - ANDERNFALLS KÖNNTEN STÖRGERÄUSCHE AUFTRETEN!

ENGLISH

DEUTSCH

FRANCAIS

ESPAÑOL

POLSKI

ITALIANO

FUNKTIONEN:

ENGLISH

DEUTSCH

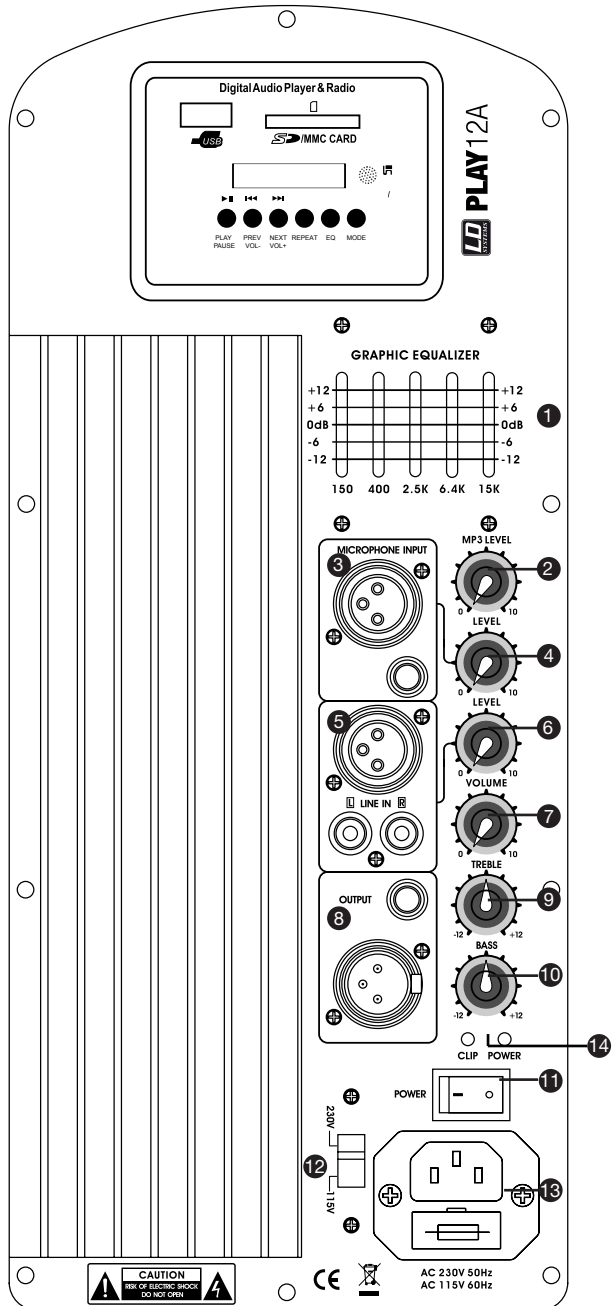
FRANCAIS

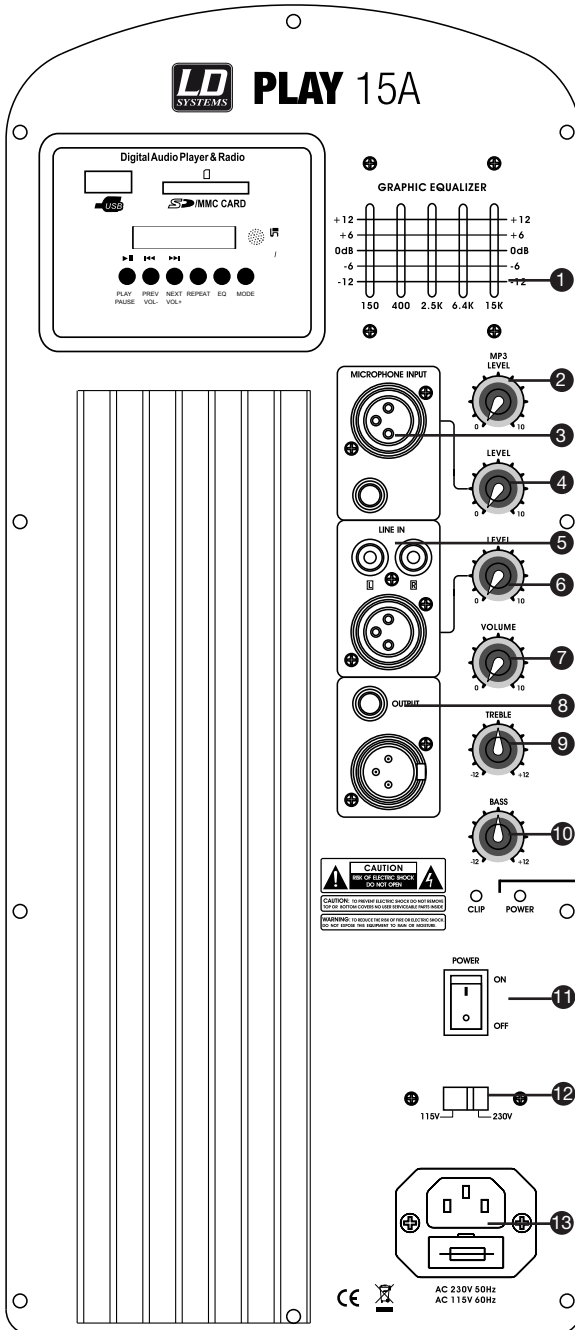
ESPAÑOL

POLSKI

ITALIANO

- 1 **GRAPHIC EQUALIZER**
5-Band grafischer Equalizer
- 2 **MP3 LEVEL**
Lautstärkereglер für digitalen Audio Player
- 3 **MICROPHONE INPUT**
Symmetrischer XLR- Eingang / Unsymmetrischer Klinkeneingang für Mikrofone
- 4 **MICROPHONE LEVEL**
Lautstärkereglер für Mikrofoneingang
- 5 **LINE INPUTS**
Symmetrischer XLR / Unsymmetrischer Cinch Lineeingang
- 6 **LINE IN LEVEL**
Lautstärkereglер für Line Eingang.
- 7 **MASTER VOLUME**
Gesamtlautstärkereglер
- 8 **LINE OUTPUTS**
Symmetrischer Mono Ausgang in XLR – und Klinkenausführung. Die zusammengemischten Eingangssignale werden vor der Endstufeneinheit abgezweigt und zu diesem Ausgang geleitet. Sie können diesen Ausgang beispielsweise dafür verwenden, um mit den gemischten Eingangssignalen weiteren aktive Lautsprecher oder Verstärker anzusteuern.
Wichtig: Dieses Ausgangssignal wird vor der Masterklangregelung und dem Mastervolumen bestimmt, ist also unabhängig von anderen Einstellungen.





FUNKTIONEN:

- 9 **TREBLE**
Höhenregler
- 10 **BASS**
Bassregler
- 11 **POWER SWITCH**
- 12 **BETRIEBSSPANNUNGSSCHALTER**
- 13 **POWER CONNECTION SEAT**
Anschlussbuchse 230 V (Kaltgerätestecker) und Sicherungshalter. Die Sicherung nur bei gezogenem Netzstecker auswechseln. Brennt die Sicherung wiederholt durch, muss das Gerät durch einen Fachbetrieb geprüft werden.
- 14 **CLIP / POWER LED**
Blinkt bzw. leuchtet die CLIP LED permanent, lautstärke senken.

ENGLISH

DEUTSCH

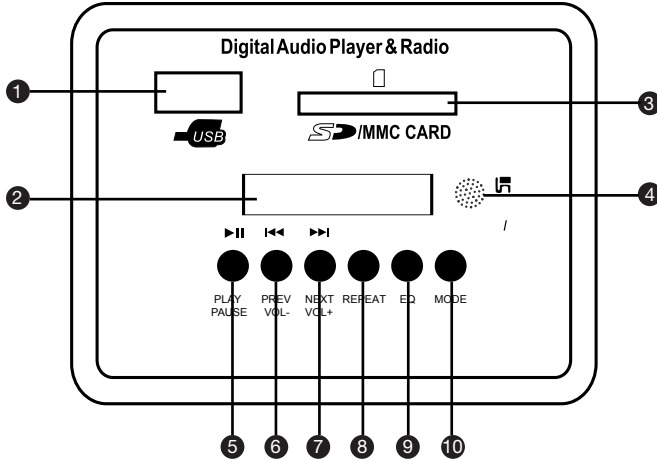
FRANCAIS

ESPAÑOL

POLSKI

ITALIANO

PLAYER:



1 USB PORT

2 DISPLAY

Zeigt: Titel Nr., Play / Pause, Lautstärke, EQ Einstellung, USB / SD, Spielzeit, Repeat (ONE / ALL), Mode (SD / MMC)

3 SD / MMC CARD SLOT

4 INFRAROT EMPFÄNGER FÜR FERNBEDIENUNG

5 PLAY / PAUSE

6 VORHERIGER SONG / LAUTSTÄRKE VERRINGERN

Kurz gedrückt wählt das vorherige Lied, lang gedrückt verringert die Lautstärke.

7 NÄCHSTER SONG / LAUTSTÄRKE ERHÖHEN

Kurz gedrückt wählt das nächste Lied, lang gedrückt erhöht die Lautstärke.

8 REPEAT ONE / ALL

Wiederholt ein Lied oder alle Lieder.

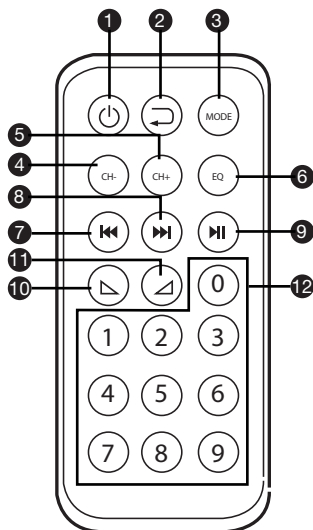
9 EQUALIZER

6 Equalizer Einstellungen verfügbar.

10 MODE

Zwischen den Eingangsquellen wechseln (USB / SD)

FERNBEDIENUNG:



- 1 **PLAYER ON / OFF**
- 2 **REPEAT**
- 3 **MODE**
- 4 **KEINE FUNKTION**
- 5 **KEINE FUNKTION**
- 6 **EQUALIZER**
- 7 **VORHERIGER SONG**
- 8 **NÄCHSTER SONG**
- 9 **PLAY / PAUSE**
- 10 **LEISER**
- 11 **LAUTER**
- 12 **ZIFFERN 0 - 9**
Direktanwahl der Tracks

ENGLISH

DEUTSCH

FRANCAIS

ESPAÑOL

POLSKI

ITALIANO

SPEZIFIKATIONEN:

LD PLAY SERIES	12" VERSION	15" VERSION
Type	Bassreflex	Bassreflex
LF Transducer	12" Woofer	15" Woofer
HF Transducer	1.35" Compression Driver	1.75" Compression Driver
Dimensions (mm)	425 x 640 x 365	495 x 760 x 430
Weight (kg)	15	20
Power Output (W RMS) Peak	150 W + 30 W 350 W + 50 W	180 W + 40 W 390 W + 60 W
Amplification	BIAMPING CLASS A / B	BIAMPING CLASS A / B
SPL 1W/1m (dB)	97	98
SPL max (dB)	119	121
Frequency range (Hz)	60 - 18.000	55 - 18.000
HF horn dispersion H/V (°)	90 x 45	90 x 45
Indicators / Controls	Clip, Power / MP3 Level, Mic Level, Line Level, Master Volume, Treble, Bass, 5-Band Master EQ	
Connectors	INPUT: MIC (XLR, 6.3 MM JACK), LINE (XLR, 2 X RCA) OUTPUT: LINE (XLR, 6.3 MM JACK)	
Features	Digital Audio Player (USB & SD)	

GARANTIEBESTIMMUNGEN

Diese Garantie erstreckt sich auf die Marken Adam Hall, LD Systems, Defender, Palmer und Eminence.

Die gesetzlichen Gewährleistungsrechte gegenüber dem Verkäufer werden von dieser Garantie nicht berührt. Vielmehr begründet diese Garantie zusätzliche selbständige Ansprüche gegenüber Adam Hall.

Mit dieser Garantie stellt Adam Hall sicher, dass das von Ihnen bei Adam Hall oder einem Adam Hall Partner erworbene Produkt bei normalem Gebrauch während des Zeitraums von 2 bzw. 5 Jahren ab Kaufdatum frei von Material- oder Verarbeitungsfehlern ist.

Der Garantiezeitraum beginnt mit dem Datum des Kaufs.

Der Geltendmachung eines Anspruchs auf Garantieleistungen erforderliche Nachweis des Kaufdatums, erfolgt durch die mit dem Kaufdatum versehene Quittung oder den mit dem Kaufdatum versehenen Lieferschein. Sie haben Anspruch auf den Garantieservice zu den in diesem Dokument aufgeführten Bedingungen und Bestimmungen, falls eine Reparatur der unter den oben genannten Marken vertriebenen Produkte innerhalb des Garantiezeitraums erforderlich ist.

Diese Garantie gilt nur für den ursprünglichen Käufer des von Adam Hall vertriebenen Produkts und ist nicht an Personen übertragbar, denen vom ursprünglichen Käufer das Eigentum am Adam Hall Produkt übertragen wird. Innerhalb des Garantiezeitraums werden die fehlerhaften Komponenten oder das Produkt von Adam Hall repariert oder ersetzt. Alle im Rahmen dieser Garantie entfernten Komponenten und Hardware-Produkte gehen in das Eigentum von Adam Hall über.

In dem unwahrscheinlichen Fall, dass bei dem von Ihnen erworbenen Adam Hall Produkt ein Fehler wiederholt auftritt, kann Adam Hall nach eigenem Ermessen entscheiden, Ihnen dieses Produkt durch ein vergleichbares Produkt mit mindestens derselben Leistung zu ersetzen.

Adam Hall übernimmt keine Garantie für einen störungs- oder fehlerfreien Betrieb dieses Produkts. Adam Hall übernimmt keine Verantwortung für auf eine inkorrekte Befolgung der im Lieferumfang des Adam Hall erhaltenen Anweisungen zurückzuführende Schäden.

Diese Garantie erstreckt sich nicht auf

-Verschleißteile (z.B. Akkumulator).

-Geräte deren Seriennummer entfernt wurde oder die beschädigt oder fehlerhaft wurden als Folge eines Unfalls

-nicht sachgerechter oder missbräuchlicher Verwendung oder anderer missbräuchlicher Verwendung oder anderer äußerer Ursachen,

-Geräte die nicht entsprechend den Betriebsparametern betrieben wurden, die in den im Lieferumfang des Produkts enthaltenen Benutzerunterlagen festgelegt sind

-Geräte die aufgrund der Verwendung nicht von Adam Hall hergestellter oder vertriebener Teile repariert wurde

- Geräte die durch Änderung oder Wartung durch jemand anderen als Adam Hall getätigt wurde.

Diese Bestimmungen und Bedingungen stellen die vollständige und ausschließliche Garantievereinbarung zwischen Ihnen und Adam Hall für das von Ihnen erworbene Adam Hall Produkt dar.

HAFTUNGSBESCHRÄNKUNG

Wenn das unter der Marke Adam Hall vertriebene Produkt nicht entsprechend der obigen Garantie funktioniert, besteht Ihr alleiniger und ausschließlicher Anspruch aus dieser Garantie in der Reparatur oder dem Ersatz. Weitergehende Gewährleistungsansprüche bleiben hiervon unberührt. Die maximale Haftung von Adam Hall im Rahmen dieser Garantie ist ausdrücklich beschränkt auf den jeweils niedrigeren Betrag, der sich entweder aus dem Kaufpreis für das Produkt oder aus den Reparatur- bzw. Ersatzkosten von Hardware-Komponenten, die bei normalem Gebrauch nicht Ordnungsgemäß funktionieren, ergibt.

Adam Hall haftet aus dieser Garantie nicht für durch das Produkt oder sein versagen verursachte Schäden, einschließlich entgangener Gewinne, unterbliebener Einsparungen oder besonderer, indirekter oder Folgeschäden. Adam Hall haftet zudem nicht für von Dritten oder von ihnen für Dritte geltend gemachte Ansprüche.

Diese Haftungsbeschränkung gilt unabhängig davon, ob Schäden gerichtlich verfolgt werden, ob Schadenersatzansprüche im Rahmen dieser Garantie oder aufgrund unerlaubter Handlungen (Einschließlich Fahrlässigkeit und Gefährdungshaftung) oder aufgrund vertraglicher bzw. sonstiger Ansprüche gestellt werden. Diese Haftungsbeschränkung kann von keiner Person aufgehoben oder ergänzt werden. Diese Haftungsbeschränkung gilt auch dann, wenn sie Adam Hall über die Möglichkeit derartiger Schäden informiert haben. Sie gilt jedoch nicht für Ansprüche aus Personenschäden.

Aus dieser Garantie ergeben sich für Sie bestimmte Rechte. Möglicherweise haben Sie weitere Rechte, die Ihnen von Staat zu Staat und von Land zu Land unterschiedlich sein können. Es ist ratsam, die entsprechenden Gesetze des Staates bzw. Landes heranzuziehen, um Ihre Rechte umfassend zu ermitteln.

INANSPRUCHNAHME DES REPARATURSERVICE

Um den Garantieservice bzw. Reparaturservice für das Produkt in Anspruch zu nehmen, wenden Sie sich bitte an Adam Hall oder an einen Adam Hall Partner, bei dem Sie das Produkt erworben haben.

EG-KONFORMITÄTserklärung

Diese Geräte entsprechen den grundlegenden Anforderungen und den weiteren Vorgaben der Richtlinien 2004/108/EC (EMC) und 2006/95/EC (LVD). Weitere Informationen finden Sie unter www.adamhall.com.

KORREKTE ENTSORGUNG DIESES PRODUKTES

(Gültig in der Europäischen Union)



Dieses Symbol (entweder auf dem Gerät oder dem dazugehörigen Handbuch) weist darauf hin, dass das Gerät nicht mit dem normalen Hausmüll entsorgt werden darf. Um mögliche Schäden an der Umwelt und an Personen zu verhindern, entsorgen Sie dieses Gerät bitte fachgerecht bei einer entsprechenden Stelle für Elektromüll.

Als Privatkunde Informieren Sie sich bitte beim Hersteller oder bei Ihrer Gemeinde über die Möglichkeiten der korrekten Entsorgung.

Als Geschäftskunde kontaktieren Sie bitte Ihren Lieferanten und prüfen Sie die Konditionen zur Entsorgung der Geräte. Dieses Produkt sollte nicht mit anderem gewerblichen Abfall entsorgt werden.

WEEE-DEKLARATION



Ihr LD-Systems Produkt wurde unter der Verwendung hochwertiger Materialien und Komponenten die wiederverwertet oder wieder verwendet werden können hergestellt. Dieses Symbol weist darauf hin, dass elektronische Geräte nicht im normalen Hausmüll entsorgt werden dürfen. Entsorgen Sie dieses Gerät bitte fachgerecht bei einer entsprechenden Stelle für Elektromüll und helfen Sie dabei unsere Umwelt zu schützen.

BATTERIEN UND AKKUS



Die mitgelieferten Batterien können wiederverwertet werden. Werfen Sie die Batterien daher nicht in den normalen Hausmüll sondern in gesonderte dafür vorgesehene Container. Helfen Sie, unsere Umwelt sauber zu halten.

Adam Hall GmbH, alle Rechte vorbehalten. Änderungen der Technischen Daten und Produktmerkmale vorbehalten. Das Erstellen von Fotokopien, Übersetzungen und anderen Reproduktionen dieser Bedienungsanleitung oder Teilen derselben ohne vorherige Genehmigung ist untersagt.



ENGLISH

DEUTSCH

FRANCAIS

ESPAÑOL

POLSKI

ITALIANO

Merci d'avoir choisi LD-Systems!

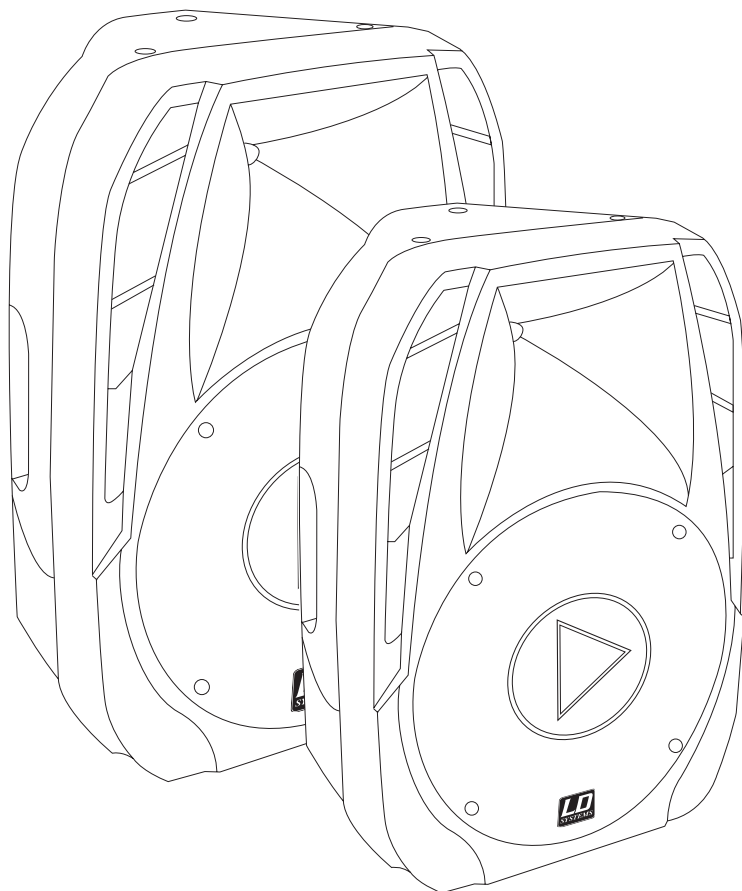
Nous avons conçu ce produit afin de vous offrir un matériel fiable, qui vous accompagnera durant de longues années. En achetant l'un des produits de la marque LD-Systems vous bénéficiez de notre compétence reconnue et de nos nombreuses années d'expérience en tant que fabricant. Notre nom est notre garantie.

Veuillez s'il-vous-plait prendre quelques minutes pour lire attentivement ces instructions d'utilisation car nous souhaitons que vous puissiez profiter pleinement et au plus vite de votre matériel LD-Systems.

Pour plus d'informations sur LD-Systems venez visiter notre site WWW.LD-SYSTEMS.COM

LD GAMME **PLAY**

ENCEINTES DE SONORISATION AMPLIFIÉES 12"/15"



ENGLISH

DEUTSCH

FRANCAIS

ESPAÑOL

POLSKI

ITALIANO

PRÉCAUTIONS D'UTILISATION:

1. Veuillez lire attentivement les précautions d'utilisation et les instructions suivantes.
2. Veuillez conserver ce manuel d'utilisation.
3. Veuillez utiliser cet appareil uniquement conformément à son but d'utilisation initial.
4. Veuillez respecter les règles de traitement des déchets. Veuillez s'il-vous-plait séparer les déchets plastiques des déchets papiers et les déposer dans un bac à ordures adéquat.
5. En cas de panne, de dommage, d'exposition de l'appareil à la pluie ou autres liquides, veuillez contacter une personne qualifiée pour le service après-vente de nos produits.
6. Veuillez ne pas exposer ce produit à des sources de chaleur, telles que les fours, les radiateurs ou tout autre appareil produisant de la chaleur (notamment les amplificateurs de puissance). Pour éviter les risques de surchauffe veuillez à ce que l'appareil ne soit pas placé trop près d'un mur, ou enfermé dans un boîtier, pour que la circulation de l'air ne soit pas obstruée.
7. Après avoir connecté votre appareil veuillez inspecter le câblage pour éviter les risques d'accident ou d'avarie. Veuillez ne jamais utiliser de câbles endommagés.
8. Veuillez utiliser uniquement les accessoires et supports de fixation fournis ou recommandés par le constructeur. Assurez vous de la stabilité de votre installation avant d'utiliser votre matériel, vous éviterez les risques de chutes et donc de dommages de l'appareil.
9. Apparition d'interférences lors de l'usage de systèmes HF sans fil.
L'utilisation simultanée de micros sans fil et de téléphones portables (si les deux appareils sont peu éloignés l'un de l'autre) peut générer des interférences au niveau du microphone. Ces interférences sont audibles dans les haut-parleurs de votre système de sonorisation lorsque le système sans fil y est relié.



DANGER:

Pour réduire les risques de choc électrique veuillez ne pas retirer le couvercle (ou la face arrière) de l'appareil. Les pièces situées à l'intérieur de l'appareil ne doivent pas être manipulées par l'utilisateur. Veuillez contacter exclusivement une personne qualifiée pour le service après-vente de nos produits.



L'éclair finissant par une flèche, entouré d'un triangle équilatéral vous indique la présence à l'intérieur du boîtier de pièces non isolées, représentant un risque de "haute tension électrique" et pouvant par conséquent blesser les personnes.



Le point d'exclamation, entouré d'un triangle équilatéral, vous indique la présence d'instructions importantes quant-à l'utilisation et à l'entretien dans la brochure fournie avec le produit.

ATTENTION! NIVEAU SONORE ÉLEVÉ!

Vous allez utiliser ce système de transmission sans fil à des fins professionnelles. Dans ce cas l'utilisation de ce produit est soumise à des règles et à des directives définies par votre organisme professionnel de prévention des accidents du travail. En tant que fabricant, Adam Hall se doit de vous mettre en garde formellement sur les risques éventuels que cet appareil peut présenter pour votre santé.

Ce système est capable de générer une pression acoustique supérieure à 80dB. 85dB est la limite légale du niveau sonore à laquelle votre ouïe peut être soumise lors d'une journée de travail. Cette valeur a été fixée par la médecine du travail comme valeur de référence pour la mesure du niveau sonore. Vous exposer à des niveaux sonores plus élevés, ou sur une durée plus longue peut endommager votre ouïe. Si vous vous exposez à des pressions acoustiques supérieures à la limite légale, pensez à raccourcir le temps d'exposition pour vous protéger d'éventuelles dégradations de votre ouïe. Voici quelques signes pouvant vous alerter d'une exposition trop longue à un niveau sonore trop élevé :

- Vous entendez des sons de cloche, de sonnerie ou des sifflements !
- Vous avez l'impression de ne plus entendre les sons aigus !

INTRODUCTION :

Les enceintes actives LD PLAY 12 A et LD PLAY 15 A intègrent un lecteur MP3 sur clé USB / un lecteur de carte SD et un tuner FM avec écran rétro-éclairé. Elles offrent une connectique complète et des possibilités de réglage étendues, leur ouvrant de nombreux types d'applications : école, jardin d'enfants, lieux de culte, salle ou terrain de sports, présentations multimédia, sonorisation musicale, etc. Un système actif polyvalent, d'un excellent rapport qualité/prix.

Le lecteur MP3 peut se commander indifféremment via la télécommande infrarouge incluse, depuis le panneau arrière ou la face avant. Il suffit d'insérer votre clé USB ou votre carte SD contenant les fichiers MP3, et que la musique soit !

Vous pouvez également connecter différentes sources de signal : microphone, lecteur de CD ou table de mixage externe. L'enceinte intègre également un égaliseur graphique 5 bandes, permettant d'optimiser la restitution sonore en fonction des goûts de chacun. L'enceinte possède également des poignées de transport ergonomiques et une embase de 35 mm de diamètre pour trépied standard.

IMPORTANT : VEUILLEZ BAISSER LE VOLUME DU LECTEUR MP3/SD LORSQU'AUCUNE CLÉ USB MP3 OU CARTE SD N'EST CONNECTÉE – VOUS RISQUEZ SINON L'APPARITION DE BRUITS PARASITES !

ENGLISH

DEUTSCH

FRANCAIS

ESPAÑOL

POLSKI

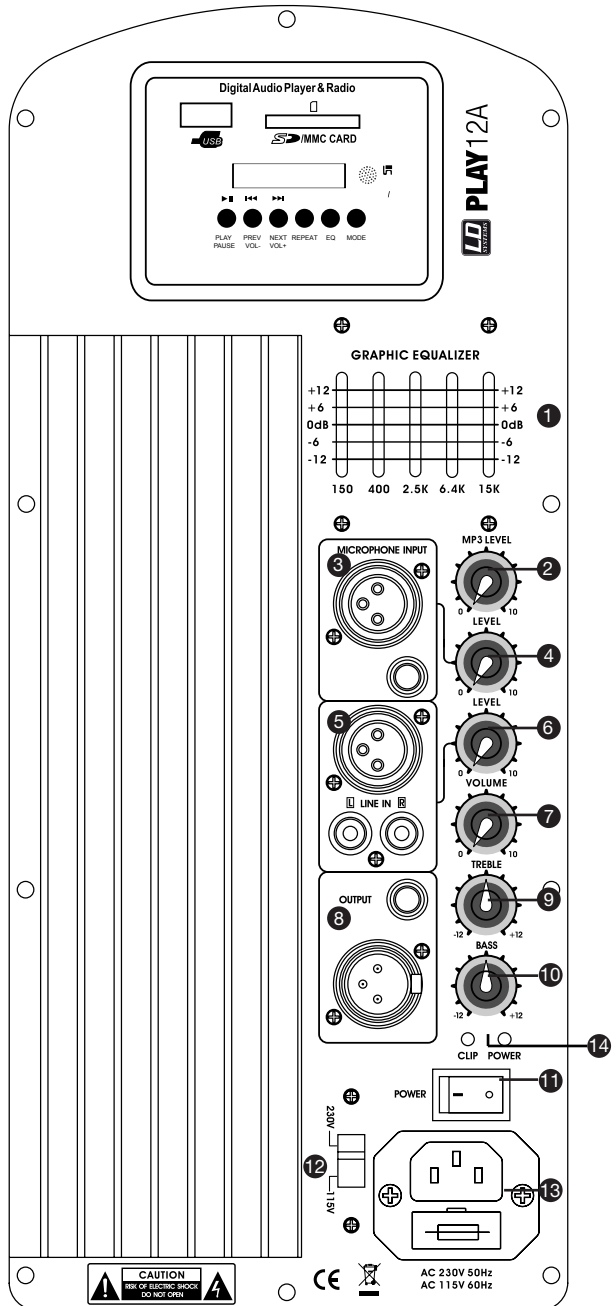
ITALIANO

FONCTIONNALITÉS :

- 1 ÉGALISEUR GRAPHIQUE**
Égaliseur graphique 5 bandes
- 2 LECTEUR MP3**
Potentiomètre de réglage de volume du lecteur audio intégré
- 3 ENTRÉE MICROPHONE**
Entrée symétrique sur connecteur XLR / entrée asymétrique sur jack, pour microphone
- 4 MICROPHONE LEVEL**
Potentiomètre de réglage de sensibilité de l'entrée micro
- 5 ENTRÉE LIGNE**
Entrée symétrique sur connecteur XLR / entrée asymétrique sur jack, au niveau ligne
- 6 LINE IN LEVEL**
Potentiomètre de réglage de sensibilité de l'entrée ligne
- 7 VOLUME MASTER**
Réglage devolume global
- 8 SORTIE LIGNE**

Sortie mono symétrique, sur connecteur XLR et jack. Ces connecteurs de sortie renvoient le mixage des différents signaux d'entrée de l'enceinte, tel que reproduit par l'amplificateur intégré. Ils peuvent servir, par exemple, à diffuser le signal mixé dans l'enceinte via une autre enceinte active ou un autre système d'écoute avec amplificateur.

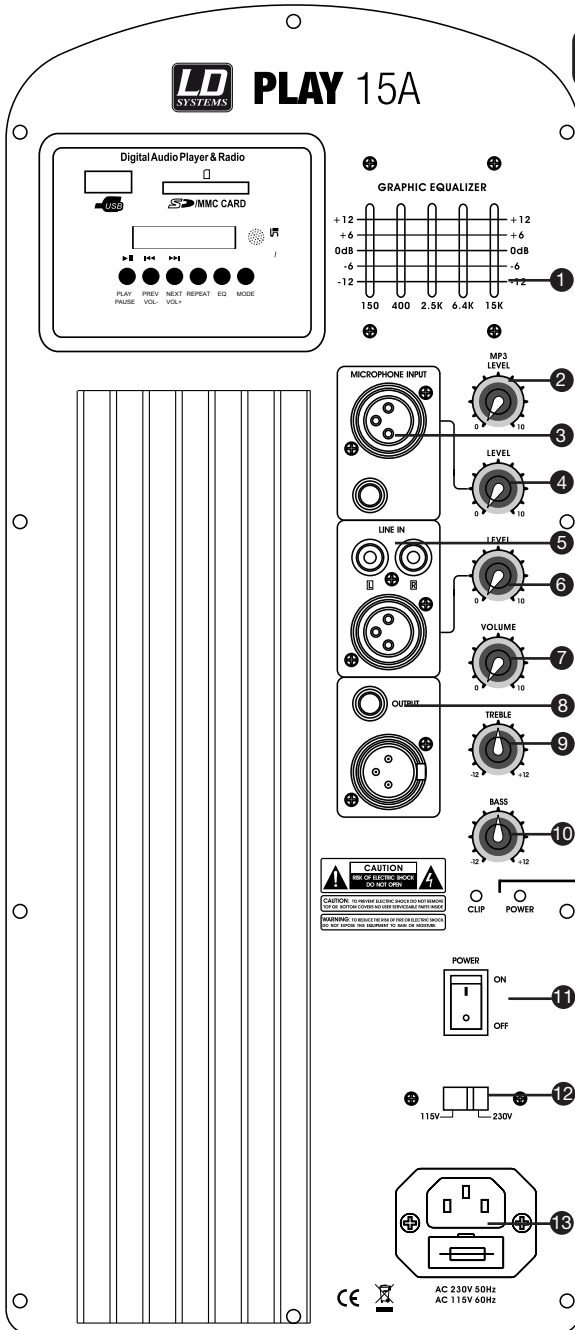
Important !! Ce signal de sortie est prélevé avant réglage de volume général et avant correcteur.
Il est également indépendant des autres réglages.



CAUTION
RISK OF ELECTRIC SHOCK
DO NOT OPEN



AC 230V 50Hz
AC 115V 60Hz



FONCTIONNALITÉS :

- 9 TREBLE**
Potentiomètre de réglage d'aigus
- 10 BASS**
Potentiomètre de réglage des graves
- 11 INTERRUPTEUR DE MISE SOUS TENSION (POWER)**
- 12 INTERRUPTEUR DE MISE SOUS TENSION**
- 13 EMBASE D'ALIMENTATION**
Embase d'alimentation 230 V (connecteur IEC) et porte-fusibles. Toujours débrancher le cordon d'alimentation avant de remplacer le fusible. Si le fusible saute à plusieurs reprises, l'appareil doit être testé par un spécialiste.
- 14 LED CLIP / POWER**
Si la LED CLIP clignote de façon répétée ou reste allumée, il faut réduire le volume sonore.

ENGLISH

DEUTSCH

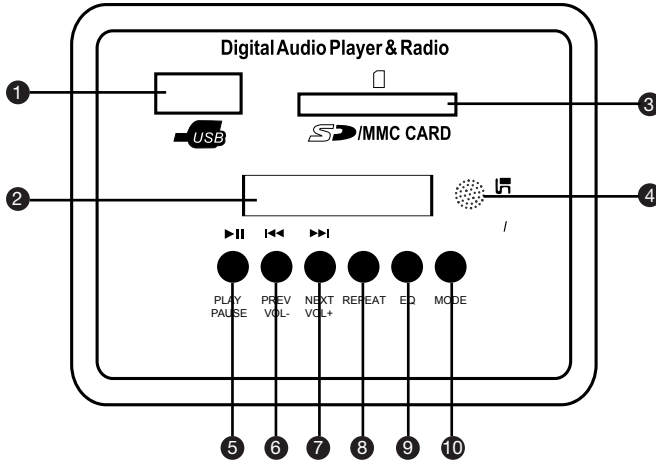
FRANCAIS

ESPAÑOL

POLSKI

ITALIANO

LECTEUR MP3 :



1 PORT USB

2 AFFICHEUR LED

Indique : Numéro du titre, lecture/pause, volume, réglage d'EQ, USB/SD, durée de lecture ,Repeat (ONE/ALL), Mode (SD/MMC)

3 SLOT POUR CARTE SD/MMC

4 RÉCEPTEUR INFRAROUGE POUR TÉLÉCOMMANDE

5 PLAY / PAUSE

6 MORCEAU PRÉCÉDENT / RÉDUCTION DU VOLUME SONORE

Sur pression courte, retour au morceau précédent ; sur pression longue, réduction du volume sonore.

7 MORCEAU SUIVANT / AUGMENTATION DU VOLUME SONORE

Sur pression courte, passage au morceau suivant ; sur pression longue, augmentation du volume sonore.

8 REPEAT ONE / ALL

Répétition en lecture d'un seul morceau ou de tous les morceaux.

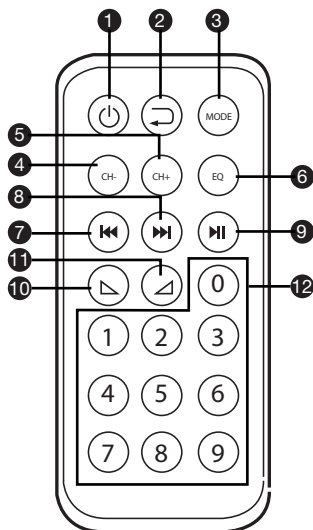
9 ÉGALISEUR

6 pré-réglages d'égaliseur sont disponibles.

10 MODE

Choix entre les sources d'entrée (USB/SD)

TÉLÉCOMMANDE :



- ❶ **PLAYER ON / OFF**
- ❷ **REPEAT**
- ❸ **MODE**
- ❹ **PAS DE FONCTION**
- ❺ **PAS DE FONCTION**
- ❻ **ÉGALISEUR**
- ❼ **MORCEAU PRÉCÉDENT**
- ❽ **MORCEAU SUIVANT**
- ❾ **PLAY / PAUSE**
- ❿ **RÉDUCTION DU VOLUME SONORE**
- ⓫ **AUGMENTATION DU VOLUME SONORE**
- ⓬ **CHIFFRES 0 - 9**
Choix direct des morceaux par leur numéro

ENGLISH

DEUTSCH

FRANCAIS

ESPAÑOL

POLSKI

ITALIANO



SPECIFICATIONS:

LD PLAY SERIES	12" VERSION	15" VERSION
Type	Bassreflex	Bassreflex
LF Transducer	12" Woofer	15" Woofer
HF Transducer	1.35" Compression Driver	1.75" Compression Driver
Dimensions (mm)	425 x 640 x 365	495 x 760 x 430
Weight (kg)	15	20
Power Output (W RMS) Peak	150 W + 30 W 350 W + 50 W	180 W + 40 W 390 W + 60 W
Amplification	BIAMPING CLASS A / B	BIAMPING CLASS A / B
SPL 1W/1m (dB)	97	98
SPL max (dB)	119	121
Frequency range (Hz)	60 - 18.000	55 - 18.000
HF horn dispersion H/V (°)	90 x 45	90 x 45
Indicators / Controls	Clip, Power / MP3 Level, Mic Level, Line Level, Master Volume, Treble, Bass, 5-Band Master EQ	
Connectors	INPUT: MIC (XLR, 6.3 MM JACK), LINE (XLR, 2 X RCA) OUTPUT: LINE (XLR, 6.3 MM JACK)	
Features	Digital Audio Player (USB & SD)	

ENGLISH

DEUTSCH

FRANCAIS

ESPAÑOL

POLSKI

ITALIANO

DÉCLARATIONS DU FABRICANT:

ENGLISH

DEUTSCH

FRANCAIS

ESPAÑOL

POLSKI

ITALIANO

GARANTIE LIMITÉE:

Cette garantie limitée s'applique aux produits de la marque Adam Hall, LD Systems, Defender, Palmer et Eminence. Les droits inhérents à la garantie légale vis-à-vis du revendeur ne sont pas affectés par cette garantie. En fait elle justifie d'une garantie supplémentaire indépendante auprès de la société Adam Hall.

La société Adam Hall garantit que le produit que vous avez acheté Adam Hall ou à l'un de ses revendeurs officiels, est exempt de défaut matériel et d'usinage pour une durée de 2 ans (ou 5 ans pour les produits Palmer) à partir de la date d'achat, lorsqu'il est utilisé dans des conditions normales.

La période de garantie limitée débute le jour de l'achat du produit. Pour bénéficier de cette garantie vous devez produire une preuve d'achat sur laquelle figure la date d'achat du produit (ex : ticket de caisse daté, bon de livraison daté...). Si un produit d'une des marques citées ci-dessus venait à nécessiter une réparation durant la période de garantie limitée, vous aurez alors le droit de bénéficier des services de la garantie selon les termes et conditions mentionnés par ce document.

Cette garantie limitée ne s'applique qu'à l'acheteur initial de ce produit Adam Hall et ne peut être en aucun cas transférée à un tiers devenu propriétaire du produit. Durant la période de garantie limitée, Adam Hall s'engage à réparer ou remplacer les pièces défectueuses du produit. Toutes les pièces ou éléments démontés lors d'une réparation par Adam Hall deviennent la propriété d'Adam Hall.

Dans le cas improbable d'un défaut récurrent, Adam Hall peut, à sa discrétion, décider de vous fournir un produit de remplacement de son choix, dont les capacités techniques sont au moins équivalentes à celles de votre produit initial.

Adam Hall ne garantit pas que le fonctionnement de ce produit sera exempt d'erreur ou ininterrompu. Adam Hall ne peut pas être rendu responsable des dégâts résultant de votre manquement à suivre les instructions d'utilisation fournies avec votre produit.

Cette garantie limitée ne s'applique pas,

- aux pièces d'usure (ex: piles)
- aux produits dont le numéro de série a été effacé ou aux produits endommagés ou rendus défectueux par accident
- dans le cas d'une utilisation non conforme aux conditions normales d'utilisation, dans le cas d'abus ou toute autre cause externe
- dans le cas d'un usage du produit en dehors des paramètres d'utilisation stipulés dans la documentation fournie avec le produit
- dans le cas de l'usage de pièces de remplacement n'étant pas fabriquées ou vendues par Adam Hall
- dans le cas d'une modification du produit ou d'une réparation par quiconque autre qu'Adam Hall

Ces termes et conditions constituent l'accord de garantie complet et exclusif entre vous et Adam Hall concernant le produit de la marque Adam Hall que vous vous êtes procuré.

LIMITATION OF LIABILITY

Si votre produit Adam Hall devait ne pas fonctionner correctement, votre seul et unique dédommagement sera la réparation du produit ou son remplacement. La responsabilité maximale imputable à Adam Hall dans le cadre de cette garantie limitée se limite au montant le plus bas. Ce montant découle du prix d'achat du produit ou bien du coût de la réparation ou des pièces de remplacement qui sont tombés en panne dans des conditions d'utilisation normales.

Adam Hall n'est pas responsable des dommages causés par le produit ou par un dysfonctionnement du produit, y compris les pertes de profits, les pertes d'épargne, et les conséquences inhérentes à ces dommages. La responsabilité d'Adam Hall ne peut pas être engagée dans le cas d'une réclamation par un tiers ou dans le cas d'une réclamation émanant de l'acheteur initial pour le compte d'un tiers.

Cette limitation de responsabilité est valable indépendamment du fait que les dommages commis fassent l'objet de poursuites judiciaires, qu'ils fassent l'objet de réclamation (y compris pour négligence), de réclamations contractuelles ou tout autre réclamation. Cette limitation de responsabilité ne peut être amendée ou dérogée par quiconque. Elle est effective même si vous aviez avisé Adam Hall ou l'un de ses représentants officiels de la possibilité d'un tel dommage. Toutefois cette limitation de responsabilité est sans effet dans le cas de réclamations pour dommages corporels.

Cette garantie limitée vous confère des droits légaux spécifiques. Selon votre pays, ou l'État dans lequel vous vous trouvez, il est possible que vous disposiez d'autres droits. Veuillez consulter les lois applicables dans votre pays ou votre État pour déterminer l'ensemble de vos droits.

FAIRE FONCTIONNER LA GARANTIE

Pour faire fonctionner la garantie sur ce produit, veuillez contacter Adam Hall ou le revendeur agréé auquel vous avez acheté le produit.

DECLARATION DE CONFORMITE CE

Ces appareils répondent aux exigences essentielles et aux autres dispositions pertinentes des directives 2004/108/EC (EMC) et 2006/95/EC (LVD). Pour plus d'informations, consultez www.adamhall.com.

ÉLIMINATION CORRECTE DES DÉCHETS (DÉCHETS ÉLECTROMÉNAGERS)

(Applicable dans l'Union Européenne et dans les autres pays européens disposant d'un système de tri des déchets)

Ce signe figurant sur le produit, ou dans la brochure jointe au produit, indique qu'il ne doit pas être jeté dans le même bac à ordures que les déchets ménagers classiques lorsqu'il arrive en fin de vie. Pour écarter les risques de pollution de l'environnement ou les risques d'intoxication humaine dûs à un mauvais traitement des déchets, veuillez séparer ce produit des autres types de déchets. Il sera ainsi inséré dans la boucle du recyclage et ces composants pourront être traités puis éventuellement réutilisés.

Nous recommandons aux particuliers de contacter leur revendeur local ou les autorités locales pour s'informer de la meilleure façon de traiter les déchets électroménagers.

Les professionnels doivent contacter leur fournisseur et examiner avec lui les termes et conditions de leur contrat d'achat. Ce produit ne doit pas être mélangé aux déchets industriels.

DECLARATION WEEE

Votre produit LD-Systems a été développé et fabriqué avec des matériaux et des composants de haute qualité, qui peuvent être recyclés et/ou réutilisés. Ce symbole indique que les appareils électriques et électroniques, à la fin de leur durée de vie opérationnelle, doivent être gérés séparément des déchets ordinaires.

Veuillez apporter ce produit au point de collecte ou centre de recyclage local prévu pour de tels appareils. Vous contribuerez ainsi à la protection de l'environnement dans lequel nous vivons tous.

BATTERIES ET ACCUMULATEURS

Les piles ou batteries rechargeable livrées avec l'appareil sont recyclables. Veuillez les jeter dans un bac à déchets spécial, ou déposez-les chez votre revendeur spécialisé. Pour une meilleure protection de l'environnement, ne jetez les piles que lorsqu'elles sont épuisées.

Adam Hall GmbH, tous droits réservés. Les caractéristiques techniques et les fonctions disponibles sur le produit sont sujettes à modifications. La photocopie, la traduction et toute forme de copie, partielle ou intégrale, de ce manuel utilisateur sont interdites.



ENGLISH

DEUTSCH

FRANÇAIS

ESPAÑOL

POLSKI

ITALIANO

Gracias por elegir LD-Systems!

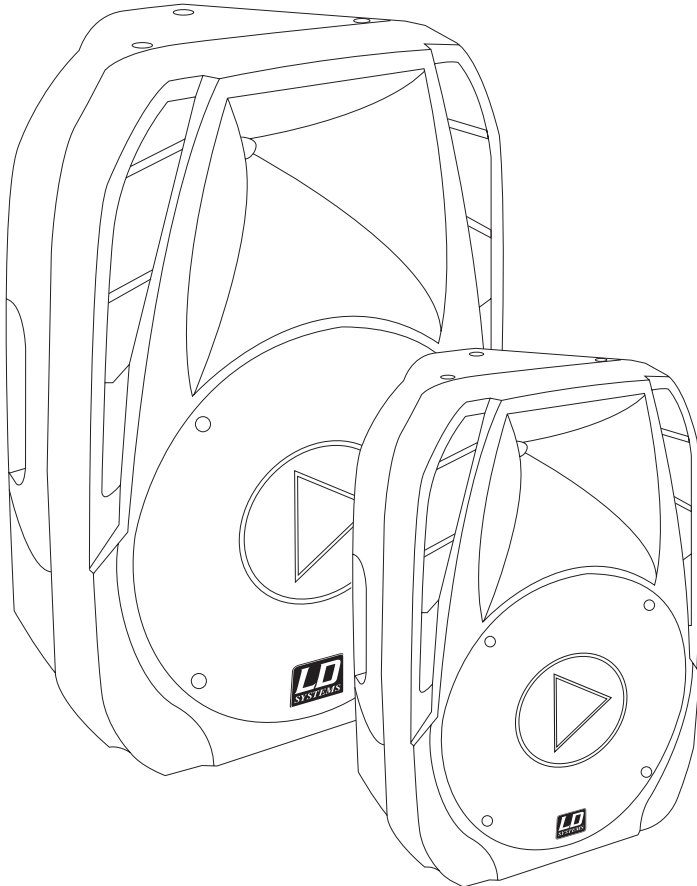
Este producto se ha diseñado para ofrecer una fiabilidad y durabilidad óptima. Los productos de LD-Systems se caracterizan por su gran calidad, avalada por el prestigio de la marca y una dilatada experiencia como fabricante.

Le rogamos que lea atentamente estas instrucciones para familiarizarse rápidamente con este producto LD-Systems y aprovechar al máximo todas las funciones.

Si desea obtener información sobre LD-Systems, visite nuestro sitio web WWW.LD-SYSTEMS.COM

LD **SERIE** PLAY

ALTAVOZ DE PA ACTIVO 12"/15"



ENGLISH

DEUTSCH

FRANCAIS

ESPAÑOL

POLSKI

ITALIANO

MEDIDAS PREVENTIVAS:

1. Lea atentamente las instrucciones de seguridad adjuntas así como las instrucciones de este documento.
2. Guarde todas las instrucciones.
3. Utilice el equipo únicamente según la finalidad prevista.
4. Procure seguir las normas vigentes sobre reciclaje de desechos. Separe los componentes de plástico, papel y cartón del paquete para reciclarlos en sus contenedores respectivos.
5. Acuda a personal de servicio técnico cualificado en caso de que el equipo esté dañado, no funcione correctamente, se haya expuesto a lluvia o haya caído líquido sobre el equipo.
6. Evite colocar el equipo cerca de una fuente de calor, como hornos, radiadores o cualquier otro dispositivo (incluidos los amplificadores). Mantenga una distancia suficiente entre los amplificadores y las paredes, estanterías, etc. para evitar cualquier sobrecalentamiento.
7. Una vez realizadas todas las conexiones, compruebe el cableado para evitar posibles daños o accidentes. No utilice cables o conexiones que estén dañados.
8. En la instalación utilice solo soportes, fijaciones, estantes, mesas, etc. que sean estables y estén homologados. Compruebe que la estabilidad es adecuada para evitar la caída del equipo.
9. Interferencias con los sistemas inalámbricos.

El uso simultáneo de micrófonos inalámbricos y de teléfonos móviles, cuando estos dispositivos están a corta distancia entre sí, puede provocar interferencias en la señal del micrófono que serán audibles en el sistema de megafonía.



ADVERTENCIA:

Para evitar el riesgo de descarga eléctrica, no retire la tapa (o el panel posterior). Este equipo no contiene piezas que puedan ser reparadas por el usuario. Para cualquier tarea de mantenimiento o reparación, acuda a un técnico cualificado.

El símbolo de rayo dentro de un triángulo equilátero advierte al usuario de la presencia de tensión peligrosa sin aislamiento dentro de la carcasa del producto que puede ser de magnitud suficiente como para suponer un riesgo para las personas.



El símbolo de exclamación dentro de un triángulo equilátero advierte al usuario de la existencia de importantes instrucciones de funcionamiento y mantenimiento (reparaciones) en la documentación adjunta con el equipo.



¡ADVERTENCIA: ALTO VOLUMEN!

Este sistema de transmisión se destina a un uso profesional. Por consiguiente, si se aplica a un uso comercial, estará sujeto a las normas y reglamentos de la Asociación para la prevención de accidentes de su sector profesional. Como fabricante, Adam Hall tiene la obligación de informar formalmente a los usuarios de la existencia de posibles riesgos para la salud.

Este sistema puede producir una presión sonora de 80 dB. Por ley, 85 dB es el nivel de presión sonora máximo al que puede estar expuesto durante una jornada laboral. Este nivel se estableció a partir de los datos científicos obtenidos de las investigaciones realizadas en el campo de la medicina del trabajo. Un nivel superior o un tiempo de exposición mayor pueden provocar daños en su oído. Para no ocasionar lesiones auditivas, el tiempo de exposición deberá acortarse si aumenta el nivel de presión sonora. Estos son algunos de los síntomas que indican una exposición excesiva a altos niveles de presión sonora:

- Escucha silbidos.
- Le parece que ya no puede oír los tonos agudos.

INTRODUCCIÓN:

Los altavoces activos LDPLAY12A y LDPLAY15A con reproductor de USB/SD integrado y pantalla iluminada ofrecen diversas opciones de conexión y de control en aplicaciones tales como escuelas, guarderías, iglesias, polideportivos, presentaciones multimedia, salas de fiestas, etc. Es el sistema de sonido ideal a un precio sorprendentemente bajo.

El reproductor puede controlarse mediante el mando a distancia por infrarrojos apuntando a la parte posterior o al frontal del altavoz. Simplemente, conecte un pendrive USB o una tarjeta SD con música en formato MP3.

También es posible conectar fuentes externas de sonido, como micrófonos, reproductores de CD o mezcladores, así como un ecualizador gráfico de 5 bandas para configurar el sonido a su gusto. Unas asas de transporte ergonómicas y un soporte estándar de 35 mm completan el equipo.

NOTA IMPORTANTE: SI NO TIENE CONECTADO UN DISPOSITIVO USB MP3 NI UNA TARJETA SD CARD, DISMINUYA EL NIVEL MP3 PARA EVITAR EL RUIDO DE FONDO.

ENGLISH

DEUTSCH

FRANCAIS

ESPAÑOL

POLSKI

ITALIANO

CARACTERÍSTICAS:

ENGLISH

DEUTSCH

FRANCAIS

ESPAÑOL

POLSKI

ITALIANO

1 GRAPHIC EQUALIZER

Ecuador gráfico de 5 bandas.

2 MP3 LEVEL

Control de nivel del reproductor digital de audio.

3 MICROPHONE INPUT

Entrada balanceada XLR/entrada no balanceada jack para micrófono.

4 MICROPHONE LEVEL

Control de nivel para la entrada de micro.

5 LINE IN

Entrada de línea balanceada XLR/no balanceada RCA.

6 LINE IN LEVEL

Control de nivel de la entrada de línea.

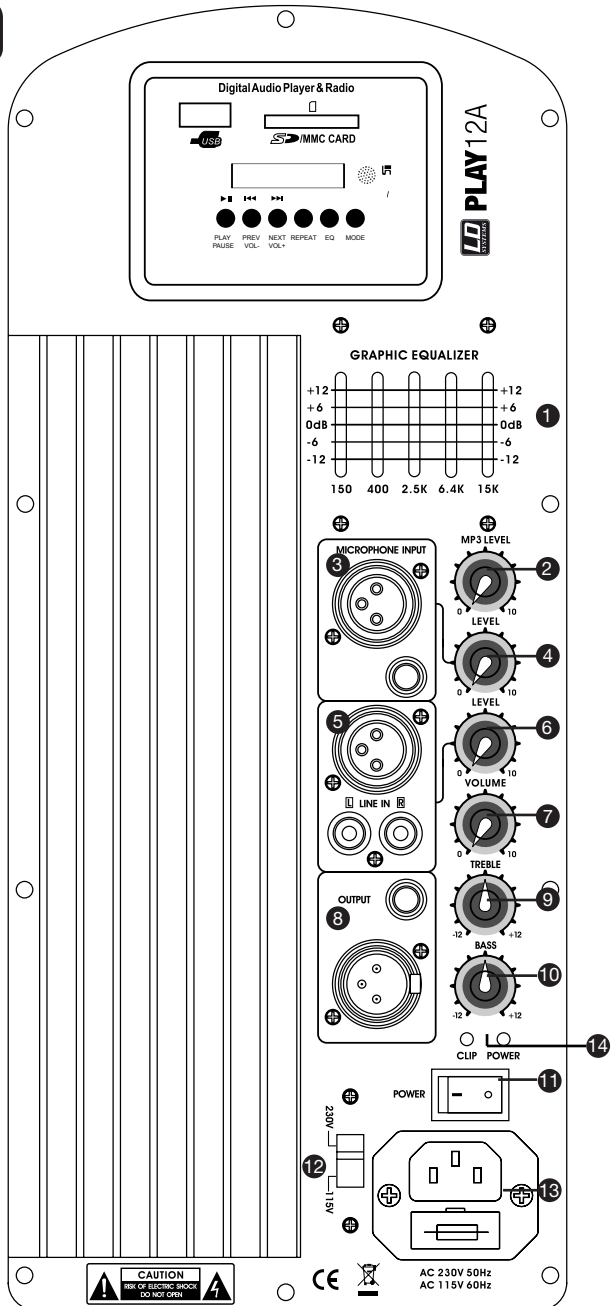
7 VOLUME

Volumen principal.

8 SALIDAS DE LÍNEA

Salidas balanceadas mono por XLR y jack. Antes de la etapa de amplificación, se mezclan las señales de entrada y el resultado se envía a estas salidas. Puede utilizar estas salidas para enviar la suma de las señales de entrada a otros altavoces activos o amplificadores.

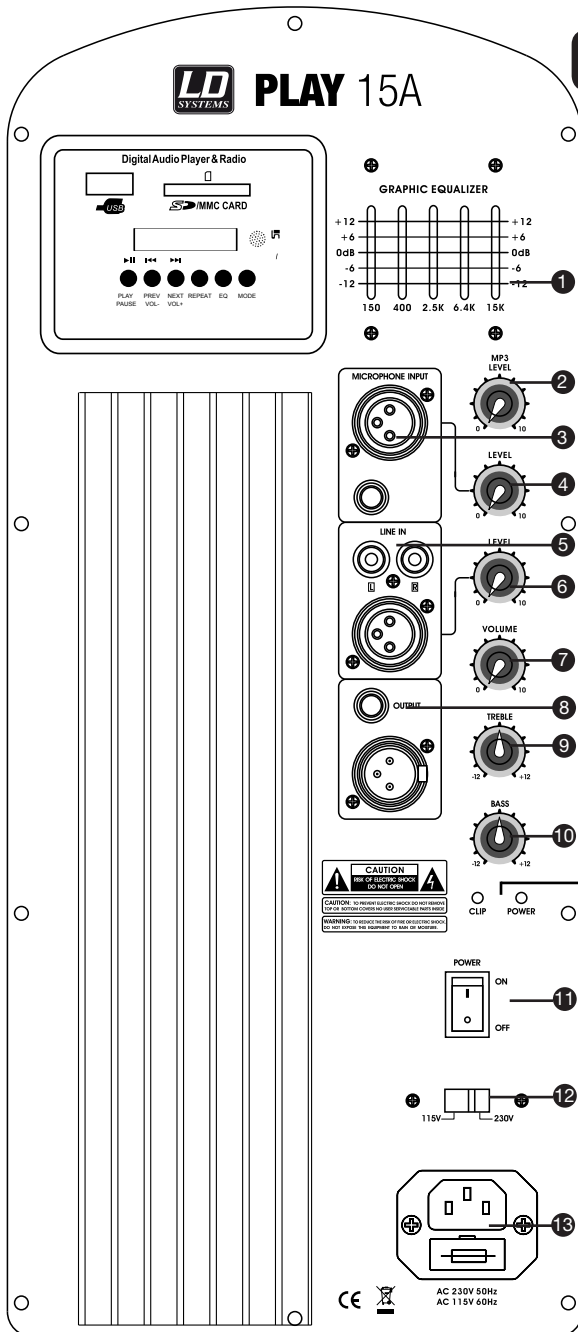
Importante: Esta señal se toma antes del ecualizador gráfico y del control de volumen principal, por lo que es independiente de estos ajustes.



CAUTION
RISK OF ELECTRIC SHOCK
DO NOT OPEN

CE

AC 230V 50Hz
AC 115V 60Hz



CARACTERÍSTICAS:

- 9 **TREBLE**
Control de agudos
- 10 **BASS**
Control de bajos
- 11 **INTERRUPTOR DE ENCENDIDO**
- 12 **SELECTOR DE TENSIÓN ELÉCTRICA**
- 13 **TOMA DE ALIMENTACIÓN ELÉCTRICA**
Toma de conexión eléctrica de 230 V (conector IEC) y portafusible. Si necesita sustituir el fusible, asegúrese de que el cable de alimentación está desenchufado. Si el fusible se funde de forma continua, haga revisar el equipo por un técnico.
- 14 **LEDs CLIP/POWER**
Si el LED CLIP parpadea o se ilumina de forma continua, disminuya el volumen.

ENGLISH

DEUTSCH

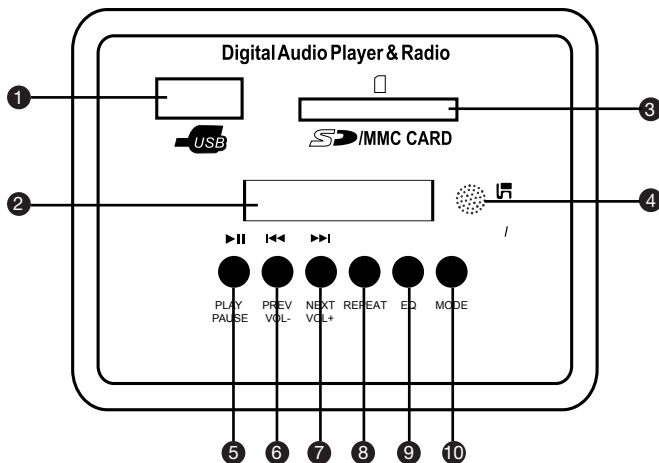
FRANCAIS

ESPAÑOL

POLSKI

ITALIANO

REPRODUCTOR:



1 PUERTO USB

2 PANTALLA

Muestra: Número de pista, Play/Pause, Volumen, Ajustes del ecualizador, USB/SD, Tiempo de reproducción, Repetición (ONE/ALL), Modo (SD/MMC).

3 RANURA PARA TARJETAS SD/MMC.

4 RECEPTOR DE INFRARROJOS PARA EL MANDO A DISTANCIA.

5 REPRODUCIR/PAUSA

6 PISTA ANTERIOR/DISMINUIR VOLUMEN

Una pulsación breve, selecciona la pista anterior; una pulsación prolongada, disminuye el volumen.

7 PISTA SIGUIENTE/AUMENTAR VOLUMEN

Una pulsación breve, selecciona la siguiente pista; una pulsación prolongada, aumenta el volumen.

8 REPETIR UNA/TODAS

Repite una o todas las pistas.

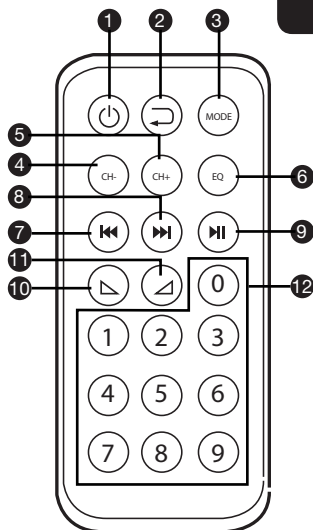
9 ECUALIZADOR

Dispone de 6 configuraciones preprogramadas del ecualizador.

10 MODE

Permite cambiar la fuente de entrada (USB o tarjeta SD)

MANDO A DISTANCIA:



1 ENCENDIDO/APAGADO DEL REPRODUCTOR

2 REPETIR

3 MODE

4 SIN FUNCIÓN ASIGNADA

5 SIN FUNCIÓN ASIGNADA

6 ECUALIZADOR

7 PISTA ANTERIOR

8 PISTA SIGUIENTE

9 REPRODUCIR/PAUSA

10 DISMINUIR VOLUMEN

11 AUMENTAR VOLUMEN

12 DÍGITOS 0 - 9

Permite seleccionar directamente una pista.

ENGLISH

DEUTSCH

FRANCAIS

ESPAÑOL

POLSKI

ITALIANO



SPECIFICATIONS:

LD PLAY SERIES	12" VERSION	15" VERSION
Type	Bassreflex	Bassreflex
LF Transducer	12" Woofer	15" Woofer
HF Transducer	1.35" Compression Driver	1.75" Compression Driver
Dimensions (mm)	425 x 640 x 365	495 x 760 x 430
Weight (kg)	15	20
Power Output (W RMS) Peak	150 W + 30 W 350 W + 50 W	180 W + 40 W 390 W + 60 W
Amplification	BIAMPING CLASS A / B	BIAMPING CLASS A / B
SPL 1W/1m (dB)	97	98
SPL max (dB)	119	121
Frequency range (Hz)	60 - 18.000	55 - 18.000
HF horn dispersion H/V (°)	90 x 45	90 x 45
Indicators / Controls	Clip, Power / MP3 Level, Mic Level, Line Level, Master Volume, Treble, Bass, 5-Band Master EQ	
Connectors	INPUT: MIC (XLR, 6.3 MM JACK), LINE (XLR, 2 X RCA) OUTPUT: LINE (XLR, 6.3 MM JACK)	
Features	Digital Audio Player (USB & SD)	

ENGLISH

DEUTSCH

FRANCAIS

ESPAÑOL

POLSKI

ITALIANO

DECLARACIÓN DEL FABRICANTE:

GARANTÍA LIMITADA

Esta garantía limitada se aplica a los productos de la marca Adam Hall, LD Systems, Defender, Palmer y Eminence.

No afecta a los derechos de garantía legal que asume el vendedor. De hecho, le concede al usuario derechos adicionales ante Adam Hall, independientes de la garantía legal.

Adam Hall garantiza que el producto que ha adquirido de Adam Hall o de cualquier distribuidor autorizado de Adam Hall estará exento de defectos de material y mano de obra, en condiciones normales de uso, durante un período de 2 o 5 años a partir de la fecha de compra.

La garantía limitada entra en vigor el día de la fecha de compra. Para tener derecho a esta garantía será necesario presentar un justificante de compra válido en el que figure la fecha de compra del producto, por ejemplo, la factura o el albarán de entrega. Si el producto que ha adquirido necesitara una reparación durante la vigencia de la garantía limitada, tendrá derecho a obtener los servicios de garantía conforme a los términos y condiciones establecidos en este documento.

Esta garantía limitada se aplica únicamente al comprador original de este producto de Adam Hall y no se puede transferir a terceras personas a las que el comprador haya cedido la propiedad del producto. Durante el periodo de garantía limitada, Adam Hall se compromete a reparar o sustituir las piezas defectuosas del producto. Todas las piezas o componentes retirados durante la reparación pasarán a ser propiedad de Adam Hall.

En el caso poco probable de que se produzca un fallo recurrente en el producto adquirido, Adam Hall, a su entera discreción, podrá optar por sustituir dicho producto por otro de similares características.

Adam Hall no garantiza el funcionamiento ininterrumpido y sin fallos de este producto. Adam Hall no se hace responsable de los posibles daños ocasionados por no seguir las instrucciones de uso suministradas con el producto Adam Hall.

Esta garantía limitada no se aplica:

- en caso de desgaste normal de los consumibles (baterías, etc.)
- a los productos cuyo número de serie ha sido borrado, o que han quedado dañados y defectuosos debido a un accidente
- en caso de defectos ocasionados por una incorrecta utilización o manipulación, o cualquier otra causa ajena
- en caso de utilización del producto no conforme con los parámetros establecidos en la documentación facilitada con el producto
- en caso de utilización de piezas de repuesto no fabricadas o vendidas por Adam Hall
- si el producto ha sido modificado o reparado por personal no autorizado por Adam Hall

Estos términos y condiciones constituyen el acuerdo de garantía íntegro y exclusivo entre usted y Adam Hall en relación con el producto Adam Hall que acaba de adquirir.

ENGLISH

DEUTSCH

FRANCAIS

ESPAÑOL

POLSKI

ITALIANO

LIMITACIÓN DE RESPONSABILIDAD

Si su producto Adam Hall no funciona de acuerdo con las garantías mencionadas arriba, tendrá derecho exclusivamente a la reparación o sustitución del mismo. La responsabilidad máxima de Adam Hall en virtud de los términos de esta garantía está limitada al menor importe que resulte del precio de compra del producto, del coste de la reparación o la sustitución de las piezas que han dejado de funcionar en condiciones normales de uso.

Adam Hall no será responsable de cualquier daño causado por el producto o por el mal funcionamiento del producto, incluidas la pérdida de ganancias, la pérdida de ahorros o cualquier consecuencia derivada de dichas pérdidas. Adam Hall no se hará responsable de ninguna reclamación presentada por un tercero o por el comprador inicial en nombre de un tercero.

Esta limitación de responsabilidad se aplicará con independencia de que se solicite una indemnización por daños y perjuicios, o se presenten reclamaciones por negligencia, contractuales o de cualquier otra índole, y no podrá ser derogada o modificada. Esta limitación de responsabilidad será efectiva incluso en el caso de que el comprador hubiese avisado previamente a Adam Hall o a alguno de sus representantes de la posibilidad de reclamar daños y perjuicios. No obstante, esta limitación de responsabilidad no tendrá efecto en caso de reclamación por daños personales.

Esta garantía limitada le otorga derechos legales específicos. Puede que posea derechos adicionales conforme a la legislación del país o Estado en el que se encuentre. Le recomendamos que consulte la legislación vigente en su país o Estado para conocer el alcance de sus derechos.

APLICACIÓN DE LA GARANTÍA

Para solicitar asistencia técnica en relación con el producto en garantía, póngase en contacto con Adam Hall o con el distribuidor autorizado donde adquirió el producto.

DECLARACIÓN CE DE CONFORMIDAD

Estos dispositivos cumplen con los requisitos esenciales y otras disposiciones pertinentes de las Directivas 2004/108/EC (EMC) y 2006/95/EC (LVD). Para más información, consulte www.adamhall.com.

ELIMINACIÓN CORRECTA DE ESTE PRODUCTO (DESECHOS ELÉCTRICOS)

(Aplicable en la Unión Europea y en los países europeos que dispongan de un sistema de recogida selectiva)



El símbolo que aparece sobre el producto o en la documentación adjunta indica que, al final de su vida útil, no deberá desecharse con los demás residuos domésticos. Para evitar posibles efectos negativos en el medio ambiente y en la salud humana debidos al vertido incontrolado de desechos, no mezcle este producto con los demás residuos. La recogida selectiva ayuda a su posterior reciclaje y fomenta la reutilización sostenible de los componentes de este equipo.

Si usted es un particular, deberá ponerse en contacto con el distribuidor donde adquirió este producto, o con el ayuntamiento, para informarse sobre el reciclaje adecuado de este equipo.

Si usted es una empresa, deberá ponerse en contacto con su proveedor e informarse sobre los términos y condiciones de su contrato de compra-venta. Este producto no debe mezclarse con otros residuos industriales.

DECLARACIÓN SOBRE WEEE

Este producto LD-Systems se ha desarrollado y fabricado con materiales y componentes de alta calidad que se pueden reciclar o reutilizar. Este símbolo indica que los equipos eléctricos y electrónicos deben separarse del resto de residuos comunes al final de su vida útil.

Para desechar este producto, llévelo al punto de recogida municipal o al centro de reciclaje específico para este tipo de equipos. De este modo, contribuirá a proteger el medioambiente.

PILAS Y ACUMULADORES

Las pilas suministradas o las pilas recargables se pueden reciclar. Para desecharlas, deposítelas en un contenedor especial o entréguelas a su proveedor especializado. Para proteger el medioambiente, deseche sólo pilas gastadas.

Adam Hall GmbH. Todos los derechos reservados. Los datos técnicos y las características funcionales del producto están sujetos a modificaciones. Se prohíbe la fotocopia, traducción y cualquier otra forma de reproducción parcial o total de este manual de usuario.



ENGLISH

DEUTSCH

FRANÇAIS

ESPAÑOL

POLSKI

ITALIANO

Dziękujemy za wybór LD Systems!

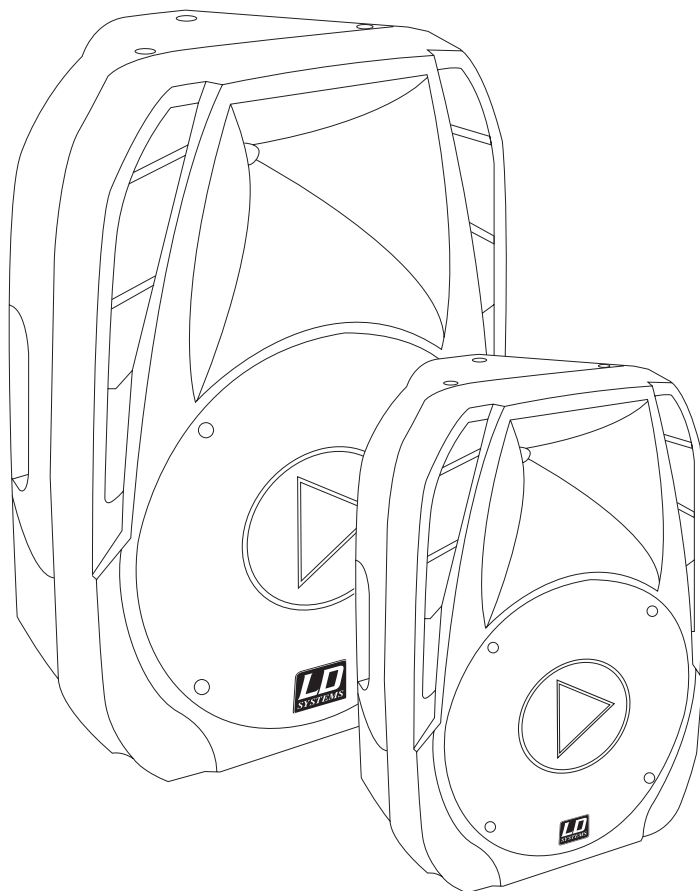
Zaprojektowaliśmy ten produkt tak, aby działał sprawnie przez wiele lat. LD-Systems gwarantuje wysoką jakość produktów swoją marką i wieloma latami doświadczenia jako producent.

Prosimy abyś zapoznał się dokładnie z niniejszą instrukcją, ponieważ chcemy abyś szybko mógł cieszyć się w pełni swoim nowym produktem LD Systems.

Więcej informacji na temat LD Systems znajdziesz na naszej stronie internetowej: WWW.LD-SYSTEMS.COM

SERIALD **PLAY**

AKTYWNE **GŁOŚNIKI PA** 12"/15"



ENGLISH

DEUTSCH

FRANCAIS

ESPAÑOL

POLSKI

ITALIANO

ŚRODKI BEZPIECZEŃSTWA:

1. Przeczytaj uważnie dołączone informacje na temat bezpieczeństwa i następujące po nich wskazówki.
2. Zachowaj pełną dokumentację produktu.
3. Używaj urządzenia zgodnie z jego przeznaczeniem.
4. Przestrzegaj przepisów dotyczących zarządzania odpadami. Posegreguj elementy opakowania na części z tworzywa sztucznego i tektury przed ich przekazaniem do utylizacji.
5. Przekaż urządzenie wykwalifikowanym pracownikom serwisu, jeżeli zostało uszkodzone, narażone na kontakt z deszczem lub płynami, lub gdy nie działa prawidłowo.
6. Nie przechowuj urządzenia w pobliżu źródeł ciepła takich jak piece, kaloryfery i inne urządzenia (w tym wzmacniacze). Zawsze dbaj o zachowanie odległości między urządzeniem, a wzmacniaczami, ścianami, skrzyniami itd. aby zapobiec przegrzaniu.
7. Po podłączeniu upewnij się, że wszystkie połączenia są wykonane prawidłowo, aby uniknąć jakiegokolwiek rodzaju wypadku lub szkody.
Nigdy nie używaj wadliwego okablowania.
8. Używaj wyłącznie zatwierdzonych i stabilnych statywów, zaczepów, półek, stołów itp. przy instalacji. Po montażu sprawdź stabilność konstrukcji.
9. Występowanie zakłóceń w systemach bezprzewodowych
Równoczesne używanie kilku mikrofonów bezprzewodowych (jeżeli są niezbyt oddalone od siebie) może prowadzić do pojawienia się zakłóceń w sygnale mikrofonowym, które mogą być słyszalne w zestawie PA.

UWAGA:



Aby zmniejszyć zagrożenie porażeniem elektrycznym, nie zdejmuj pokrywy (lub tylnej części obudowy). Brak elementów serwisowalnych przez użytkownika wewnątrz. Przekaż obsługę serwisową wykwalifikowanym fachowcom.

Symbol błyskawicy wewnątrz trójkąta równobocznego ostrzega użytkownika o nieizolowanych częściach pod niebezpiecznym napięciem wewnątrz obudowy produktu, które w znaczący sposób zwiększają zagrożenie dla zdrowia i życia osób.



Znak wykrzyknika wewnątrz trójkąta równobocznego zwraca uwagę użytkownika na ważne wskazówki odnośnie obsługi lub konserwacji (serwisu) umieszczone w instrukcjach i opisach dostarczonych wraz z produktem.



OSTRZEŻENIE! WYSOKI POZIOM GŁOŚNOŚCI!

Opisywany system transmisyjny jest przeznaczony do zastosowań profesjonalnych. Dlatego też komercyjne użytkowanie tego sprzętu podlega zasadom i przepisom bezpieczeństwa właściwym dla danego sektora działalności, w tym regulacjom określonym przez towarzystwa ubezpieczeniowe. Firma Adam Hall, jako wytwórca, jest zobowiązany do formalnego poinformowania o istnieniu potencjalnych zagrożeń zdrowia.

System może być źródłem fali dźwiękowej o ciśnieniu akustycznym rzędu 80 dB. Zgodnie z obowiązującymi przepisami, ucho ludzkie może być narażone w czasie dnia roboczego na działanie dźwięków o poziomie 85 dB. Poziom ten, na podstawie ekspertyz technicznych specjalistów od medycyny pracy, został przyjęty jako podstawa klasyfikacji hałasu. Wyższy poziom dźwięku lub dłuższy czas narażenia mogą spowodować uszkodzenie słuchu. Przy wyższych poziomach ciśnienia akustycznego czas narażenia powinien być skrócony, aby zapobiec uszkodzeniu słuchu. Poniżej opisano kilka objawów mogących wskazywać na to, że byłeś zbyt długo narażony na działanie dźwięków o zbyt wysokim poziomie ciśnienia akustycznego:

- Słyszysz dzwonienie lub gwizd w uszach,
- Odnosisz wrażenie, że nie słyszysz wysokich tonów.

The active loudspeakers LDPLAY12A and LDPLAY15A with integrated USB/SD-Card-Player and illuminated display offer comprehensive connectivity and setting possibilities for many types of applications like school, kindergarten, church, sports field, multimedia presentation, party room and so on. It is a very versatile and affordable sound system.

The USB/SD-Card-Player can be operated directly or by using the supplied infrared remote control from the front or from the rear side of the speaker. Sim

OSTRZEŻENIE: JEŻELI DO URZĄDZENIA NIE JEST PODŁĄCZONY NOŚNIK USB LUB KARTA PAMIĘCI SD, OBNIŻ POZIOM GŁOŚNOŚCI MP3 - W PRZECIWNYM RAZIE MOGĄ WYSTĄPIĆ SZUMY!

ENGLISH

DEUTSCH

FRANCAIS

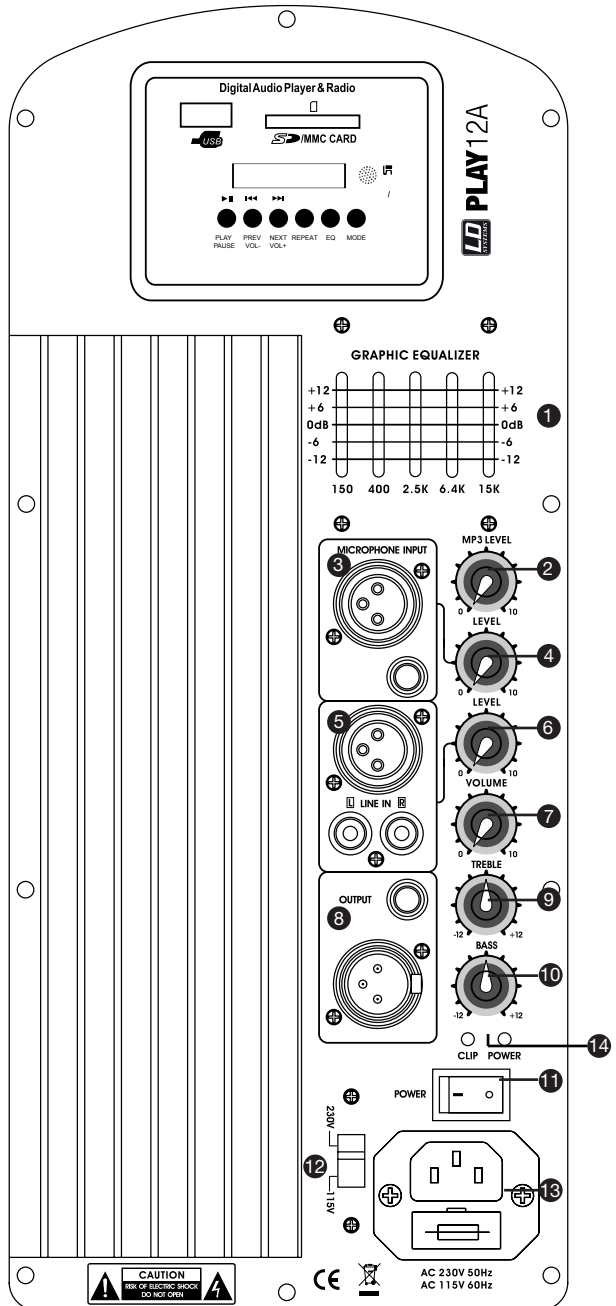
ESPAÑOL

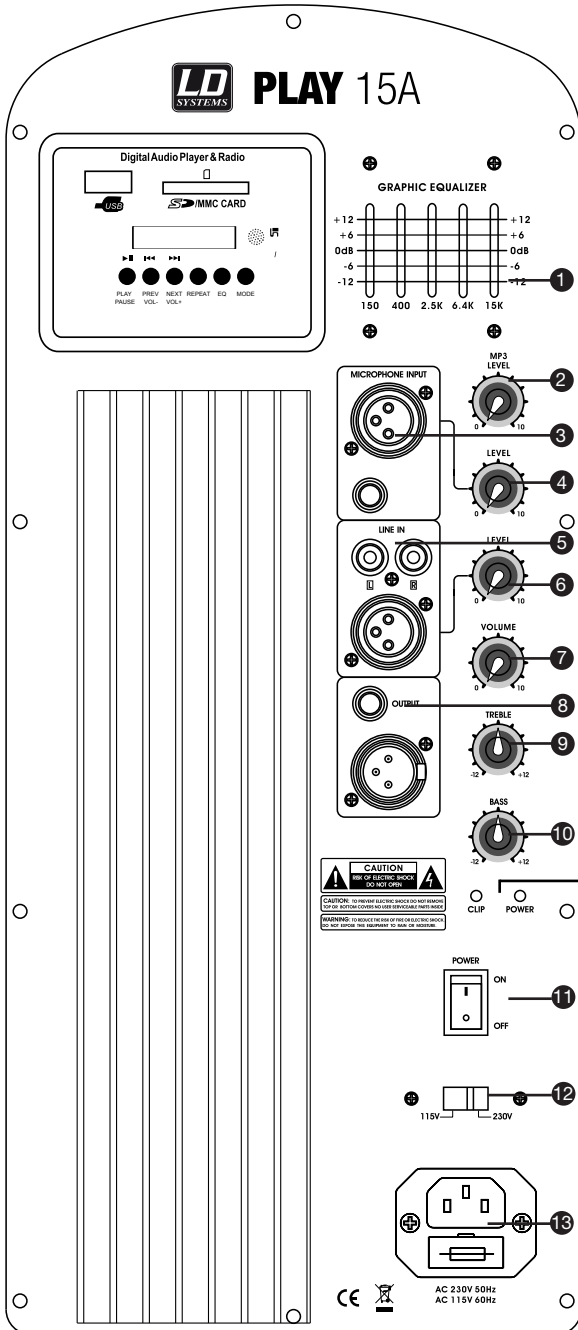
POLSKI

ITALIANO

FUNKCJE:

- 1 EQUALIZER GRAFICZNY**
5-pasmowy equalizer graficzny
- 2 MP3 LEVEL**
Regulator głośności cyfrowych odtwarzaczy audio
- 3 MICROPHONE INPUT**
Symetryczne wejście XLR/niesymetryczne wejście jack do mikrofonów
- 4 MICROPHONE LEVEL**
Regulator głośności dla wejścia mikrofonowego
- 5 LINE INPUTS**
Symetryczne wejście liniowe XLR/niesymetryczne wejście liniowe typu cinch
- 6 LINE IN LEVEL**
Regulator głośności dla wejścia liniowego
- 7 MASTER VOLUME**
Łączny regulator głośności
- 8 LINE OUTPUTS**
Symetryczne wyjście mono typu XLR i jack. Przed stopniem wyjściowym zmiksowane sygnały wejściowe są rozgałęziane i doprowadzane do tego wyjścia. Wyjście to może przykładowo służyć doysterowania dodatkowych głośników lub wzmacniaczy zmiksowanymi sygnałami wejściowymi.
Ważne: Ten sygnał wyjściowy określają główne regulatory barwy dźwięku i główne regulatory głośności, jest więc niezależny od innych ustawień.





FUNKCJE:

- 9 **TREBLE**
Regulator wysokich tonów
- 10 **BASS**
Regulator niskich tonów
- 11 **PRZEŁĄCZNIK POWER**
- 12 **PRZEŁĄCZNIK NAPIĘCIA ROBOCZEGO**
- 13 **GNAZDO ZASILANIA**
Gniazdo przyłączeniowe 230 V (na wtyczkę stosowaną np. w urządzeniach, które podczas pracy nie wytwarzają znacznej ilości ciepła) i oprawka bezpiecznika. Bezpiecznik wolno wymieniać wyłącznie przy wyciągniętej wtyczce sieciowej. Jeśli bezpiecznik przepala się wielokrotnie, urządzenie wymaga sprawdzenia w serwisie specjalistycznym.
- 14 **DIODY LED CLIP/POWER**
Jeśli DIODA LED CLIP miga lub świeci się światłem ciągłym, należy zmniejszyć głośność.

ENGLISH

DEUTSCH

FRANCAIS

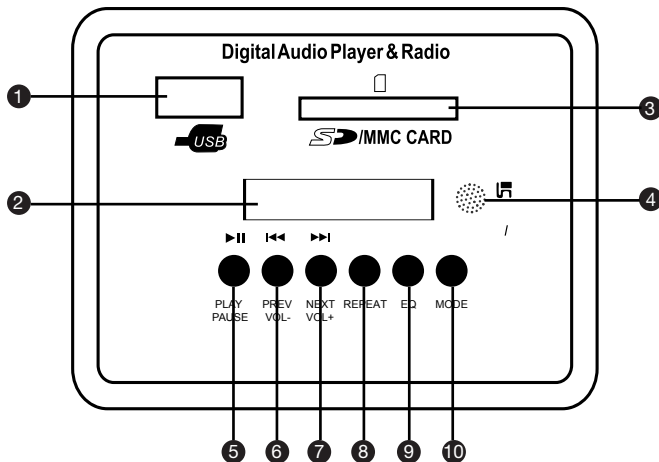
ESPAÑOL

POLSKI

ITALIANO

CE AC 230V 50Hz
AC 115V 60Hz

ODTWARZACZ:



1 PORT USB

2 WYŚWIETLACZ

pokazuje: nr tytułu, play/pause, głośność, ustawienie equalizera, USB/SD, czas odtwarzania, funkcję powtarzania (JEDEN/WSZYSTKIE), tryb (SD/MMC)

3 SŁOT NA KARTĘ SD/MMC

4 ODBIORNIK NA PODCZERWIĘŃ DO PIŁOTA ZDALNEGO STEROWANIA

5 PLAY/PAUSE

6 POPRZEDNI UTWÓR/ZMNIĘJSZENIE GŁOŚNOŚCI

Krótkie przyciśnięcie powoduje powrót do poprzedniego utworu, długie przyciśnięcie zmniejsza głośność.

7 KOLEJNY UTWÓR/ZWIĘKSZENIE GŁOŚNOŚCI

Krótkie przyciśnięcie powoduje przejście do kolejnego utworu, długie przyciśnięcie zwiększa głośność.

8 POWTARZAJ JEDEN/WSZYSTKIE

Powtarza jeden albo wszystkie utwory.

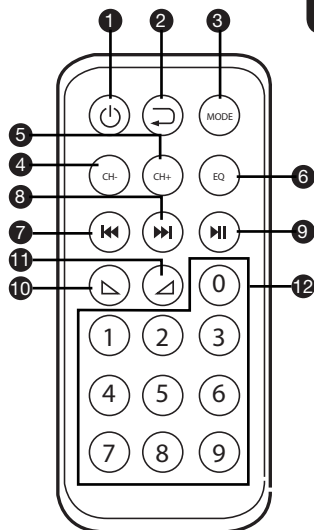
9 EQUALIZER

Dostępnych jest 6 ustawień equalizera.

10 TRYB

Wybór między dwoma źródłami sygnału wejściowego (USB/SD)

PILOT ZDALNEGO STEROWANIA:



1 ODTWARZACZ WŁ./WYŁ.

2 REPEAT

3 TRYB

4 BRAK FUNKCJI

5 BRAK FUNKCJI

6 EQUALIZER

7 POPRZEDNI UTWÓR

8 KOLEJNY UTWÓR

9 PLAY/PAUSE

10 CISZEJ

11 GŁOŚNIEJ

12 CYFRY 0-9

Bezpośredni wybór ścieżki

ENGLISH

DEUTSCH

FRANCAIS

ESPAÑOL

POLSKI

ITALIANO

SPECIFICATIONS:

LD PLAY SERIES	12" VERSION	15" VERSION
Type	Bassreflex	Bassreflex
LF Transducer	12" Woofer	15" Woofer
HF Transducer	1.35" Compression Driver	1.75" Compression Driver
Dimensions (mm)	425 x 640 x 365	495 x 760 x 430
Weight (kg)	15	20
Power Output (W RMS) Peak	150 W + 30 W 350 W + 50 W	180 W + 40 W 390 W + 60 W
Amplification	BIAMPING CLASS A / B	BIAMPING CLASS A / B
SPL 1W/1m (dB)	97	98
SPL max (dB)	119	121
Frequency range (Hz)	60 - 18.000	55 - 18.000
HF horn dispersion H/V (°)	90 x 45	90 x 45
Indicators / Controls	Clip, Power / MP3 Level, Mic Level, Line Level, Master Volume, Treble, Bass, 5-Band Master EQ	
Connectors	INPUT: MIC (XLR, 6.3 MM JACK), LINE (XLR, 2 X RCA) OUTPUT: LINE (XLR, 6.3 MM JACK)	
Features	Digital Audio Player (USB & SD)	

DEKLARACJA ZGODNOŚCI WE:

OGRANICZONA GWARANCJA

Ta Ograniczona Gwarancja dotyczy produktów marek Adam Hall, LD Systems, Defender, Palmer oraz Eminence.

Niniejsza gwarancja nie wpływa na prawa gwarancyjne wynikające z przepisów lokalnych. Jest to dodatkowa, niezależna gwarancja ze strony firmy Adam Hall.

Adam Hall gwarantuje, że zakupiony produkt Adam Hall zakupiony od firmy Adam Hall lub autoryzowanego przedstawiciela Adam Hall, pozostanie wolny od wad w materiałach i wykonaniu, przy normalnym użytkowaniu przez okres 2 lub 3 lat od daty zakupu.

Okres gwarancyjny rozpoczyna się z dniem zakupu. Aby móc skorzystać z serwisu gwarancyjnego, kupujący zobowiązany jest do przedstawienia dowodu zakupu opatrzonego datą. Dokumenty takie jak paragon, faktura lub list przewozowy mogą być dowodem daty zakupu. Jeśli produkt wymienionych powyżej marek wymaga naprawy w czasie trwania okresu gwarancyjnego, nabywcy przysługują gwarancyjne usługi serwisowe zgodne z warunkami przedstawionymi w tym dokumencie.

Niniejsza gwarancja obejmuje wyłącznie oryginalnego nabywcę produktu marki Adam Hall i nie można jej przenieść na inną osobę, która przejmie własność produktu od oryginalnego nabywcy. Podczas okresu gwarancyjnego, Adam Hall zobowiązuje się do naprawy lub wymiany wadliwych komponentów produktu. Wszystkie części i elementy wymontowane z urządzenia podczas działań serwisowych stają się własnością Adam Hall.

W mało prawdopodobnym przypadku powtarzania się wady produktu Adam Hall, Adam Hall może zdecydować o dostarczeniu urządzenia zamiennego wybranego przez Adam Hall, które charakteryzuje się co najmniej takimi samymi parametrami jak reklamowany produkt.

Adam Hall nie gwarantuje, że eksploatacja produktu będzie przebiegać bezbłędnie lub nieprzerwanie. Adam Hall nie ponosi odpowiedzialności za uszkodzenia wynikające z niezastosowania się użytkownika do instrukcji dołączonej do produktu Adam Hall.

Ta Ograniczona Gwarancja nie dotyczy,

- części podlegających normalnemu zużyciu (np. akumulator)
- produktów, których numer seryjny został usunięty, uszkodzony lub pozbawiony czytelności wyniku wypadku
- przypadków nieprawidłowego użycia, celowego uszkodzenia lub powodów zewnętrznych
- przekroczenia dopuszczalnych parametrów pracy określonych w dokumentacji dostarczonej z produktem
- użycia części zamiennych nie pochodzących od Adam Hall
- przez modyfikację lub serwis nieprzeprowadzony przez Adam Hall

Te warunki określają kompletną i wyłączną umowę gwarancyjną między Nabywcą i firmą Adam Hall odnośnie zakupionego produktu markowego Adam Hall.

ENGLISH

DEUTSCH

FRANCAIS

ESPAÑOL

POLSKI

ITALIANO

OGRANICZENIE ODPOWIEDZIALNOŚCI

Jeśli Twój produkt Adam Hall nie działa prawidłowo, wskazanym i wyłącznym rozwiązaniem jest naprawa lub wymiana. Maksymalna odpowiedzialność firmy Adam Hall w związku z niniejszą gwarancją ogranicza się maksymalnie do kwoty równej cenie zakupu produktu lub kosztom naprawy lub wymiany komponentów sprzętowych, które uległy uszkodzeniu lub nie działają prawidłowo podczas normalnego użytkowania. Adam Hall nie odpowiada za jakiegokolwiek szkody spowodowane przez produkt lub awarię produktu, włącznie z utratą zysków lub oszczędności, szczególnych, przypadkowych lub powiązanych szkód. Adam Hall nie ponosi odpowiedzialności za zobowiązania użytkownika wobec stron trzecich lub zobowiązania stron trzecich wobec użytkownika.

Ograniczenie odpowiedzialności ma zastosowanie w przypadku, gdy występują roszczenia odszkodowawcze lub składane są reklamacje na podstawie niniejszej gwarancji lub jako roszczenie z tytułu czynu niedozwolonego (włączając w to zaniedbanie oraz ścisłą odpowiedzialność za produkt), roszczenie z umowy lub jakiegokolwiek inne roszczenie. Żadna osoba nie może uchylić lub zmienić tych ograniczeń odpowiedzialności. Niniejsze ograniczenie odpowiedzialności pozostaje w mocy nawet jeśli nabywca poinformował firmę Adam Hall lub jej autoryzowanego przedstawiciela o możliwości wystąpienia takich szkód. Te ograniczenia odpowiedzialności nie dotyczą roszczeń wynikających z wystąpienia obrażeń u osób.

Niniejsza Gwarancja daje Ci pewne specyficzne prawa. Mogą przysługiwać Ci również inne prawa, które różnią się między sobą zależnie od państwa nadania. Radzimy zapoznanie się z prawem właściwym krajowi zamieszkania, w celu uzyskania kompletnej wiedzy na temat przysługujących praw.

ŻĄDANIE OBSŁUGI GWARANCYJNEJ

Aby uzyskać obsługę gwarancyjną swojego produktu, skontaktuj się z firmą Adam Hall lub jej autoryzowanym przedstawicielem od którego kupiłeś produkt.

DEKLARACJA ZGODNOŚCI WE

Urządzenia te odpowiadają podstawowym wymogom i innym wytycznym dyrektyw 2004/108/EC (EMC) i 2006/95/EC (LVD). Więcej informacji na stronie: www.adamhall.com.

PRAWDŁOWE SKŁADOWANIE TEGO PRODUKTU (ODPADY ELEKTRONICZNEI)



(Informacje mają zastosowanie w krajach członkowskich UE i innych krajach europejskich, w których obowiązuje segregacja odpadów)

Ten znak na produkcie lub dołączonej dokumentacji oznacza, że nie należy go wyrzucać wraz z domowymi odpadkami po wycofaniu z użycia. Aby zapobiec możliwym szkodom dla środowiska i ludzkiego zdrowia spowodowanym niekontrolowanym składowaniem odpadów, prosimy o oddzielenie tego produktu od innych odpadów i odpowiedzialne poddanie go recyklingowi w celu promowania ciągłego odzyskiwania zasobów materiałowych.

Użytkownicy domowi powinni skontaktować się ze sprzedawcą lub lokalnym urzędem, aby uzyskać informacje na temat przyjaznej środowisku zbiórki odpadów elektronicznych.

Użytkownicy biznesowi powinni skontaktować się ze swoim dostawcą i sprawdzić warunki kontraktu nabycia. Tego produktu nie należy mieszać z innymi odpadami komercyjnymi przy składowaniu.

DEKLARACJA-WEEE



Twój produkt LD Systems został zaprojektowany i wykonany z wysokiej jakości materiałów i komponentów, które można poddać recyklingowi i/lub użyć ponownie. Ten symbol oznacza, że sprzęt elektryczny i elektroniczny należy składować osobno od normalnych odpadów po zakończeniu użytkowania.

Prosimy, przekaż ten produkt do lokalnego punktu zbiórki lub centrum recyklingowego przeznaczonego dla tego typu sprzętu. W ten sposób przyczynisz się do ochrony środowiska, w którym żyjemy.

BATERIE I AKUMULATORY



Dołączone baterie lub akumulatory można poddać recyklingowi. Prosimy, składuj je jako specjalne odpady lub zwróć do punktu nabycia. W celu ochrony środowiska wyrzucaj wyłącznie zużyte baterie.

Adam Hall GmbH, wszystkie prawa zastrzeżone. Dane techniczne i funkcjonalne produktu mogą podlegać modyfikacjom. Kopiowanie, tłumaczenie i pozostałe formy reprodukcji fragmentów lub całości tej instrukcji obsługi są zabronione.



ENGLISH

DEUTSCH

FRANCAIS

ESPAÑOL

POLSKI

ITALIANO

Acquistando un prodotto LD Systems avete fatto la scelta giusta!

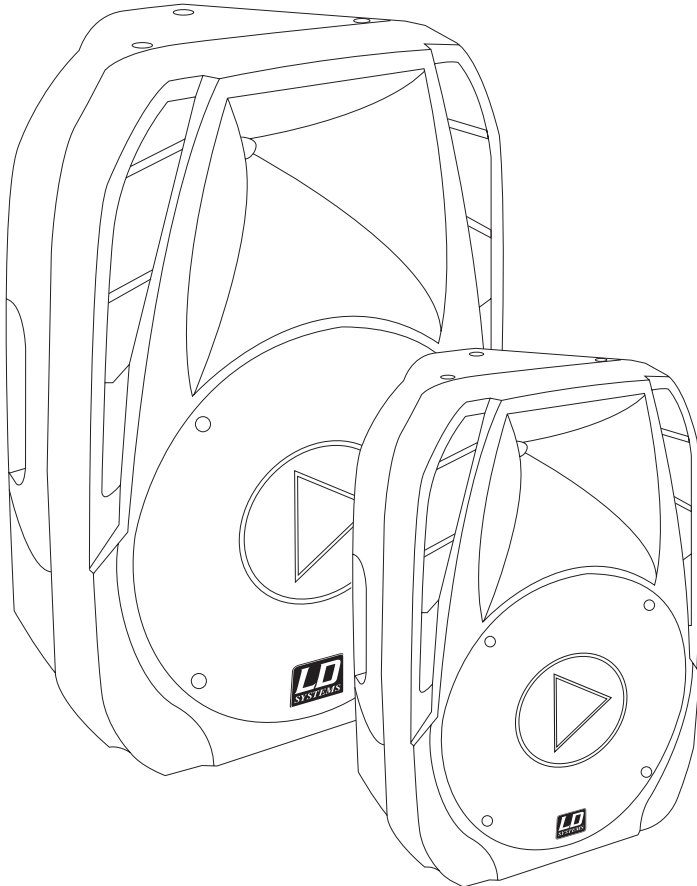
Quest'apparecchio è stato sviluppato e prodotto secondo elevati standard qualitativi che garantiscono un funzionamento regolare per molti anni. Per questo motivo LD Systems, con il suo nome e la pluriennale esperienza, rappresenta un'azienda produttrice di prodotti audio di qualità.

Leggete attentamente questo manuale d'uso per utilizzare al meglio il vostro nuovo amplificatore LD Systems.

Per ulteriori informazioni sui prodotti LD Systems consultate il nostro sito internet WWW.LD-SYSTEMS.COM

LD SERIE **PLAY**

ALTOPARLANTE PA ATTIVO DA 12"/15"



ENGLISH

DEUTSCH

FRANCAIS

ESPAÑOL

POLSKI

ITALIANO

AVVERTENZE:

1. Attenersi alle avvertenze di sicurezza e leggere attentamente il presente manuale.
2. Conservare in un luogo sicuro tutte le avvertenze e le indicazioni.
3. Utilizzare l'apparecchio solo nei modi previsti dal manuale.
4. Rispettare le leggi in vigore nel paese di installazione sullo smaltimento. Separare la plastica dalla carta e dal cartone per lo smaltimento.
5. Se l'apparecchio non funziona più correttamente, è stato esposto a liquidi o è stato in qualche modo danneggiato, rivolgersi esclusivamente a personale autorizzato per le dovute riparazioni.
6. Tenere l'apparecchio lontano da fonti di calore come stufe, termosifoni o altro (anche amplificatori). Controllare che l'apparecchio sia sempre posizionato in modo tale che si possa raffreddare e che non si surriscaldi.
7. Controllare tutte le linee alle quali l'apparecchio è collegato per evitare danni o incidenti.
- 8 Utilizzare esclusivamente supporti stabili e adeguati per fissare l'apparecchio. Verificare che l'apparecchio sia installato in modo stabile e non possa cadere.

ATTENZIONE:



Non togliere mai il coperchio di protezione: pericolo di scosse elettriche.
 All'interno dell'apparecchio non ci sono parti che possono essere controllate o riparate dall'utente.
 Per la riparazione rivolgersi esclusivamente a personale qualificato.



Questo simbolo avverte del pericolo dovuto alla presenza di una tensione pericolosa non isolata all'interno dell'apparecchio che può causare scosse pericolose.



Questo simbolo indica avvertenze e istruzioni d'uso importanti.

Attenzione! Volume alto!

Questi sistemi di trasmissione vengono utilizzati dall'utente per scopi professionali. Pertanto l'uso per scopi commerciali è soggetto alle norme e ai regolamenti delle associazioni di categoria competenti. Adam Hall, in qualità di produttore, è perciò obbligato a segnalare espressamente la presenza di possibili rischi per la salute.

Questi altoparlanti possono generare elevate pressioni sonore. 85db è la pressione sonora massima che per legge può essere esercitata sull'udito umano in una giornata lavorativa. Questo valore è stato stabilito in base a quanto rilevato nel campo della medicina del lavoro. Suoni di maggiore intensità o più prolungati possono provocare danni all'apparato uditivo. Nel caso di volumi più elevati sarà necessario diminuire il tempo di esposizione per evitare eventuali danni all'udito. Alcuni campanelli di allarme che indicano una prolungata esposizione a suoni troppo forti sono:

- La presenza di suoni o fischi all'interno dell'orecchio!
- La sensazione di non sentire più i suoni ad alta frequenza!

INTRODUZIONE:

The active loudspeakers LDPLAY12A and LDPLAY15A with integrated USB/SD-Card-Player and illuminated display offer comprehensive connectivity and setting possibilities for many types of applications like school, kindergarten, church, sports field, multimedia presentation, party room and so on. It is a very versatile and affordable sound system.

The USB/SD-Card-Player can be operated directly or by using the supplied infrared remote control from the front or from the rear side of the speaker. Sim

IMPORTANTE: QUANDO NESSUNA CHIAVETTA USB MP3 O SCHEDA SD È COLLEGATA RIDURRE IL VOLUME DEL DISPOSITIVO MP3 PER EVITARE RUMORI DI SOTTOFONDO.

ENGLISH

DEUTSCH

FRANCAIS

ESPAÑOL

POLSKI

ITALIANO

FUNZIONI:

ENGLISH

DEUTSCH

FRANCAIS

ESPAÑOL

POLSKI

ITALIANO

1 EQUALIZZATORE GRAFICO

Equalizzatore grafico a 5 bande

2 LIVELLO MP3

Controllo del volume dei lettori audio digitali.

3 INGRESSO MICROFONO

Ingresso XLR bilanciato / ingresso jack sbilanciato per microfoni

4 LIVELLO MICROFONO

Controllo del volume dell'ingresso microfonico

5 INGRESSI DI LINEA

Ingresso di linea XLR bilanciato / RCA sbilanciato

6 LIVELLO LINEA IN INGRESSO

Controllo del volume dell'ingresso di linea.

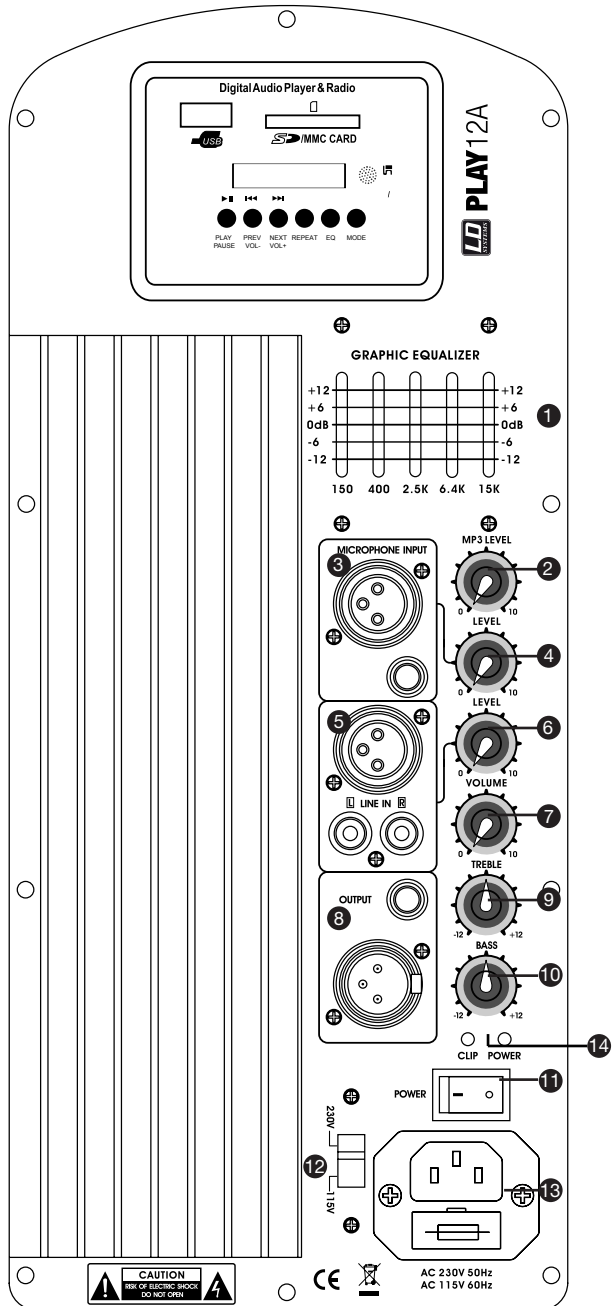
7 VOLUME GENERALE

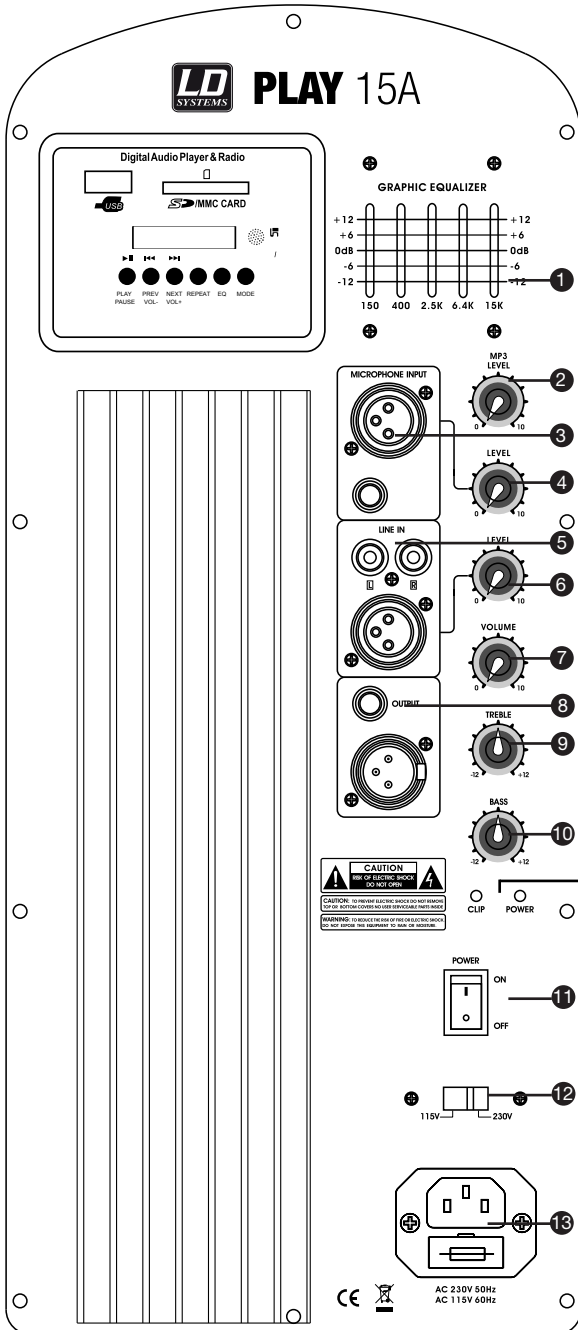
CONTROLLO generaledel volume

8 USCITE DI LINEA

Uscita mono bilanciata XLR e jack. I segnali in entrata misti vengono diramati prima delle unità finali e trasmessi a questa uscita. Questa uscita può essere utilizzata, ad esempio, per gestire con i segnali di entrata misti altri altoparlanti attivi o amplificatori.

Importante: Questo segnale di uscita è impostato prima della regolazione del suono generale e del volume generale ed è quindi indipendente dalle altre impostazioni.





FUNZIONI:

- 9 TREBLE**
Controllo dei toni alti
- 10 BASS**
Controllo dei toni bassi
- 11 INTERRUTTORE GENERALE**
- 12 INTERRUTTORE ALIMENTAZIONE**
- 13 COLLEGAMENTO ALLA RETE**
Presse di collegamento a 230 V (connettore VDE) e portafusibile. Non sostituire mai il fusibile quando il cavo di alimentazione è collegato. Nel caso in cui il fusibile si bruci ripetutamente, far controllare il dispositivo da un tecnico.
- 14 LED CLIP / ALIMENTAZIONE**
Se il led del CLIP lampeggia o rimane acceso fisso diminuire il volume del dispositivo.

ENGLISH

DEUTSCH

FRANCAIS

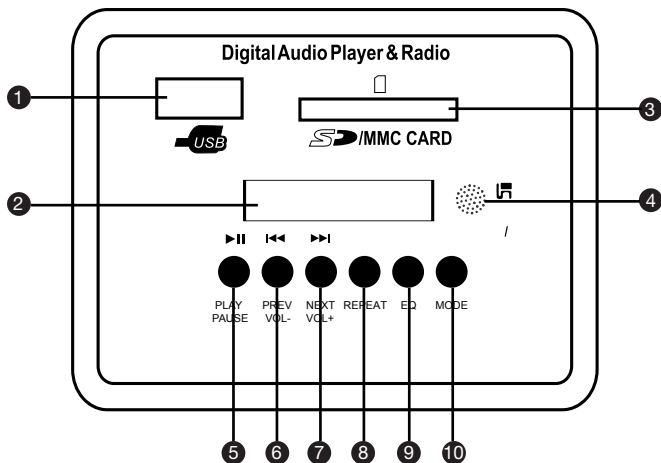
ESPAÑOL

POLSKI

ITALIANO

CE AC 230V 50Hz
AC 115V 60Hz

LETTORE:



1 PORTA USB

2 DISPLAY

Visualizza: N. traccia, Play / Pause, volume, impostazioni equalizzatore, USB / SD, tempo di riproduzione, ripeti (UNA / TUTTE), Modalità (SD / MMC)

3 ALLOGGIAMENTO CARTA SD / MMC

4 RICEVITORE AD INFRAROSSI DEL SEGNALE DEL TELECOMANDO

5 PLAY / PAUSE

6 CANZONE PRECEDENTE / RIDUZIONE VOLUME

Se premuto brevemente torna alla canzone precedente, se tenuto premuto riduce il volume.

7 CANZONE SUCCESSIVA / AUMENTO DEL VOLUME

Se premuto brevemente passa alla canzone successiva, se tenuto premuto aumenta il volume.

8 RIPETI UNA / TUTTE

Ripete una o tutte le canzoni.

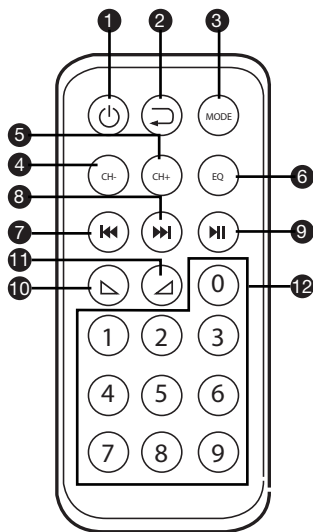
9 EQUALIZZATORE

Disponibili 6 diverse impostazioni dell'equalizzatore.

10 MODE

Permette di scegliere la fonte di ingresso (USB / SD)

TELECOMANDO:



1 INTERRUTTORE ON / OFF DEL LETTORE

2 RIPETI

3 MODE

4 NESSUNA FUNZIONE

5 NESSUNA FUNZIONE

6 EQUALIZZATORE

7 CANZONE PRECEDENTE

8 CANZONE SUCCESSIVA

9 PLAY / PAUSE

10 DIMINUISCI VOLUME

11 AUMENTA VOLUME

12 CIFRE DA 0 A 9

Selezione diretta delle tracce

ENGLISH

DEUTSCH

FRANCAIS

ESPAÑOL

POLSKI

ITALIANO

SPECIFICATIONS:

LD PLAY SERIES	12" VERSION	15" VERSION
Type	Bassreflex	Bassreflex
LF Transducer	12" Woofer	15" Woofer
HF Transducer	1.35" Compression Driver	1.75" Compression Driver
Dimensions (mm)	425 x 640 x 365	495 x 760 x 430
Weight (kg)	15	20
Power Output (W RMS) Peak	150 W + 30 W 350 W + 50 W	180 W + 40 W 390 W + 60 W
Amplification	BIAMPING CLASS A / B	BIAMPING CLASS A / B
SPL 1W/1m (dB)	97	98
SPL max (dB)	119	121
Frequency range (Hz)	60 - 18.000	55 - 18.000
HF horn dispersion H/V (°)	90 x 45	90 x 45
Indicators / Controls	Clip, Power / MP3 Level, Mic Level, Line Level, Master Volume, Treble, Bass, 5-Band Master EQ	
Connectors	INPUT: MIC (XLR, 6.3 MM JACK), LINE (XLR, 2 X RCA) OUTPUT: LINE (XLR, 6.3 MM JACK)	
Features	Digital Audio Player (USB & SD)	

DICHIARAZIONI DEL PRODUTTORE:

GARANZIA DEL PRODUTTORE

Le seguenti condizioni di garanzia si applicano ai prodotti dei marchi Adam Hall, LD Systems, LD Premium, Defender, Palmer e Eminence.

La presente dichiarazione di garanzia non influisce sui diritti di garanzia del produttore previsti dalla legge, ma estende ulteriormente tali diritti anche nei confronti della ditta Adam Hall.

Adam Hall garantisce per un periodo di due o cinque anni dalla data di acquisto che questo prodotto Adam Hall acquistato direttamente dall'azienda o attraverso un rivenditore autorizzato, se utilizzato correttamente, è privo di difetti di materiale e manodopera.

Il periodo di garanzia ha inizio dalla data di acquisto del prodotto che, nel caso in cui si voglia usufruire della garanzia, va adeguatamente documentata tramite la presentazione dello scontrino o della bolla di consegna con la data di acquisto. Qualora, entro il periodo di garanzia, i prodotti di una delle marche sovraindicate necessitano di interventi di riparazione, l'utente ha diritto ad usufruire del servizio alle condizioni indicate nel presente documento.

Questa garanzia del produttore è valida esclusivamente per il primo proprietario del prodotto Adam Hall e non si può trasferire ad un eventuale proprietario successivo. Entro il periodo di garanzia, Adam Hall si fa carico della riparazione o della sostituzione dei componenti o degli apparecchi difettosi. Tutti i componenti o i prodotti sostituiti usufruendo della garanzia del produttore diventano di proprietà di Adam Hall.

Nel caso improbabile che il prodotto acquistato presenti ripetuti malfunzionamenti, la ditta Adam Hall è autorizzata a sostituire a propria discrezione il prodotto difettoso con un altro, a patto che il nuovo prodotto sia di uguale valore rispetto a quello vecchio per quanto riguarda le caratteristiche hardware.

Adam Hall non garantisce che il prodotto sia perfettamente funzionante e/o senza difetti. Inoltre, Adam Hall non risponde di danni derivanti dall'inosservanza delle indicazioni riportate nelle istruzioni d'uso fornite con il presente prodotto e in altra documentazione.

La garanzia del produttore non copre:

- parti soggette ad usura (es. accumulatori),
- apparecchi dai quali è stato rimosso il numero di serie o il cui numero di serie risulta illeggibile a causa di danneggiamenti causati dall'utente,
- danni derivanti da uso errato o improprio o altre cause esterne,
- danni ad apparecchi che non sono stati utilizzati secondo i parametri di funzionamento (parametri indicati nella documentazione contenuta nella confezione),
- danni derivanti dall'utilizzo di componenti non prodotti o distribuiti da Adam Hall,
- danni derivanti da interventi, modifiche o riparazioni non effettuate da Adam Hall.

Le presenti condizioni costituiscono l'accordo di garanzia completo ed esclusivo tra l'acquirente e la Adam Hall per il prodotto Adam Hall acquistato.

ENGLISH

DEUTSCH

FRANCAIS

ESPAÑOL

POLSKI

ITALIANO

LIMITAZIONI DI RESPONSABILITÀ

Nel caso in cui, durante il periodo di garanzia, i prodotti hardware Adam Hall presentino difetti di materiale o di lavorazione (in base alla dichiarazione di garanzia precedente), il solo ed unico diritto del cliente previsto dalla presente garanzia è quello di riparazione o sostituzione dell'apparecchio. La massima responsabilità di Adam Hall è limitata, come espressamente indicato nella garanzia, al prezzo d'acquisto o ai costi per la riparazione o la sostituzione (e in questo caso per l'importo minore) dei componenti hardware difettosi in caso di uso corretto degli stessi.

Adam Hall non è responsabile per eventuali danni provocati dal prodotto o dal malfunzionamento dello stesso, compresi mancati guadagni, perdite e danni speciali indiretti o conseguenti. Inoltre Adam Hall è indenne da richieste avanzate da terzi o dal cliente in nome di terzi.

La presente limitazione di responsabilità vale indipendentemente dal fatto che i danni siano oggetto di procedimenti giudiziari o che siano oggetto di risarcimento danni ai sensi della presente garanzia o per atti illeciti (incluse negligenza e responsabilità oggettiva) o per pretese contrattuali o di altra natura, e non può essere né annullata né modificata. La presente limitazione di responsabilità è valida anche nel caso in cui l'utente abbia avvisato Adam Hall o un rappresentante autorizzato di possibili danni. Tale limitazione non è però valida in caso di richieste per risarcimento danni in relazione a danni a persone.

La garanzia del produttore permette di godere di determinati diritti. A seconda della giurisdizione competente (dello stato o della regione in cui si risiede) è possibile ottenere ulteriori diritti. Si consiglia quindi di consultare le leggi applicabili per determinare l'insieme dei diritti di cui si può godere.

RICORSO ALLA GARANZIA

Per usufruire della garanzia rivolgersi direttamente a Adam Hall o al rivenditore autorizzato Adam Hall, dal quale è stato acquistato il prodotto.

CE DICHIARAZIONE DI CONFORMITÀ

Questi dispositivi soddisfano i requisiti essenziali e le altre disposizioni pertinenti delle direttive 2004/108/EC (EMC) e 2006/95/EC (LVD). Per ulteriori informazioni, vedere www.adamhall.com.

CORRETTO SMALTIMENTO DEL PRODOTTO ("RIFIUTI ELETTRONICI")

(Valido nei paesi dell'Unione europea e in altri paesi con sistema di smaltimento differenziato dei rifiuti)



Questo simbolo sul prodotto o sui documenti relativi ad esso sta ad indicare che l'apparecchio alla fine del suo ciclo di vita non deve essere smaltito insieme ai normali rifiuti domestici, in modo tale da evitare eventuali danni ambientali e alle persone causati da uno smaltimento incontrollato dei rifiuti. Si prega di smaltire questo prodotto separatamente da altri rifiuti e promuovere così lo sviluppo di cicli economici sostenibili con il riciclaggio. I privati cittadini possono ricevere informazioni sulle possibilità di smaltimento sostenibile presso il venditore dal quale è stato acquistato il prodotto o presso le autorità regionali competenti. I professionisti devono invece contattare il loro fornitore di fiducia e controllare le eventuali condizioni contrattuali per lo smaltimento degli apparecchi. Questo prodotto non deve essere smaltito assieme ad altri rifiuti industriali.

DICHIARAZIONE RAEE



Il prodotto LD Systems acquistato è stato realizzato tramite l'utilizzo di materiali e componenti di qualità che possono essere riciclati o riutilizzati. Questo simbolo indica che gli apparecchi elettronici non vanno smaltiti assieme ai normali rifiuti domestici indifferenziati. Si prega di smaltire questo apparecchio a norma di legge presso un punto di raccolta per rifiuti elettronici contribuendo così alla salvaguardia dell'ambiente.

BATTERIE E PILE



Le batterie incluse nella confezione possono essere riutilizzate. Non gettare quindi le batterie nei normali rifiuti domestici, ma in contenitori appositi per la loro raccolta. Aiutate a mantenere pulito l'ambiente.

Adam Hall GmbH, tutti i diritti riservati. I dati tecnici e le caratteristiche del prodotto possono essere soggetti a modifiche. È vietata la copia, la traduzione e qualsiasi altra riproduzione delle presenti istruzioni d'uso o di parte di esse senza previa autorizzazione.



WWW.LD-SYSTEMS.COM

Adam Hall GmbH | Daimlerstrasse 9 | 61267 Neu-Anspach | Germany
Tel. +49(0)6081/9419-0 | Fax +49(0)6081/9419-1000
web : www.adamhall.com | e-mail : mail@adamhall.com