

## Product selected: Hi-Spot 80 50W/FL25°

Hi-Spot® 80 mains voltage halogen lamps with E27 cap and aluminium reflector are interchangeable with R95 incandescent reflector lamps. Upgrading to beautiful halogen light could not be quicker or easier.

### Applications

- For use in mains voltage ES/E27 cap downlights, spotlights and luminaires
- For precision or decorative lighting in retail, commercial and domestic applications
- Suitable for outdoor use when protected from direct contact with water

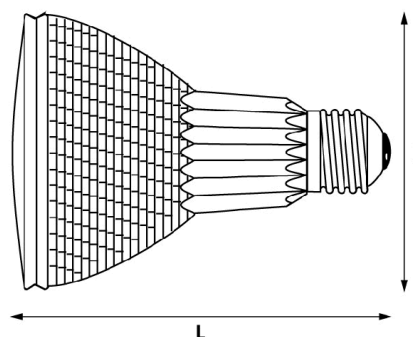
### Features

- Halogen light without the need for a transformer
- Unique, patented, computer designed spiral faceted aluminised reflector
- Wattages 50W and 75W
- Beam angles 10° and 25°
- Excellent colour rendering
- Can be dimmed using standard dimmer switches
- The use of UV-Stop materials dramatically reduces UV emissions
- Average rated life: up to 3000 hours

### Product Image



### Line Drawing

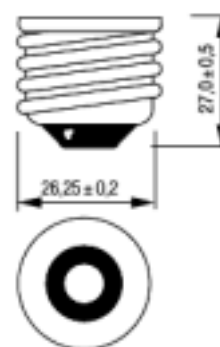


### Product Attributes

|                        |                      |
|------------------------|----------------------|
| Item description       | Hi-Spot 80 50W/FL25° |
| Ordering Code          | 0021162              |
| EAN code               | 5410288211626        |
| Packing Quantity       | 15                   |
| Wattage (W)            | 50                   |
| Voltage (V)            | 240                  |
| Cap                    | E27                  |
| Max. Over. Length (mm) | 108                  |
| Diameter (mm)          | 81                   |
| Colour Temp (K)        | 2900                 |
| Beam angle(°)          | 25                   |
| Peak intensity (CD)    | 1100                 |
| Average life (hours)   | 2500                 |

### Lamp Cap

E27/ES



### UV Stop



### Illuminance Diagram

## Hi-Spot 80 / 50W

