



Home  
About Us

**Products**

- Audio**
- Video
- Lighting
- Data Connectors
- Industrial

Support  
News  
Sitemap

**Search**

PRODUCTS ONLY

Search

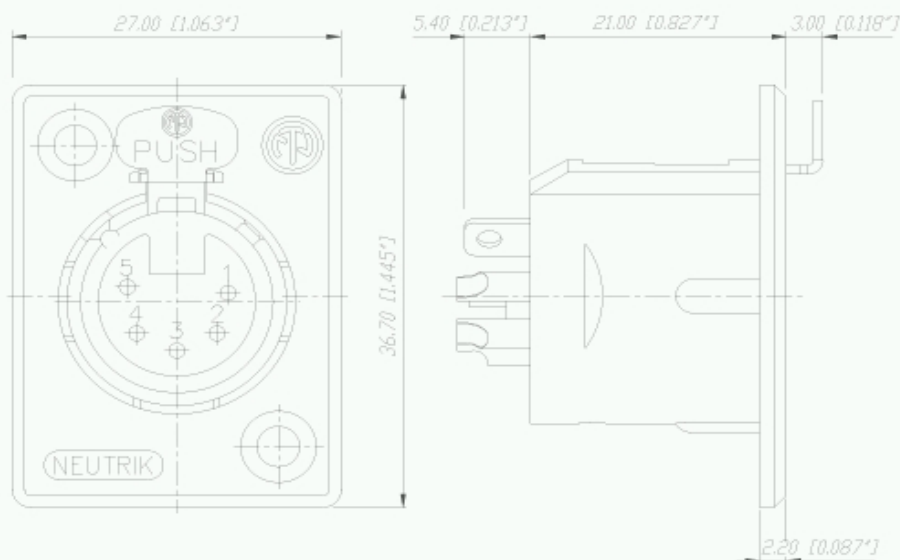
© Neutrik® AG  
All rights reserved  
Legal Notices



## Audio P Series

[back](#)

### NC5FP-B-1



#### Product

Connector Type	XLR
Gender	female

#### Electrical

Capacitance between contacts	≤ 7 pF
Contact resistance	≤ 5 mΩ
Dielectric strength	1,5 kVdc
Insulation resistance	> 2 GΩ (initial)
Insulation resistance	> 1 GΩ (after damp heat test)
Rated current per contact	7,5 A
Rated voltage	50 V

#### Mechanical

Insertion force	≤ 20 N
Withdrawal force	≤ 20 N
Lifetime	> 1000 mating cycles
Wire size	max. 1.0 mm <sup>2</sup>
Wire size	max. 18 AWG
Wiring	Solder contacts
Locking device	latch lock
Mounting direction	front
Chassis shape	P

#### Material

Contact plating	0.2 μm Au hard alloy over 2 μm Ni
Contacts	Brass (CuZn39Pb3)
Insert	Polyamide (PA 6.6 30 % GR)
Locking element	Steel Ck67
Shell	Zinc diecast (ZnAl4Cu1)
Shell plating	Black chromium

#### Environmental

Flammability	UL 94 HB
Standard compliance	IEC 61076-2-103
Protection class	IP 40
Solderability	Complies with IEC 68-2-20
Temperature range	-30 °C to +80 °C