



MICROCHIP

**PIC18F4XK22 Development Board
User's Guide**

Note the following details of the code protection feature on Microchip devices:

- Microchip products meet the specification contained in their particular Microchip Data Sheet.
- Microchip believes that its family of products is one of the most secure families of its kind on the market today, when used in the intended manner and under normal conditions.
- There are dishonest and possibly illegal methods used to breach the code protection feature. All of these methods, to our knowledge, require using the Microchip products in a manner outside the operating specifications contained in Microchip's Data Sheets. Most likely, the person doing so is engaged in theft of intellectual property.
- Microchip is willing to work with the customer who is concerned about the integrity of their code.
- Neither Microchip nor any other semiconductor manufacturer can guarantee the security of their code. Code protection does not mean that we are guaranteeing the product as "unbreakable."

Code protection is constantly evolving. We at Microchip are committed to continuously improving the code protection features of our products. Attempts to break Microchip's code protection feature may be a violation of the Digital Millennium Copyright Act. If such acts allow unauthorized access to your software or other copyrighted work, you may have a right to sue for relief under that Act.

Information contained in this publication regarding device applications and the like is provided only for your convenience and may be superseded by updates. It is your responsibility to ensure that your application meets with your specifications. MICROCHIP MAKES NO REPRESENTATIONS OR WARRANTIES OF ANY KIND WHETHER EXPRESS OR IMPLIED, WRITTEN OR ORAL, STATUTORY OR OTHERWISE, RELATED TO THE INFORMATION, INCLUDING BUT NOT LIMITED TO ITS CONDITION, QUALITY, PERFORMANCE, MERCHANTABILITY OR FITNESS FOR PURPOSE. Microchip disclaims all liability arising from this information and its use. Use of Microchip devices in life support and/or safety applications is entirely at the buyer's risk, and the buyer agrees to defend, indemnify and hold harmless Microchip from any and all damages, claims, suits, or expenses resulting from such use. No licenses are conveyed, implicitly or otherwise, under any Microchip intellectual property rights.

Trademarks

The Microchip name and logo, the Microchip logo, dsPIC, KEELOQ, KEELOQ logo, MPLAB, PIC, PICmicro, PICSTART, PIC³² logo, rPIC and UNI/O are registered trademarks of Microchip Technology Incorporated in the U.S.A. and other countries.

FilterLab, Hampshire, HI-TECH C, Linear Active Thermistor, MXDEV, MXLAB, SEEVAL and The Embedded Control Solutions Company are registered trademarks of Microchip Technology Incorporated in the U.S.A.

Analog-for-the-Digital Age, Application Maestro, chipKIT, chipKIT logo, CodeGuard, dsPICDEM, dsPICDEM.net, dsPICworks, dsSPEAK, ECAN, ECONOMONITOR, FanSense, HI-TIDE, In-Circuit Serial Programming, ICSP, Mindi, MiWi, MPASM, MPLAB Certified logo, MPLIB, MPLINK, mTouch, Omniscient Code Generation, PICC, PICC-18, PICDEM, PICDEM.net, PICkit, PICtail, REAL ICE, rfLAB, Select Mode, Total Endurance, TSHARC, UniWinDriver, WiperLock and ZENA are trademarks of Microchip Technology Incorporated in the U.S.A. and other countries.

SQTP is a service mark of Microchip Technology Incorporated in the U.S.A.

All other trademarks mentioned herein are property of their respective companies.

© 2011, Microchip Technology Incorporated, Printed in the U.S.A., All Rights Reserved.

 Printed on recycled paper.

ISBN: 978-1-61341-914-4

Microchip received ISO/TS-16949:2009 certification for its worldwide headquarters, design and wafer fabrication facilities in Chandler and Tempe, Arizona; Gresham, Oregon and design centers in California and India. The Company's quality system processes and procedures are for its PIC[®] MCUs and dsPIC[®] DSCs, KEELOQ[®] code hopping devices, Serial EEPROMs, microperipherals, nonvolatile memory and analog products. In addition, Microchip's quality system for the design and manufacture of development systems is ISO 9001:2000 certified.

QUALITY MANAGEMENT SYSTEM
CERTIFIED BY DNV
== ISO/TS 16949:2009 ==

Table of Contents

Chapter 1. PIC18F4XK22 Development Board Overview

1.1 Overview	9
1.2 Highlights	9
1.3 PIC18F4XK22 Development Board Contents	9
1.4 PIC18F4XK22 Development Board Layout	9
1.4.1 Analog Input Filtering Circuit	10
1.4.2 PWM Filtering from RC2	11
1.4.3 PICtail™ Daughter Board Interface	11
1.4.4 PICKit™ Serial Analyzer Connector	11
1.4.5 ICSP™ (In-Circuit Serial Programmer™) Connector	11
1.4.6 Temperature Sensor	11
1.4.7 25LC1024 Serial EEPROM	11
1.4.8 32.768 kHz Crystal	12
1.4.9 128x64 OLED	12
1.5 Powering the Demo Board	12
1.6 Quick Start Guide	12
1.6.1 Downloading Demonstration Software	12
1.7 Programming Lessons	14

Chapter 2. Troubleshooting

2.1 Introduction	15
2.1.1 The board does not power up.	15
2.1.2 Microcontroller is not executing code.	15
2.1.3 The microcontroller will not program.	15

Appendix A. Board Schematics

A.1 Introduction	17
------------------------	----

PIC18F4XK22 Development Board User's Guide

Preface

NOTICE TO CUSTOMERS

All documentation becomes dated, and this manual is no exception. Microchip tools and documentation are constantly evolving to meet customer needs, so some actual dialogs and/or tool descriptions may differ from those in this document. Please refer to our web site (www.microchip.com) to obtain the latest documentation available.

Documents are identified with a “DS” number. This number is located on the bottom of each page, in front of the page number. The numbering convention for the DS number is “DSXXXXA”, where “XXXX” is the document number and “A” is the revision level of the document.

For the most up-to-date information on development tools, see the MPLAB® IDE online help. Select the Help menu, and then Topics to open a list of available online help files.

INTRODUCTION

This chapter contains general information that will be useful to know before using the PIC18F4XK22 Development Board. Items discussed in this chapter include:

- Document Layout
- Conventions Used in this Guide
- Warranty Registration
- Recommended Reading
- The Microchip Web Site
- Development Systems Customer Change Notification Service
- Customer Support
- Document Revision History

DOCUMENT LAYOUT

This document describes how to use the PIC18F4XK22 Development Board as a development tool to emulate and debug firmware on a target board. The manual layout is as follows:

- **Chapter 1. “PIC18F4XK22 Development Board Overview”** – Introduces the PIC18F4XK22 Development Board and provides a brief description of the hardware and the new features.
- **Chapter 2. “Troubleshooting”** – Describes the common problems of the PIC18F4XK22 Development Board and their solutions.
- **Appendix A. “Board Schematics”** – Provides schematic diagrams for the PIC18F4XK22 Development Board.

CONVENTIONS USED IN THIS GUIDE

This manual uses the following documentation conventions:

DOCUMENTATION CONVENTIONS

Description	Represents	Examples
Arial font:		
Italic characters	Referenced books	<i>MPLAB[®] IDE User's Guide</i>
	Emphasized text	...is the <i>only</i> compiler...
Initial caps	A window	the Output window
	A dialog	the Settings dialog
	A menu selection	select Enable Programmer
Quotes	A field name in a window or dialog	"Save project before build"
Underlined, italic text with right angle bracket	A menu path	<u><i>File>Save</i></u>
Bold characters	A dialog button	Click OK
	A tab	Click the Power tab
N'Rnnnn	A number in verilog format, where N is the total number of digits, R is the radix and n is a digit.	4'b0010, 2'hF1
Text in angle brackets < >	A key on the keyboard	Press <Enter>, <F1>
Courier New font:		
Plain Courier New	Sample source code	#define START
	Filenames	autoexec.bat
	File paths	c:\mcc18\h
	Keywords	_asm, _endasm, static
	Command-line options	-Opa+, -Opa-
	Bit values	0, 1
	Constants	0xFF, 'A'
Italic Courier New	A variable argument	<i>file.o</i> , where <i>file</i> can be any valid filename
Square brackets []	Optional arguments	mcc18 [options] <i>file</i> [options]
Curly brackets and pipe character: { }	Choice of mutually exclusive arguments; an OR selection	errorlevel {0 1}
Ellipses...	Replaces repeated text	var_name [, var_name...]
	Represents code supplied by user	void main (void) { ... }

PIC18F4XK22 Development Board User's Guide

WARRANTY REGISTRATION

Please complete the enclosed Warranty Registration Card and mail it promptly. Sending in the Warranty Registration Card entitles users to receive new product updates. Interim software releases are available at the Microchip web site.

RECOMMENDED READING

This user's guide describes how to use the PIC18F4XK22 Development Board. Other useful documents are listed below. The following Microchip documents are available and recommended as supplemental reference resources.

PIC18LF46K22 Data Sheet (DS41412)

This data sheet summarizes the features of the PIC18LF46K22. It provides essential information needed to develop software for this device.

MCP9700/9700A and MCP9701/9701A Data Sheet (DS21942)

This data sheet summarizes the features of the MCP9700/9700A and MCP9701/9701A. It provides essential information needed to develop software for these devices.

MCP6021/2/3/4 Data Sheet (DS21685)

This data sheet summarizes the features of the MCP6021/2/3/4. It provides essential information needed to develop software for these devices. The data sheet can be found at <http://ww1.microchip.com/downloads/en/DeviceDoc/21685d.pdf>.

25LC1024 Data Sheet (DS22064)

This data sheet summarizes the features of the 25LC1024. It provides essential information needed to develop software for this device.

THE MICROCHIP WEB SITE

Microchip provides online support via our web site at www.microchip.com. This web site is used as a means to make files and information easily available to customers. Accessible by using your favorite Internet browser, the web site contains the following information:

- **Product Support** – Data sheets and errata, application notes and sample programs, design resources, user's guides and hardware support documents, latest software releases and archived software
- **General Technical Support** – Frequently Asked Questions (FAQs), technical support requests, online discussion groups, Microchip consultant program member listing
- **Business of Microchip** – Product selector and ordering guides, latest Microchip press releases, listing of seminars and events, listings of Microchip sales offices, distributors and factory representatives

DEVELOPMENT SYSTEMS CUSTOMER CHANGE NOTIFICATION SERVICE

Microchip's customer notification service helps keep customers current on Microchip products. Subscribers will receive e-mail notification whenever there are changes, updates, revisions or errata related to a specified product family or development tool of interest.

To register, access the Microchip web site at www.microchip.com, click on Customer Change Notification and follow the registration instructions.

The Development Systems product group categories are:

- **Compilers** – The latest information on Microchip C compilers and other language tools. These include the MPLAB[®] C18 and MPLAB C30 C compilers; MPASM[™] and MPLAB ASM30 assemblers; MPLINK[™] and MPLAB LINK30 object linkers; and MPLIB[™] and MPLAB LIB30 object librarians.
- **Emulators** – The latest information on Microchip in-circuit emulators. This includes the MPLAB ICE 2000 and MPLAB ICE 4000.
- **In-Circuit Debuggers** – The latest information on the Microchip in-circuit debugger, MPLAB ICD 2.
- **MPLAB[®] IDE** – The latest information on Microchip MPLAB IDE, the Windows[®] Integrated Development Environment for development systems tools. This list is focused on the MPLAB IDE, MPLAB SIM simulator, MPLAB IDE Project Manager and general editing and debugging features.
- **Programmers** – The latest information on Microchip programmers. These include the MPLAB PM3 and PRO MATE[®] II device programmers and the PICSTART[®] Plus and PICKit[™] 1 development programmers.

PIC18F4XK22 Development Board User's Guide

CUSTOMER SUPPORT

Users of Microchip products can receive assistance through several channels:

- Distributor or Representative
- Local Sales Office
- Field Application Engineer (FAE)
- Technical Support

Customers should contact their distributor, representative or field application engineer (FAE) for support. Local sales offices are also available to help customers. A listing of sales offices and locations is included in the back of this document.

Technical support is available through the web site at: <http://support.microchip.com>

DOCUMENT REVISION HISTORY

Revision A (December 2011)

- Initial Release of this Document.

Chapter 1. PIC18F4XK22 Development Board Overview

The PIC18F4XK22 Development Board is a demonstration and development tool designed for those getting started with microcontrollers or those looking to migrate to the new PIC18(L)F4XK22/2XK22 family. The board is designed for general purpose applications and includes a variety of hardware to exercise microcontroller peripherals.

1.1 OVERVIEW

The PIC18(L)F4XK22/2XK22 is a new family of microcontrollers that take advantage of Microchip's latest process technology. Among the most notable of the new features are:

- lower power consumption
- high-performance operation and
- low-cost

Several firmware demos that showcase some of the features are included.

The hardware included on the board allows for development as well. The microcontroller that is populated on the board, the PIC18LF46K22, is the superset of the PIC18F4XK22/2XK22 family. Included on the board are various analog and digital circuitry used in microcontroller applications, in addition to a header which breaks out all signal lines for analysis or interfacing to external devices.

1.2 HIGHLIGHTS

This chapter discusses the features of the PIC18F4XK22 Development Board. Topics discussed include:

- PIC18F4XK22 Development Board Contents
- PIC18F4XK22 System Management Layout
- Powering the Demo Board
- Quick Start Guide
- Programming Lessons

1.3 PIC18F4XK22 DEVELOPMENT BOARD CONTENTS

The PIC18F4XK22 Development Board kit includes the following items:

- PIC18F4XK22 Development Board
- PIC18F4XK22 Development Board Quick Start Guide
- On-board PIC18LF46K22 device (pre-loaded with program demonstration)

If you are missing any part of the kit, please contact your nearest Microchip sales office listed on the back of this publication.

1.4 PIC18F4XK22 DEVELOPMENT BOARD LAYOUT

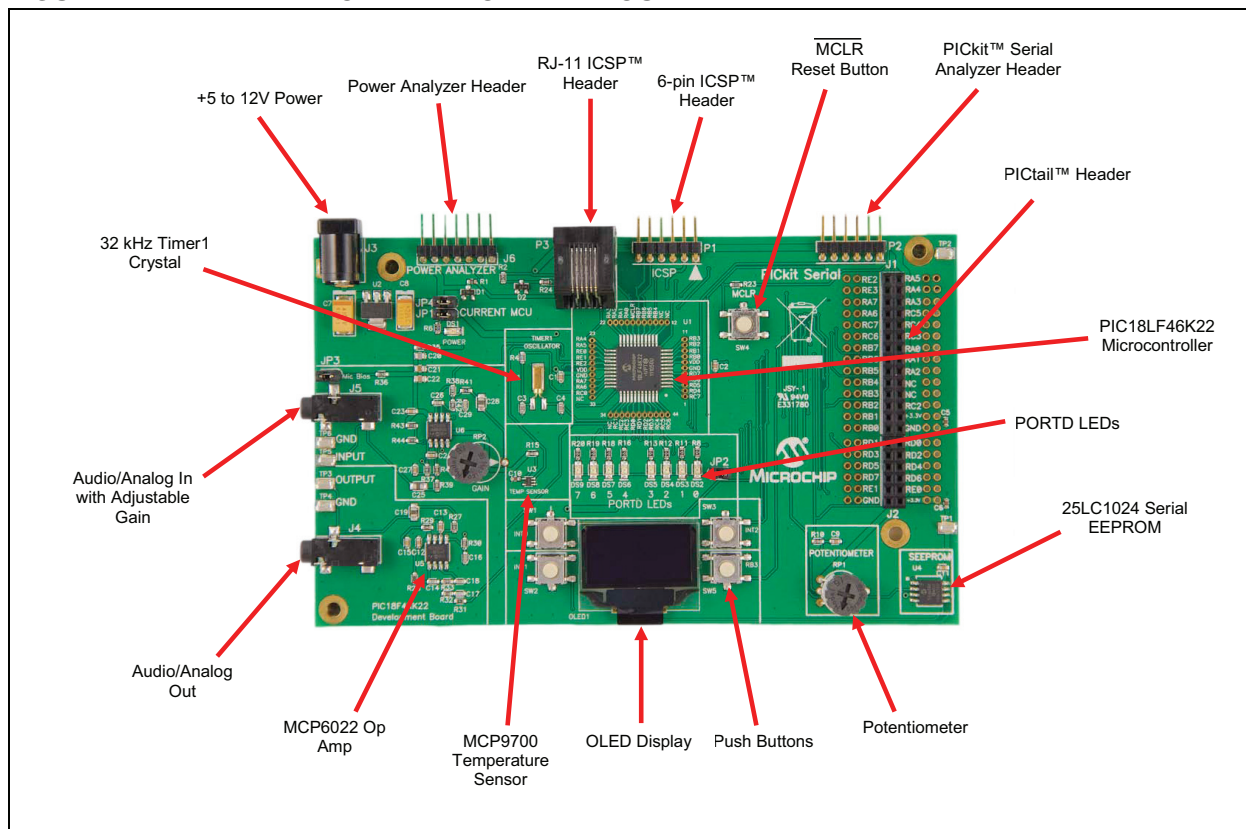
The PIC18F4XK22 Development Board is populated with a PIC18LF46K22 microcontroller. In addition, the board is also populated with the following features/components:

- 128x64 Organic LED Display (SPI)
- 32.768 kHz External Oscillator (Timer1)

PIC18F4XK22 Development Board User's Guide

- Analog Input Filtering and Gain Control into RE1 (1.4.1)
- PWM Output Filtering from RC2 (1.4.2)
- 4 Push Buttons for User Interfacing
- 1 MCLR Switch
- 8 LEDs mapped to PORTD
- Potentiometer
- 1024 KB Serial EEPROM
- PICtail™ Daughter Board Header (breaks out all pins)
- 6-Pin ICSP™ Programming Capability Header
- 6-Pin PICKit Serial Analyzer Interface
- Current Measurement Jumper
- RJ-11 ICSP Programming Header
- Power Analyzer Header

FIGURE 1-1: DEVELOPMENT BOARD LAYOUT



1.4.1 Analog Input Filtering Circuit

The analog filtering circuit is designed for use with an electret microphone. Electret microphones typically require biasing, which is provided by MIC bias jumper, JP3. The analog signal generated by a typical electret microphone has a peak-to-peak voltage in the single millivolts range. The analog filtering circuit has a maximum gain of 300, which can be controlled with the potentiometer labeled **GAIN** and is a 2nd order low-pass filter with a cut-off frequency of 5 kHz. Jumper JP3 needs to be removed if the analog input is provided by input test point.

1.4.2 PWM Filtering from RC2

The microcontroller output RC2 provides an active-low pass filter that can be used to generate analog signals. A high-frequency PWM output from RC2 can be pulse-width modulated to vary the amplitude of the output signal.

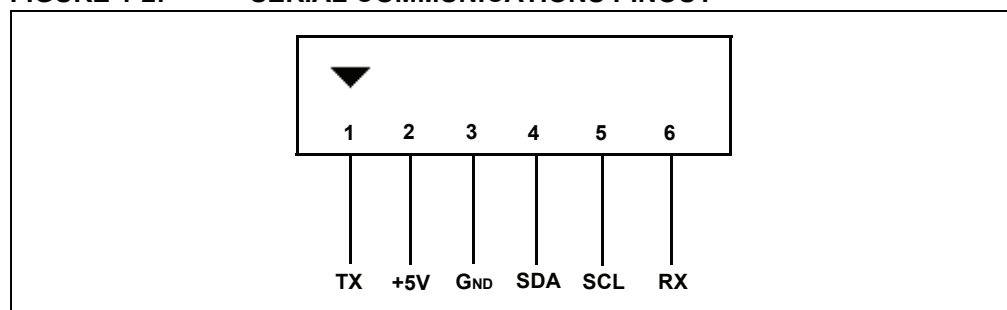
1.4.3 PICtail™ Daughter Board Interface

The PICtail daughter board interface breaks out each pin of the microcontroller in addition to providing +VDD and ground. The header is designed to be compatible with existing PICtail daughter boards. Visit the Microchip web site to find more details on PICtail daughter boards.

1.4.4 PICKit™ Serial Analyzer Connector

The PICKit serial analyzer connector provides pins for serial communication. The serial communications lines are designed to be used with the PICKit serial analyzer, but are also provided for general purpose communications as well. The serial communications pinout is shown below:

FIGURE 1-2: SERIAL COMMUNICATIONS PINOUT



1.4.5 ICSP™ (In-Circuit Serial Programmer™) Connector

A 6-pin ICSP programming capability and RJ-11 connectors are provided for programming the microcontroller. The PIC18LF46K22 can be programmed and debugged through these connectors using Microchip In-Circuit Debuggers/Programmers.

Note: The programming voltage on the microcontroller VPP pin must be below 9V according to the programming specification. Protection circuitry (8.2V Zener with 820 Ohm series resistor) is in place to ensure that VPP does not exceed programming specifications.

1.4.6 Temperature Sensor

An MCP9700 temperature sensor is located on the board. The MCP9700 is an analog temperature sensor that provides a linear voltage output versus temperature. The voltage output of the temperature sensor is connected to the RE1 pin of the microcontroller.

1.4.7 25LC1024 Serial EEPROM

A Microchip 1024 Kbit serial reprogrammable Flash memory with both Flash and byte-level serial EEPROM functions is provided.

The memory is accessed via a simple Serial Peripheral Interface (SPI) compatible serial bus. The bus signals are a clock input plus separate data in and data out lines. Access to the device is controlled by a Chip Select (CS) input on the microcontroller pin RA6.

PIC18F4XK22 Development Board User's Guide

1.4.8 32.768 kHz Crystal

The 32.768 kHz tuning fork crystal is interfaced to the RC0/T1OSO and RC1/T1OSI pins for use with the Timer1 peripheral.

1.4.9 128x64 OLED

The display provided on the development board is a 128x64 organic LED display. It interfaces to the microcontroller via Serial Peripheral Interface (SPI). The controller on the OLED is the SSD1306.

1.5 POWERING THE DEMO BOARD

The demonstration board can be powered in the following ways:

1. The board accepts a 2.5mm coaxial power connector in J3. Acceptable voltages range from +5 to 12 VDC.
2. Microchip In-Circuit Debuggers/Programmers can be used to provide power at connector P1 or P3. Do not exceed a voltage of 3.6 VDC or a current of 100 mA on the board if a debugger/programmer is being used to power the board.
3. The PICkit Serial Analyzer can be used to provide power at connector P2. Do not exceed a voltage of 3.6 VDC or a current of 100 mA on the board if the PICkit Serial Analyzer is being used to power the board.

1.6 QUICK START GUIDE

The PIC18F4XK22 Development Board is preloaded with demonstration firmware. The board must be configured as described in this section in order to use the demonstration programs.

Board Setup

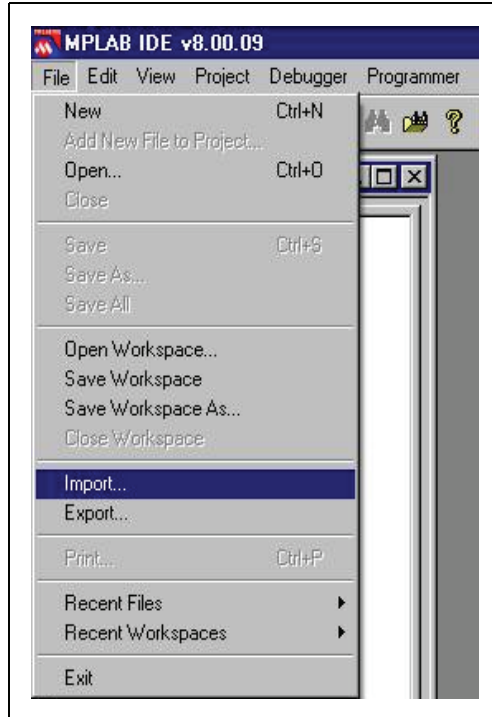
1. Close jumper JP1 labeled **Current MCU**, JP4, JP3 labeled **Mic Bias** and JP2.
2. Connect a +5 to 12V power supply to connector J3 in the upper left portion of the board.

1.6.1 Downloading Demonstration Software

The PIC18F4XK22 Development Board software package can be downloaded from www.microchip.com. It contains demonstration programs and hands-on programming lessons. Using a Microchip In-Circuit Debugger/Programmer, demonstration firmware can be downloaded onto the demo board and the board can be powered.

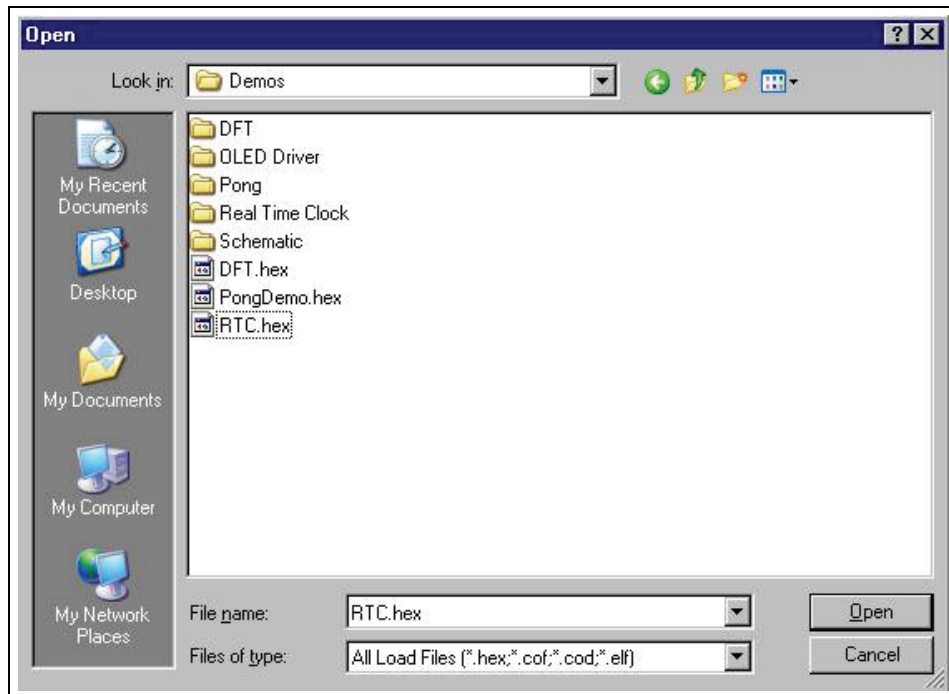
1. Download the PIC18F4XK22 Development Board software package from www.microchip.com/8bit.
2. Unzip the software package.
3. Connect a Microchip In-Circuit Debugger/Programmer to the development board connector P1 or P3.
4. Start the MPLAB IDE software.
5. Click **File > Import**.

FIGURE 1-3: IMPORT



6. Browse to the *Demos* directory.
7. Select one of the several demos available (*readme.txt* in the *Demos* directory will describe each demo) and click **Open**:

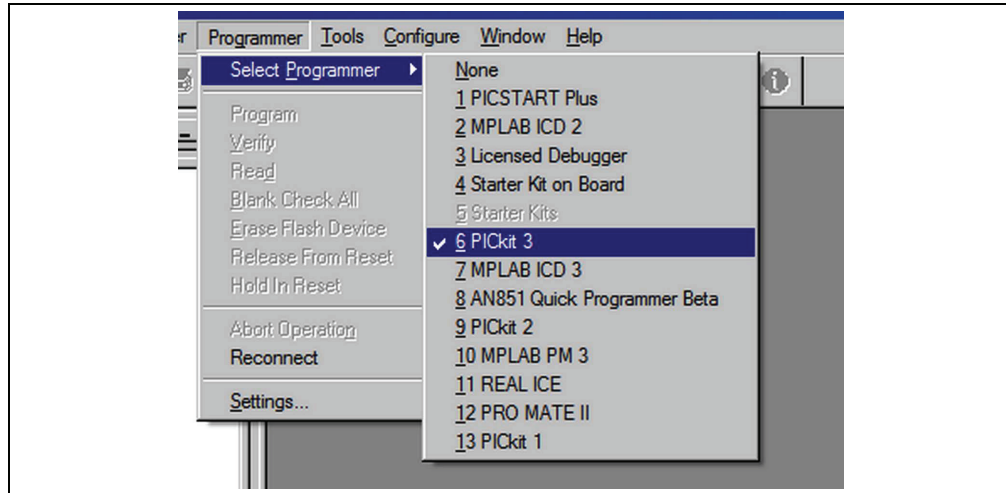
FIGURE 1-4: DEMOS AVAILABLE



PIC18F4XK22 Development Board User's Guide

- Click **Programmer** > Select **Programmer** and select your programmer:

FIGURE 1-5: SELECTING THE PROGRAMMER



- To program, click **Programmer** > **Program**.
- Click **Programmer** > **Release from Reset** to release the MCLR to run the program.

1.7 PROGRAMMING LESSONS

The PIC18F4XK22 software package includes a variety of programming lessons designed for use with the demonstration board. Download the PIC18F4XK22 software package from www.microchip.com/8bit and browse to the *Lessons* directory.

Chapter 2. Troubleshooting

2.1 INTRODUCTION

This chapter describes common problems when using the PIC18F4XK22 Development Board and their solutions.

2.1.1 The board does not power up.

Make sure that the green POWER LED has turned on. If the LED is not on, check to see that the +9V power supply is properly connected.

2.1.2 Microcontroller is not executing code.

First check to make sure that the microcontroller has been programmed with the firmware that is intended to run. If the part is programmed, ensure that the current jumpers JP1 and JP4 are in place.

2.1.3 The microcontroller will not program.

Check to make sure that the programmer/debugger is properly connected to the PC and powered. Make sure that the board is also powered with the +9V power supply. Programming can only occur when the current jumper, JP1, is connected.

PIC18F4XK22 Development Board User's Guide

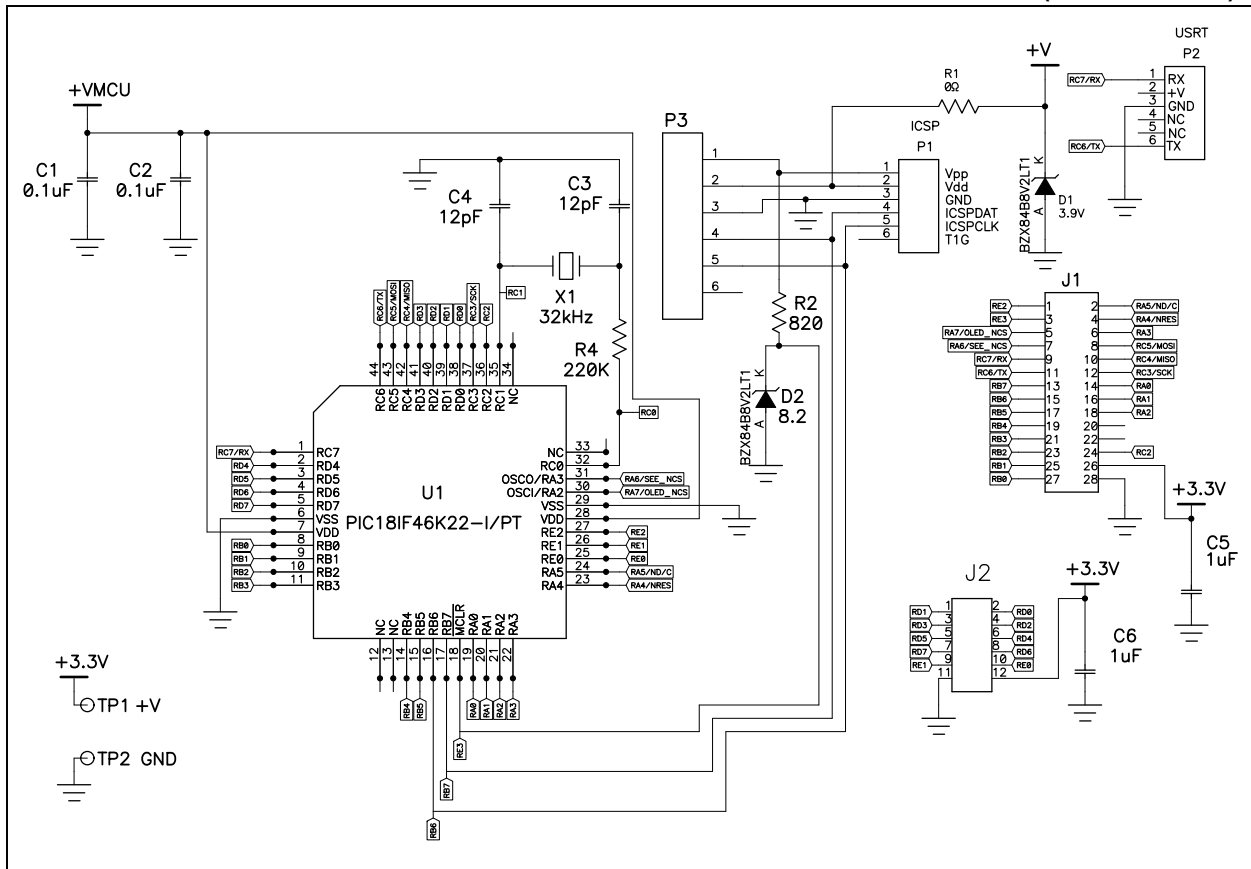
NOTES:

Appendix A. Board Schematics

A.1 INTRODUCTION

This appendix contains the PIC18F4XK22 Development Board schematics, broken down into 5 sheets, as follows:

FIGURE A-1: PIC18F4XK22 DEVELOPMENT BOARD SCHEMATIC DIAGRAM (SHEET 1 OF 5)



PIC18F4XK22 Development Board User's Guide

FIGURE A-2: PIC18F4XK22 DEVELOPMENT BOARD SCHEMATIC DIAGRAM (SHEET 2 OF 5)

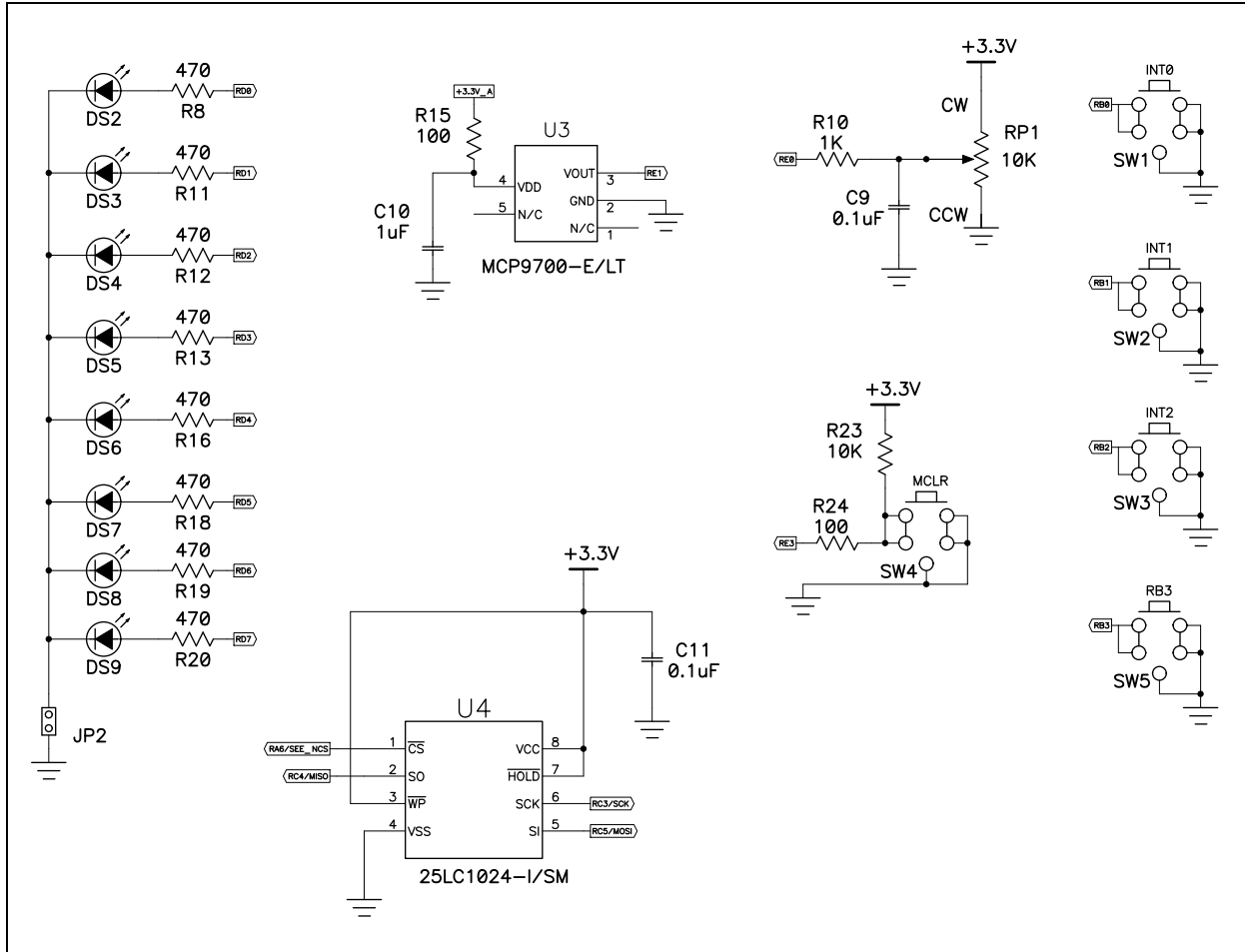
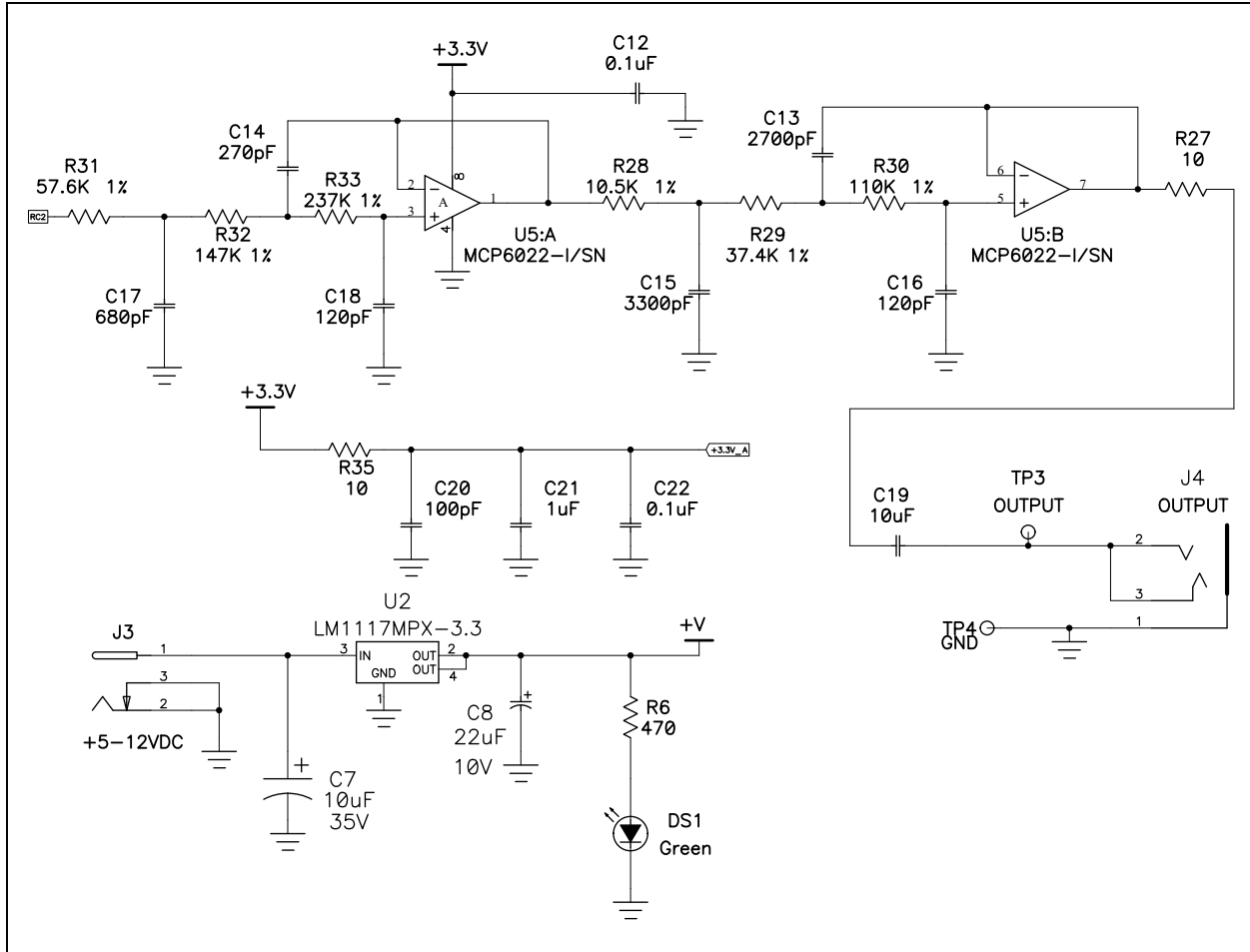


FIGURE A-3: PIC18F4XK22 DEVELOPMENT BOARD SCHEMATIC DIAGRAM (SHEET 3 OF 5)



PIC18F4XK22 Development Board User's Guide

FIGURE A-4: PIC18F4XK22 DEVELOPMENT BOARD SCHEMATIC DIAGRAM (SHEET 4 OF 5)

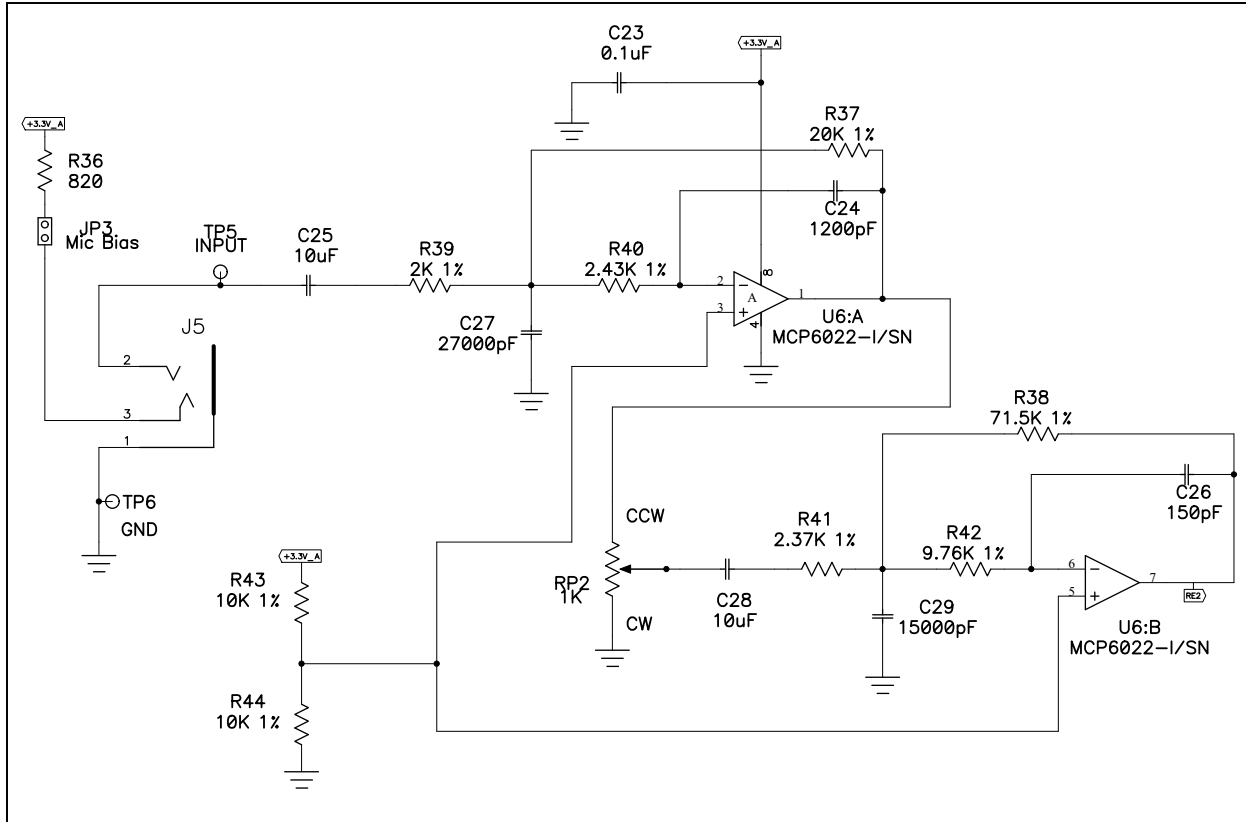
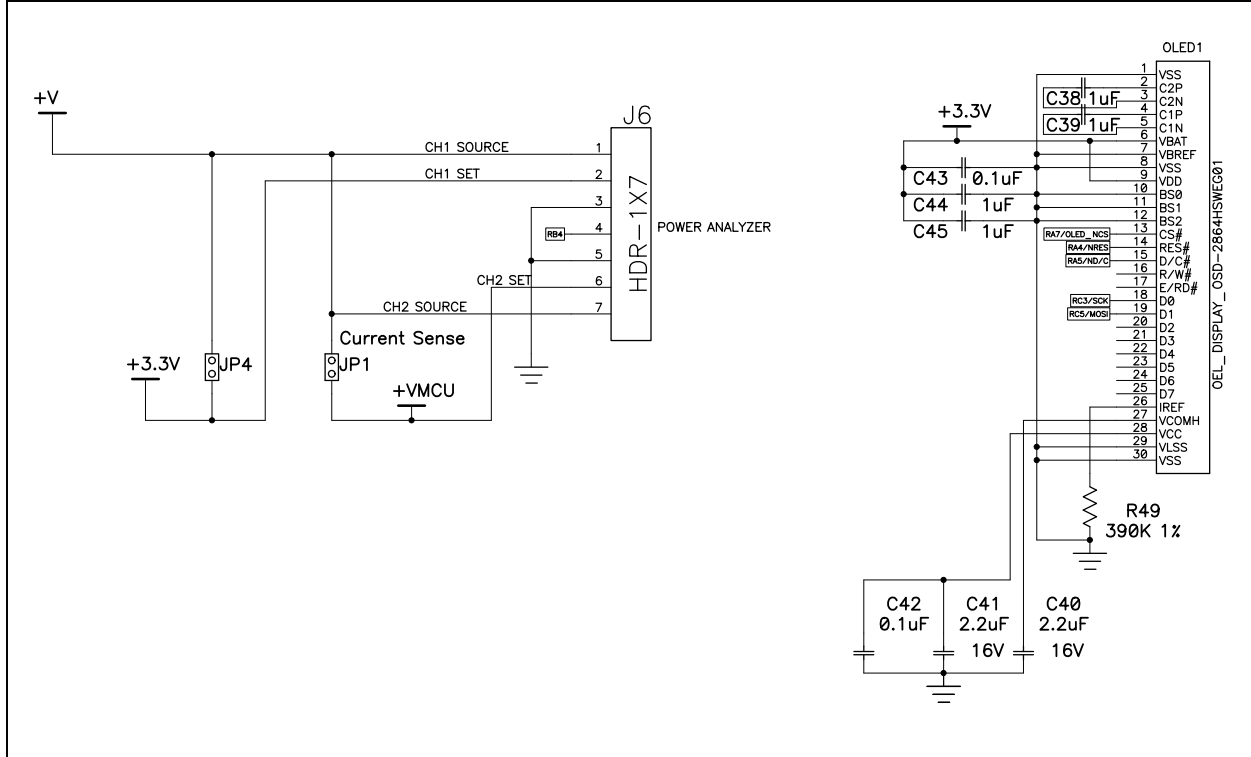


FIGURE A-5: PIC18F4XK22 DEVELOPMENT BOARD SCHEMATIC DIAGRAM (SHEET 5 OF 5)





MICROCHIP

Worldwide Sales and Service

AMERICAS

Corporate Office
2355 West Chandler Blvd.
Chandler, AZ 85224-6199
Tel: 480-792-7200
Fax: 480-792-7277
Technical Support:
<http://www.microchip.com/support>
Web Address:
www.microchip.com

Atlanta
Duluth, GA
Tel: 678-957-9614
Fax: 678-957-1455

Boston
Westborough, MA
Tel: 774-760-0087
Fax: 774-760-0088

Chicago
Itasca, IL
Tel: 630-285-0071
Fax: 630-285-0075

Cleveland
Independence, OH
Tel: 216-447-0464
Fax: 216-447-0643

Dallas
Addison, TX
Tel: 972-818-7423
Fax: 972-818-2924

Detroit
Farmington Hills, MI
Tel: 248-538-2250
Fax: 248-538-2260

Indianapolis
Noblesville, IN
Tel: 317-773-8323
Fax: 317-773-5453

Los Angeles
Mission Viejo, CA
Tel: 949-462-9523
Fax: 949-462-9608

Santa Clara
Santa Clara, CA
Tel: 408-961-6444
Fax: 408-961-6445

Toronto
Mississauga, Ontario,
Canada
Tel: 905-673-0699
Fax: 905-673-6509

ASIA/PACIFIC

Asia Pacific Office
Suites 3707-14, 37th Floor
Tower 6, The Gateway
Harbour City, Kowloon
Hong Kong
Tel: 852-2401-1200
Fax: 852-2401-3431

Australia - Sydney
Tel: 61-2-9868-6733
Fax: 61-2-9868-6755

China - Beijing
Tel: 86-10-8569-7000
Fax: 86-10-8528-2104

China - Chengdu
Tel: 86-28-8665-5511
Fax: 86-28-8665-7889

China - Chongqing
Tel: 86-23-8980-9588
Fax: 86-23-8980-9500

China - Hangzhou
Tel: 86-571-2819-3187
Fax: 86-571-2819-3189

China - Hong Kong SAR
Tel: 852-2401-1200
Fax: 852-2401-3431

China - Nanjing
Tel: 86-25-8473-2460
Fax: 86-25-8473-2470

China - Qingdao
Tel: 86-532-8502-7355
Fax: 86-532-8502-7205

China - Shanghai
Tel: 86-21-5407-5533
Fax: 86-21-5407-5066

China - Shenyang
Tel: 86-24-2334-2829
Fax: 86-24-2334-2393

China - Shenzhen
Tel: 86-755-8203-2660
Fax: 86-755-8203-1760

China - Wuhan
Tel: 86-27-5980-5300
Fax: 86-27-5980-5118

China - Xian
Tel: 86-29-8833-7252
Fax: 86-29-8833-7256

China - Xiamen
Tel: 86-592-2388138
Fax: 86-592-2388130

China - Zhuhai
Tel: 86-756-3210040
Fax: 86-756-3210049

ASIA/PACIFIC

India - Bangalore
Tel: 91-80-3090-4444
Fax: 91-80-3090-4123

India - New Delhi
Tel: 91-11-4160-8631
Fax: 91-11-4160-8632

India - Pune
Tel: 91-20-2566-1512
Fax: 91-20-2566-1513

Japan - Osaka
Tel: 81-66-152-7160
Fax: 81-66-152-9310

Japan - Yokohama
Tel: 81-45-471-6166
Fax: 81-45-471-6122

Korea - Daegu
Tel: 82-53-744-4301
Fax: 82-53-744-4302

Korea - Seoul
Tel: 82-2-554-7200
Fax: 82-2-558-5932 or
82-2-558-5934

Malaysia - Kuala Lumpur
Tel: 60-3-6201-9857
Fax: 60-3-6201-9859

Malaysia - Penang
Tel: 60-4-227-8870
Fax: 60-4-227-4068

Philippines - Manila
Tel: 63-2-634-9065
Fax: 63-2-634-9069

Singapore
Tel: 65-6334-8870
Fax: 65-6334-8850

Taiwan - Hsin Chu
Tel: 886-3-5778-366
Fax: 886-3-5770-955

Taiwan - Kaohsiung
Tel: 886-7-536-4818
Fax: 886-7-330-9305

Taiwan - Taipei
Tel: 886-2-2500-6610
Fax: 886-2-2508-0102

Thailand - Bangkok
Tel: 66-2-694-1351
Fax: 66-2-694-1350

EUROPE

Austria - Wels
Tel: 43-7242-2244-39
Fax: 43-7242-2244-393

Denmark - Copenhagen
Tel: 45-4450-2828
Fax: 45-4485-2829

France - Paris
Tel: 33-1-69-53-63-20
Fax: 33-1-69-30-90-79

Germany - Munich
Tel: 49-89-627-144-0
Fax: 49-89-627-144-44

Italy - Milan
Tel: 39-0331-742611
Fax: 39-0331-466781

Netherlands - Drunen
Tel: 31-416-690399
Fax: 31-416-690340

Spain - Madrid
Tel: 34-91-708-08-90
Fax: 34-91-708-08-91

UK - Wokingham
Tel: 44-118-921-5869
Fax: 44-118-921-5820

11/29/11